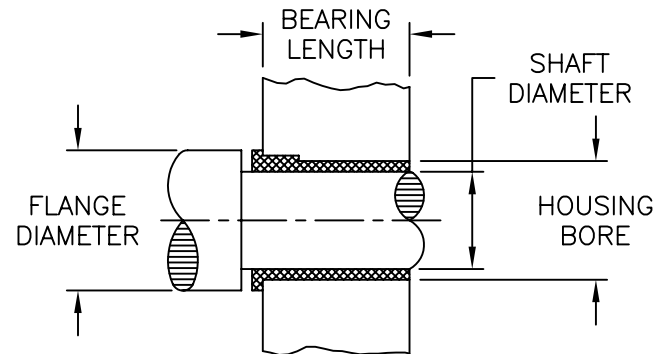
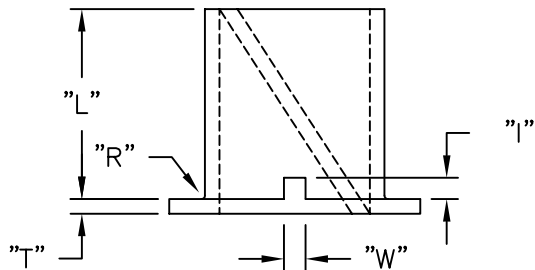


SLOTS ON FLANGE APPEAR ON PART NO. R10L5.5-A THROUGH R16L16-A ONLY

PART NO.	NOMINAL BRG. I.D.	BEARING I.D. +.001/- .000	MAXIMUM SHAFT DIAMETER	HOUSING BORE ±.0005	BEARING LENGTH "L" +.000 -1/64	RADIUS "R" MAX.	FLANGE			KEY	
							DIA. ±1/64	"T" +.000 - .005	"W" +.000 - .010	"H" +0 -1/64	"W" +0 -1/64
R3L3-A	3/16	.1885	.1875	.2345	3/16	.010	5/16	.025	1/16	1/16	
R4L4-A	1/4	.2510	.2500	.2970	1/4		13/32				
R5L5-A	5/16	.3135	.3125	.3750	5/16	.015	1/2	.030	3/32	3/32	
R5L7-A					7/16						
R5L10-A					5/8						
R6L6-A	3/8	.3760	.3750	.4375	3/8		19/32				
R6L11-A					11/16						
R7L7-A	7/16	.4385	.4375	.5000	7/16		21/32				
R8L3.5-A	1/2	.5010	.5000	.5625	7/32						
R8L5.5-A					11/32						
R8L8-A					1/2						
R8L12-A					23/32						
R10L5.5-A	5/8	.6260	.6250	.6875	11/32	15/16	1/8	1/8			
R10L7-A					7/16						
R10L10-A					5/8						
R10L14-A					7/8						
R10L18-A					1-1/8						
R12L12-A	3/4	.7510	.7500	.8125	3/4	1-1/8					
R12L18-A					1-1/8						
R14L7.5-A	7/8	.8760	.8750	.9375	15/32	1-5/16					
R14L14-A					7/8						
R16L16-A	1	1.0015+.0015	1.0000	1.0940	1	.020	1-1/2	.045	5/32	5/32	



NOTES:

1. MATERIAL: NYLON 6/6 (RMS-48).
2. COLOR: WHITE.
3. MAX. CONTINUOUS NON-LUBRICATED OPERATION: 500 RPM.

REV	DESCRIPTION	ENGR	DATE
C	UPDATED PRINT AND ADDED NOTE 3.	SM	02.25.02
B	CHANGED FILE NO. AND TITLE BLOCK	SM	11.09.01
A	SLOTS ADDED TO ISOMETRIC	PB	092394

TITLE: MODEL A: FLANGED SLEEVE BEARING W/POSITIONING KEY				DWG IN INCHES	FINAL	PRINT TYPE
TOLERANCES UNLESS NOTED .XX=±.010 .XXX=±.005 FRAC=±1/64 ANG=±1°	FILE # RXLX-A,B,C	DWN: P.B.	APP:	PART # SEE TABLE	CA	
MAT'L: SEE NOTES	RE: RICHCO, INC.	DT: 05-05-94	DT:			
RICHCO INC. PO BOX 804238, CHICAGO, 60680 (773) 539-4060						