

THIS DRAWING IS UNPUBLISHED.

RELEASED FOR PUBLICATION

© COPYRIGHT - By -

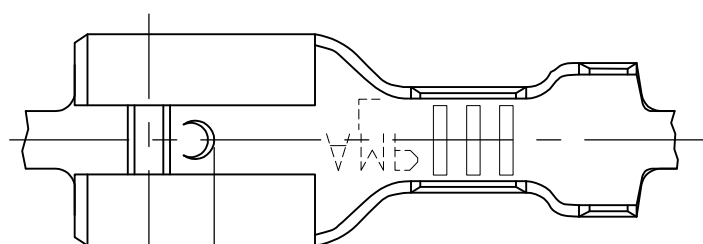
ALL RIGHTS RESERVED.

LOC AF DIST 50

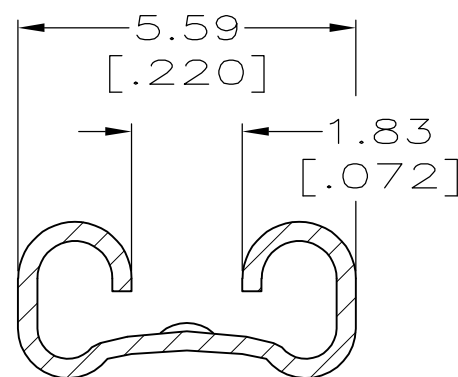
REVISIONS

P	LTR	DESCRIPTION	DATE	DWN	APVD
C		REVISED PER ECR-12-013518	24NOV12	KH	PD

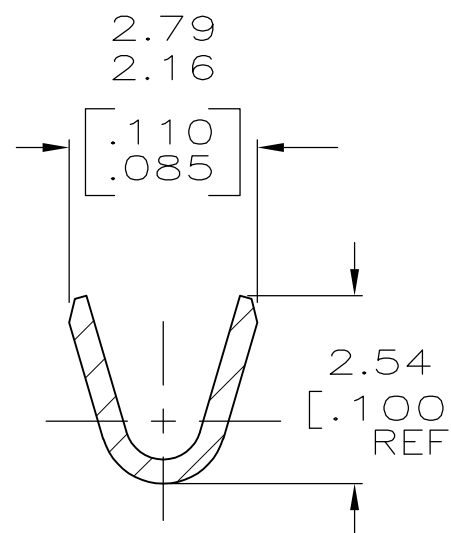
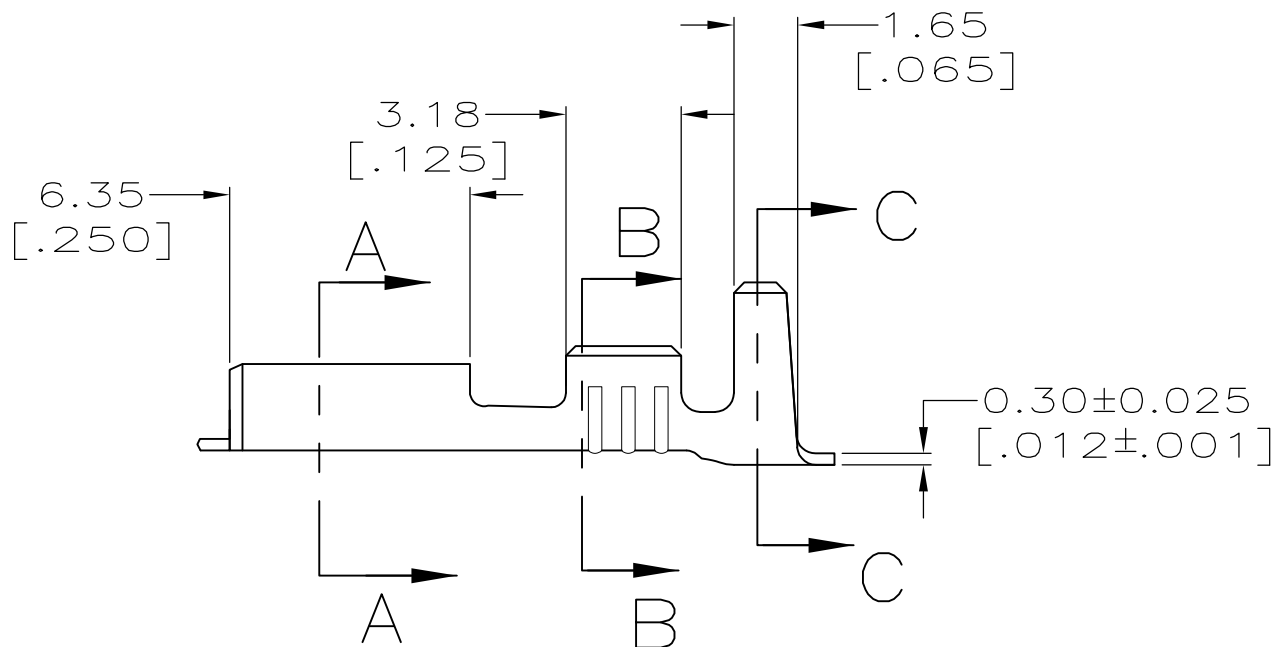
- 1 CONTINUOUS STRIP ON REELS.
- 2 WIRE SIZE [#22-#18] AWG.
- 3 INSULATION RANGE TO BE 2.29-3.81 [.090-.150] DIA.
- 4 MATING TAB THK IS 0.813±0.025 [.032±.001]



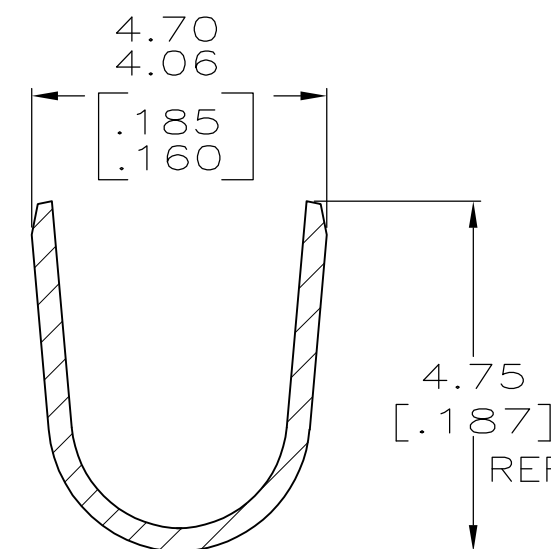
3.68
[.145]



SECTION A-A
SCALE 8:1




SECTION B-B
SCALE 10:1



SECTION C-C
SCALE 10:1

63931-1
PART NO.

THIS DRAWING IS A CONTROLLED DOCUMENT.		DWN JR RUTH 9/16/96	 TE Connectivity				
DIMENSIONS: mm [INCHES]		CHK MS FEHER 9/16/96					
TOLERANCES UNLESS OTHERWISE SPECIFIED:		APVD P DESANTIS 9/16/96	NAME				
0 PLC ± - 1 PLC ± - 2 PLC ± 0.25 [.010] 3 PLC ± - 4 PLC ± - ANGLES ± -		PRODUCT SPEC	RECEPTACLE, FASTON, 4.75 [.187] SERIES				
MATERIAL BRASS		FINISH TIN	APPLICATION SPEC	SIZE	CAGE CODE	DRAWING NO	RESTRICTED TO
				A3	00779	C-63931	-
CUSTOMER DRAWING			WEIGHT -	SCALE 5:1	SHEET 1 OF 1	REV C	