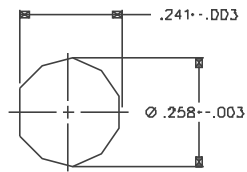


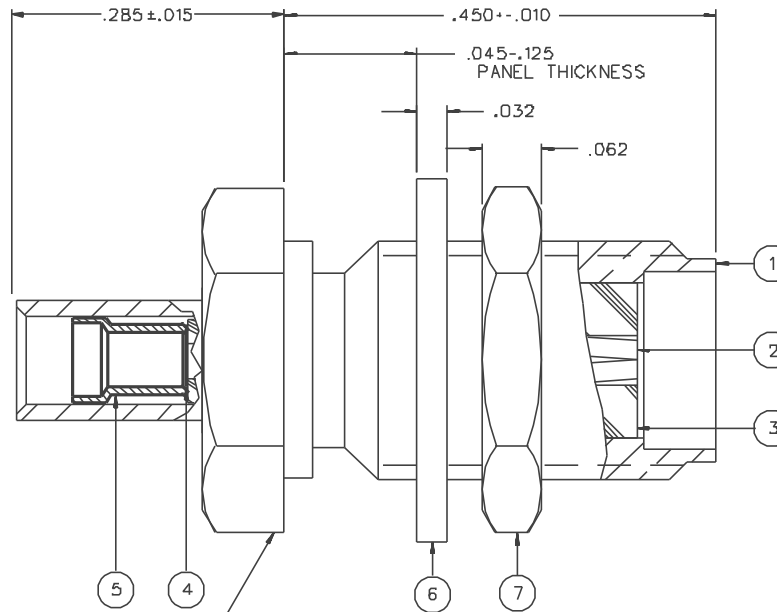
PART NUMBER	ITEM ① BODY	ITEM ② CONTACT	ITEM ③ INSULATOR	ITEM ④ INSULATOR	ITEM ⑤ CRIMP INSERT	ITEM ⑥ WASHER	ITEM ⑦ NUT
142-0302-431	BRASS GOLD PL .00001 MIN OVER NICKEL PL .00005 MIN OVER COPPER PL .00005 MIN	BERYLLIUM COPPER GOLD PL .00005 MIN OVER NICKEL PL .00005 MIN OVER COPPER PL .00005 MIN	TEFLON	TEFLON	COPPER GOLD PL .00001 MIN OVER NICKEL PL .00005 MIN OVER COPPER PL .00005 MIN	BRASS GOLD PL .00001 MIN OVER NICKEL PL .00005 MIN OVER COPPER PL .00005 MIN	BRASS GOLD PL .00001 MIN OVER NICKEL PL .00005 MIN OVER COPPER PL .00005 MIN
142-0302-436	BRASS NICKEL PL .0001 MIN OVER COPPER PL .00005 MIN	BERYLLIUM COPPER GOLD PL .00005 MIN OVER NICKEL PL .00005 MIN OVER COPPER PL .00005 MIN	TEFLON	TEFLON	COPPER NICKEL PL .0001 MIN OVER COPPER PL .00005 MIN	BRASS NICKEL PL .0001 MIN OVER COPPER PL .00005 MIN	BRASS NICKEL PL .0001 MIN OVER COPPER PL .00005 MIN

DRAWING NO. C - 142-0302-431/440			
0 REVISIONS			
ENGINEERING RELEASE			
1	9-2-97	R	9-4-97 ECN 44893
CHANGED: STRIP DIMENSIONS .261±.010 & .095±.010 WERE .249±.010 & .085±.010			
* REVISION NUMBER FOLLOWED BY AN ALPHA *			
* CHARACTER INDICATES DRAWING CLASS *			
* CATION OR PART NUMBER ADDITION ONLY *			
10	10-15-97	R	45064 ECN 45064

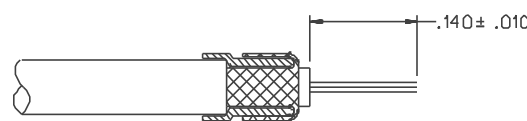
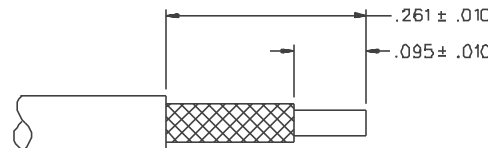


MOUNTING HOLE

4:1



2X HEX .312



CABLE STRIP DIMENSIONS

8:1

NOTES:

1. SPECIFICATIONS:

IMPEDANCE: 50 OHMS
 FREQUENCY RANGE: D-12.4 GHz
 VSWR: 1.20-.025 F MAX (F IN GHz)
 WORKING VOLTAGE: 170 VRMS MAX AT SEA LEVEL
 DIELECTRIC WITHSTANDING VOLTAGE: 500 VRMS MIN AT SEA LEVEL
 INSULATION RESISTANCE: 5000 MEGOHM MIN
 CONTACT RESISTANCE:

CENTER CONTACT - INITIAL 3.0 MILLIOHM MAX. AFTER ENVIRONMENTAL 4.0 MILLIOHM MAX

OUTER CONDUCTOR - INITIAL 2.0 MILLIOHM MAX AFTER ENVIRONMENTAL NOT APPLICABLE

BODY TO CABLE - 0.5 MILLIOHM MAX (GOLD PLATED)
 5.0 MILLIOHM MAX (NICKEL PLATED)

CORONA LEVEL: 125 VOLTS MIN AT 70.000 FEET
 INSERTION LOSS: .06√ F MAX (F IN GHz) AT 6 GHz
 RF LEAKAGE: -80 DB MIN AT 2 TO 3 GHz
 RF HIGH POTENTIAL WITHSTANDING VOLTAGE: 335 VRMS MIN AT 5 TO 7.5 MHZ

MECHANICAL:

ENGAGE/DISENGAGE TORQUE: 2 INCH-POUNDS MAX
 MATING TORQUE: 7-10 INCH POUNDS
 COUPLING PROOF TORQUE: NOT APPLICABLE
 COUPLING NUT RETENTION: NOT APPLICABLE
 CONTACT RETENTION: 6 LBS MIN AXIAL FORCE
 CABLE ACCEPTABILITY: RG-178/U, RG-196/U
 CABLE HEX CRIMP SIZE: .105
 CONTACT CRIMP TOOL: MIL M22520/1-01
 CABLE RETENTION: 10 LBS MIN AXIAL FORCE
 DURABILITY: 500 CYCLES MIN

ENVIRONMENTAL:


(MEETS OR EXCEEDS THE APPLICABLE PARAGRAPH OF MIL-C-39012)
 THERMAL SHOCK: MIL-STD-202, METHOD 107, CONDITION B, EXCEPT 85° C HIGH TEMP.
 OPERATING TEMPERATURE: -65 DEG C TO 165 DEG C
 CORROSION: MIL-STD-202, METHOD 101, CONDITION B
 SHOCK: MIL-STD-202, METHOD 213, CONDITION I
 VIBRATION: MIL-STD-202, METHOD 204, CONDITION D
 MOISTURE RESISTANCE: MIL-STD-202, METHOD 106

CUSTOMER DRAWING

THIS DRAWING TO BE INTERPRETED PER ANSI Y 14.5M - 1982

"μSTATION"

COMPANY CONFIDENTIAL

TOLERANCE UNLESS OTHERWISE SPECIFIED	DRAWN BY TAK	DATE 4-11-97	 <small>Cinch Connectivity Solutions 299 Johnson Ave. Ste. 100 Waukegan, MN 55093 1-800-247-8256</small>	
DECIMALS .XX	CHECKED BY	DATE	TITLE JACK ASSEMBLY, STRAIGHT CABLED BULKHEAD SMA, RG 178	
.XXX REF	APPROVED BY TAK	DATE 9-2-97	CODE NO.	DRAWING NO. C - 142-0302-431/440
MATL	APPROVED BY RJB	DATE 9-3-97	SCALE 10:1	U/W INCH SHEET 2 OF 2
FINISH	RELEASE DATE	9-4-97		