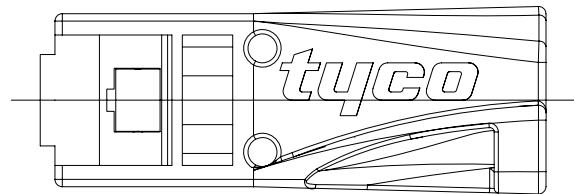
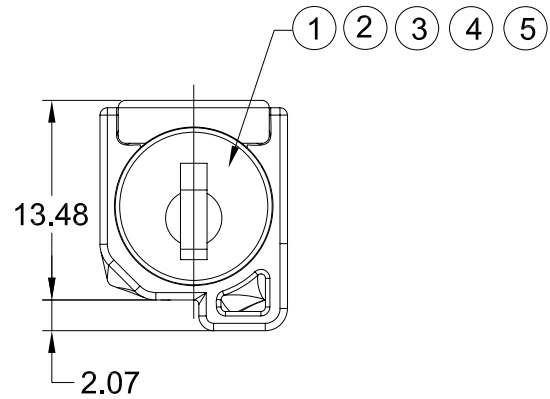
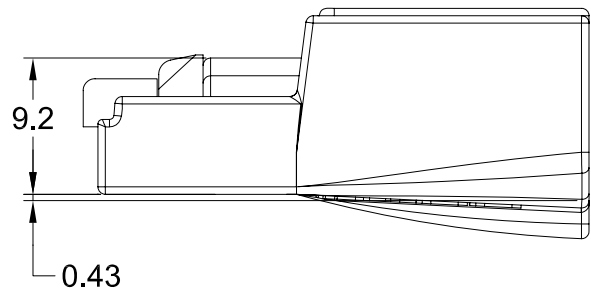
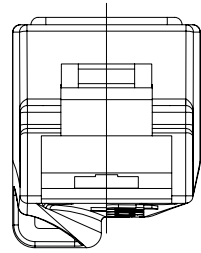
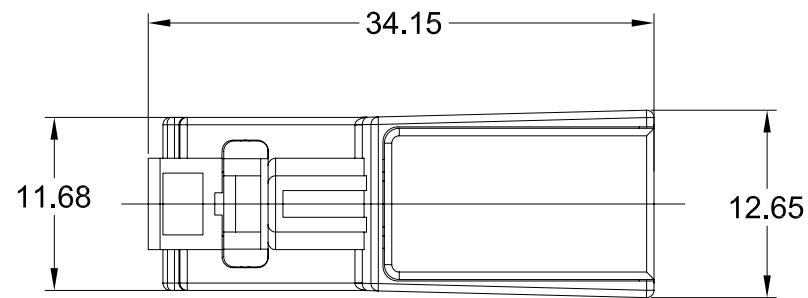


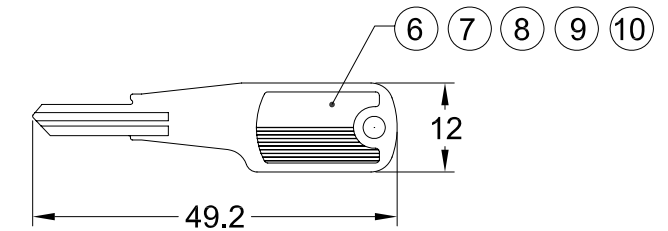
THIS DRAWING IS UNPUBLISHED. RELEASED FOR PUBLICATION  
 © COPYRIGHT - By - ALL RIGHTS RESERVED.

LOC	DIST	REVISIONS					
		P	LTR	DESCRIPTION	DATE	DWN	APVD
J	-	C		ECR-11-003229	15FEB2011	C.C	K.K
		D		ECR-11-023990	13FEB2012	J.C	K.K



KEY PLUG WEIGHT 8.3g

NOTE  
 1. Manufactured and provided by Tomei Tsushin Kogyo Co., Ltd.  
 2. MATERIAL : PLUG HOUSING-PC+ABS(V-0), ROTER UNIT-ZINC ALLOY CHROME PLATE, KEY-BRASS NICHEL PLATE  
 3. KEY-TYPE OF SECURITY PLUG SET: 1871456-1-RANDAM NO.T800 ~T899, 1871456-2-NO.456A, 2-1871456-2-NO.456B, 3-1871456-2-NO.456C, 4-1871456-2-NO.456D.  
 4. 1871456-1, 1871456-2, 2-1871456-2, 3-1871456-2, 4-1871456-2 WITH 2 KEYS  
 5. PART NUMBER FOR SPARE KEY ITSELF AVAILABLE :1871456-4-NO.456A,2-1871456-4-NO.456B, 3-1871456-4-NO.456C,4-1871456-4-NO.456D.  
 6. PART NUMBER FOR SECURITY KEY PLUG ITSELF AVAILABLE : 1871456-3-NO.456A, 2-1871456-3-NO.456B, 3-1871456-3-NO.456C, 4-1871456-4-NO.456D.



TWO KEYS WEIGHT 9.8g

Q'TY	4--4	4--3	4--2	3--4	3--3	3--2	2--4	2--3	2--2	-4	-3	-2	-1	NAME	ITEM NO
1	-	2	-	-	-	-	-	-	-	-	-	-	-	KEY TYPE NO.456D P/N:4-1871456-4	10
-	-	-	1	-	2	-	=	-	-	-	-	-	-	KEY TYPE NO.456C P/N:3-1871456-4	9
-	-	-	-	-	-	1	-	2	-	-	-	-	-	KEY TYPE NO.456B P/N:2-1871456-4	8
-	-	-	-	-	-	-	-	-	1	-	2	-	-	KEY TYPE NO.456A P/N:1871456-4	7
-	-	-	-	-	-	-	-	-	-	-	-	2	-	KEY TYPE RANDAM NO.T800~T899	6
-	1	1	-	-	-	-	-	-	-	-	-	-	-	ROTER UNIT NO.456D	5
-	-	-	-	1	1	-	-	-	-	-	-	-	-	ROTER UNIT NO.456C	4
-	-	-	-	-	-	-	1	1	-	-	-	-	-	ROTER UNIT NO.456B	3
-	-	-	-	-	-	-	-	-	-	1	1	-	-	ROTER UNIT NO.456A	2
-	-	-	-	-	-	-	-	-	-	-	-	1	-	ROTER UNIT RANDAM NO.T800~T899	1

THIS DRAWING IS A CONTROLLED DOCUMENT.

DWN: C. Chen 23FEB2011  
 CHK: A. Yushiro 23FEB2011  
 APVD: K. Kurose 23FEB2011

DIMENSIONS: mm  
 TOLERANCES UNLESS OTHERWISE SPECIFIED:  
 0 PLC ± -  
 1 PLC ± -  
 2 PLC ± -  
 3 PLC ± -  
 4 PLC ± -  
 ANGLES ± -

MATERIAL: - FINISH: -

TE Connectivity  
 SECURITY KEY PLUG

SIZE: A3 CAGE CODE: 00779 DRAWING NO: C=1871456 RESTRICTED TO: -  
 WEIGHT: -  
 CUSTOMER DRAWING SCALE: 1:1 SHEET: 1 of 2 REV: D

THIS DRAWING IS UNPUBLISHED.

RELEASED FOR PUBLICATION

-. - .

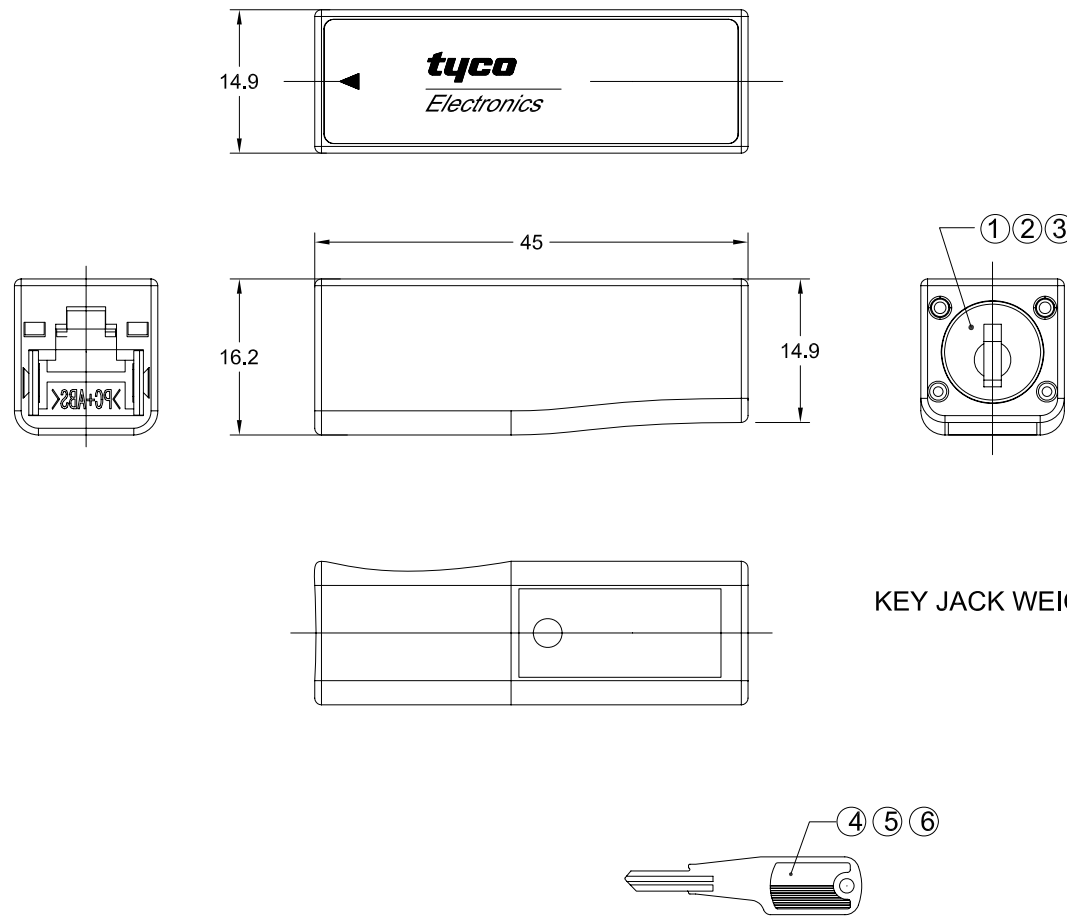
© COPYRIGHT - By -

ALL RIGHTS RESERVED.

LOC	DIST	REVISIONS					
J	-	P	LTR	DESCRIPTION	DATE	DWN	APVD
		-		SEE SHEET 1	-	-	-

NOTE

- 1 Manufactured and provided by Tomei Tsushin Kogyo Co., Ltd.
- 2 MATERIAL : JACK HOUSING-PC+ABS(V-0), ROTER UNIT-ZINC ALLOY CHROME PLATE, KEY-BRASS NICHEL PLATE
- 3 KEY-TYPE OF SECURITY JACK SET: 1-1871456-1-RANDAM NO.T800 ~T899, 1-1871456-2-NO.456A, 1-1871456-4-NO.456B
- 4 1-1871456-1, 1-1871456-2, 1-1871456-4 WITH 2 KEYS
- 5 PART NUMBR FOR SPARE KEY ITSELF AVAILABLE : 1871456-4-NO.456A, 2-1871456-4-NO.456B
- 6 PART NUMBER FOR SECURITY KEY JACK ITSELF AVAILABLE : 1-1871456-3-NO.456A, 1-1871456-5-NO.456B



KEY JACK WEIGHT 11.9g

TWO KEYS WEIGHT 9.8g

-	2	-	-	-	KEY TYPE NO.456B P/N:2-1871456-4	6
-	-	-	2	-	KEY TYPE NO.456A P/N:1871456-4	5
-	-	-	-	2	KEY TYPE RANDAM NO.T800~T899	4
1	1	-	-	-	ROTER UNIT NO.456B	3
-	-	1	1	-	ROTER UNIT NO.456A	2
-	-	-	-	1	ROTER UNIT RANDAM NO.T800~T899	1
1--5	1--4	1--3	1--2	1--1	NAME	ITEM NO
Q'TY					PART LIST	

THIS DRAWING IS A CONTROLLED DOCUMENT.		DWN	23FEB2011		<b>STE</b> TE Connectivity	
		CHK	23FEB2011			
DIMENSIONS: mm		TOLERANCES UNLESS OTHERWISE SPECIFIED:		NAME		
		0 PLC	± -	SECURITY KEY JACK		
		1 PLC	± -	-		
MATERIAL		2 PLC	± -	APPLICATION SPEC		
		3 PLC	± -	-		
FINISH		4 PLC	± -	WEIGHT		
		ANGLES	± -	A3 00779 C=1871456		
				SCALE 1:1		SHEET 2 of 2
		CUSTOMER DRAWING		REV D		