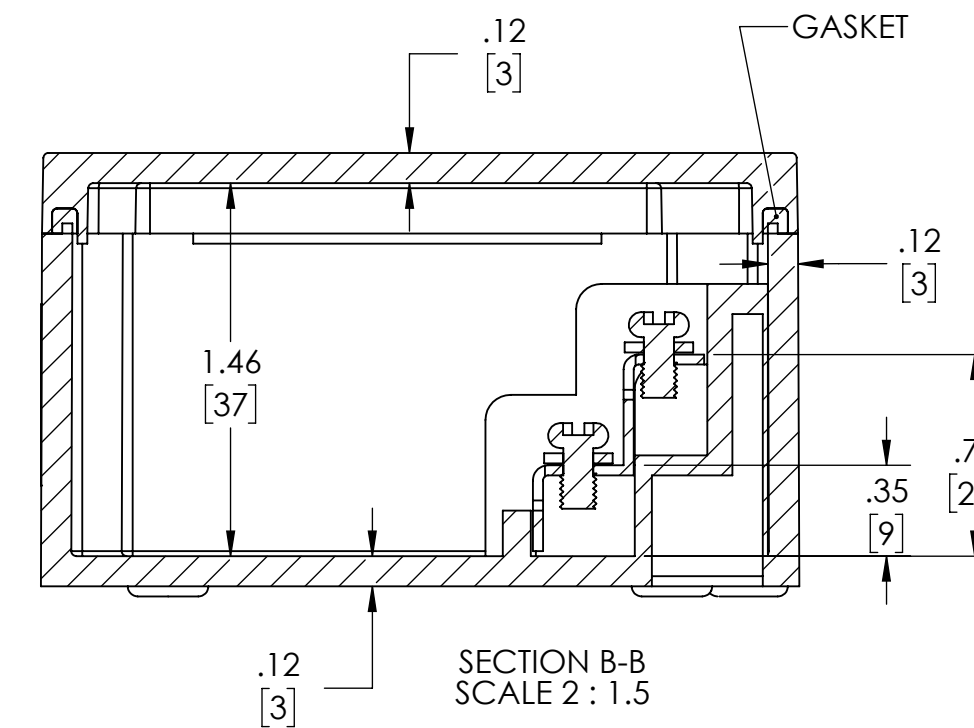
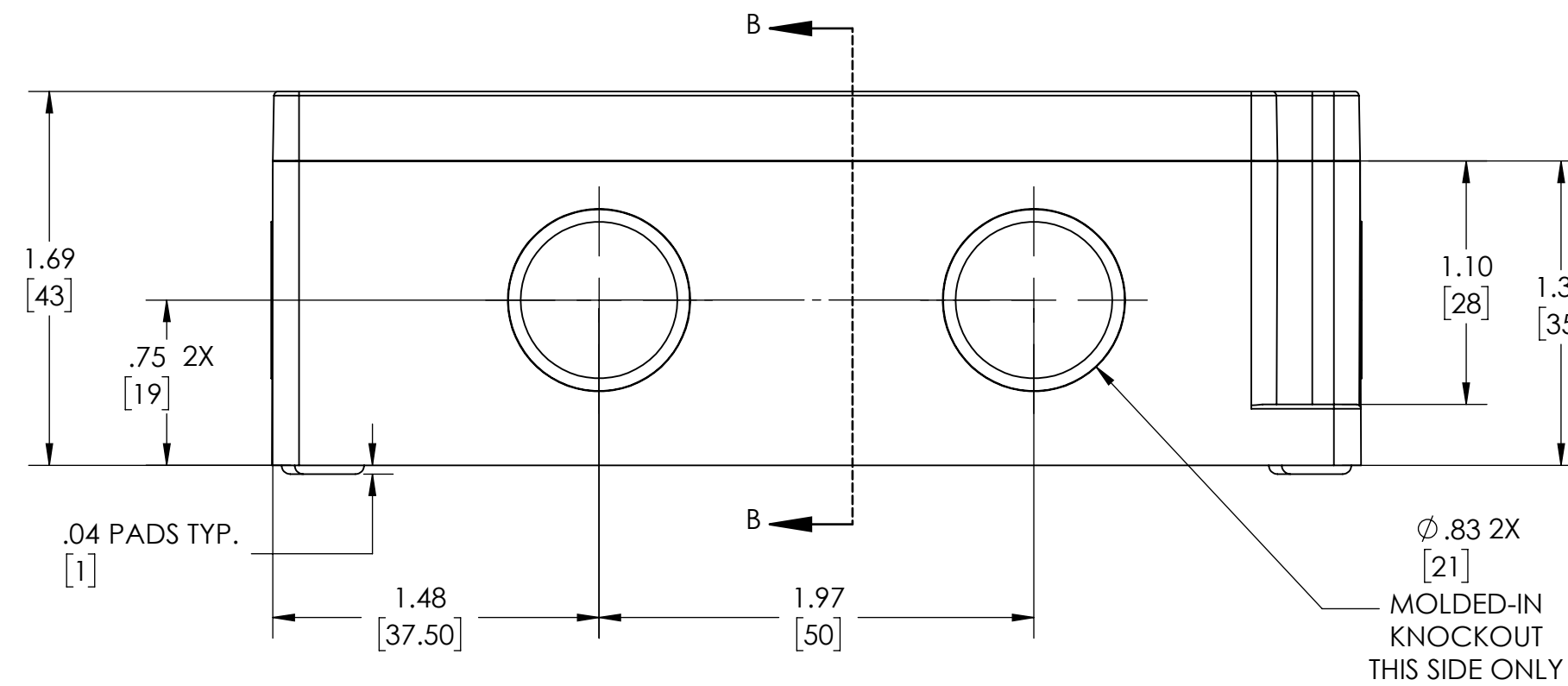
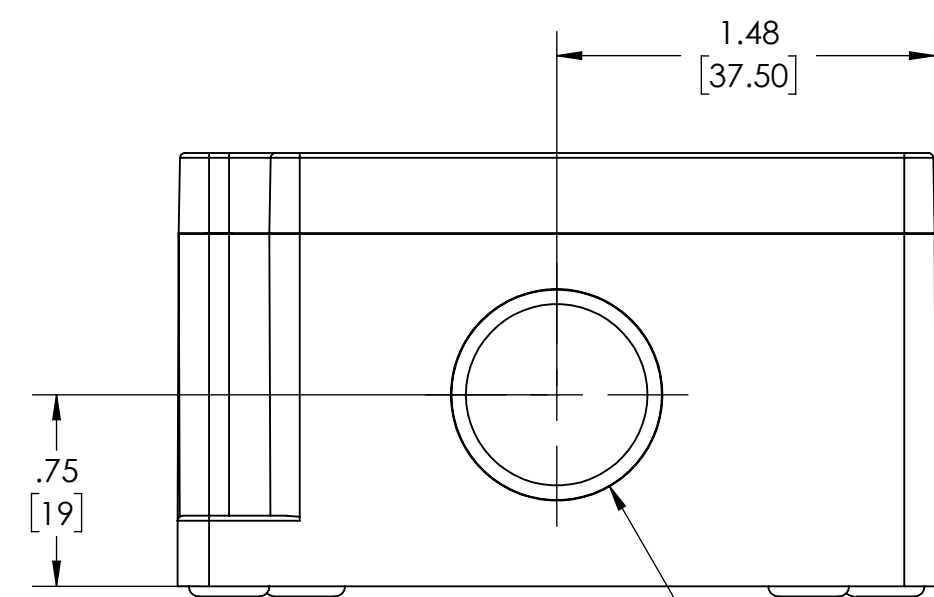
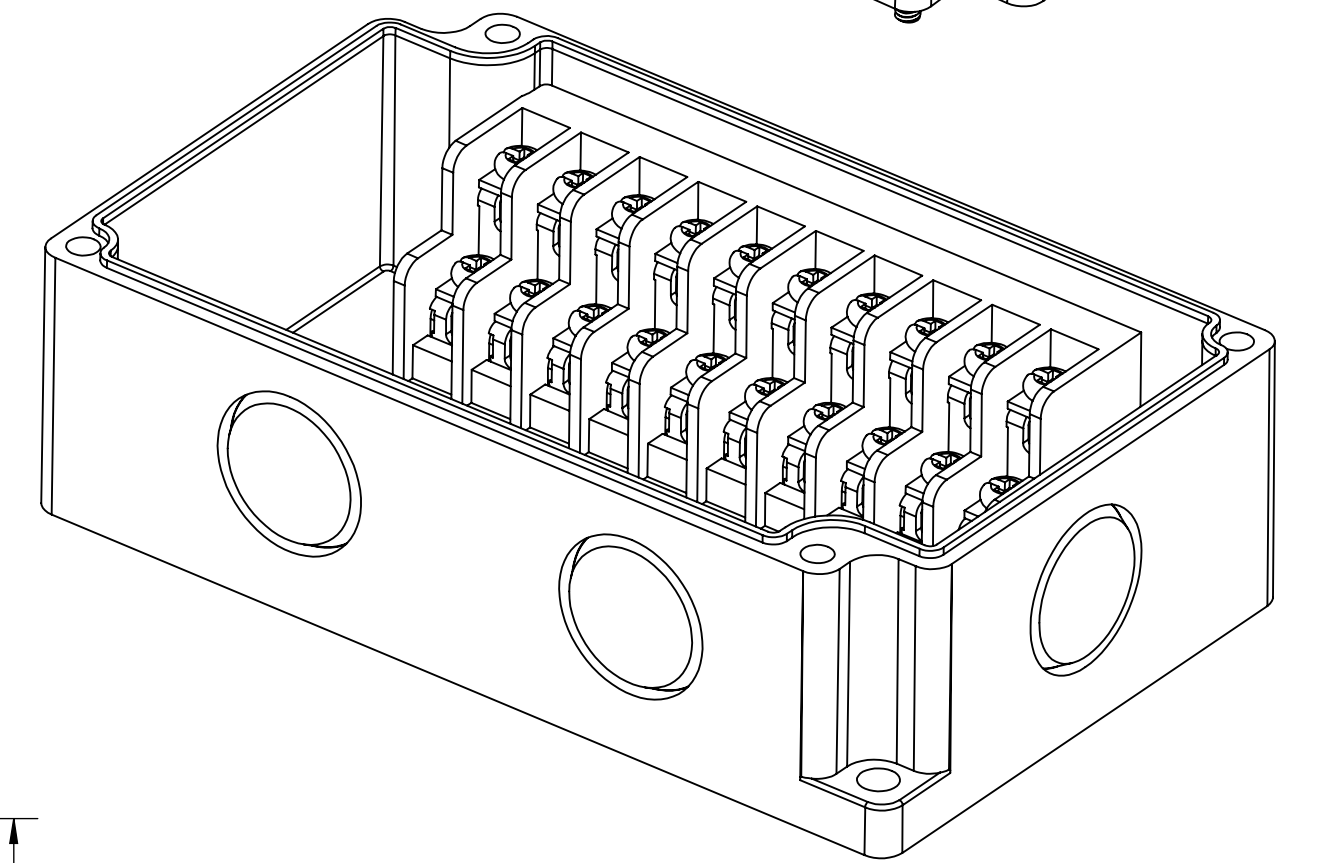
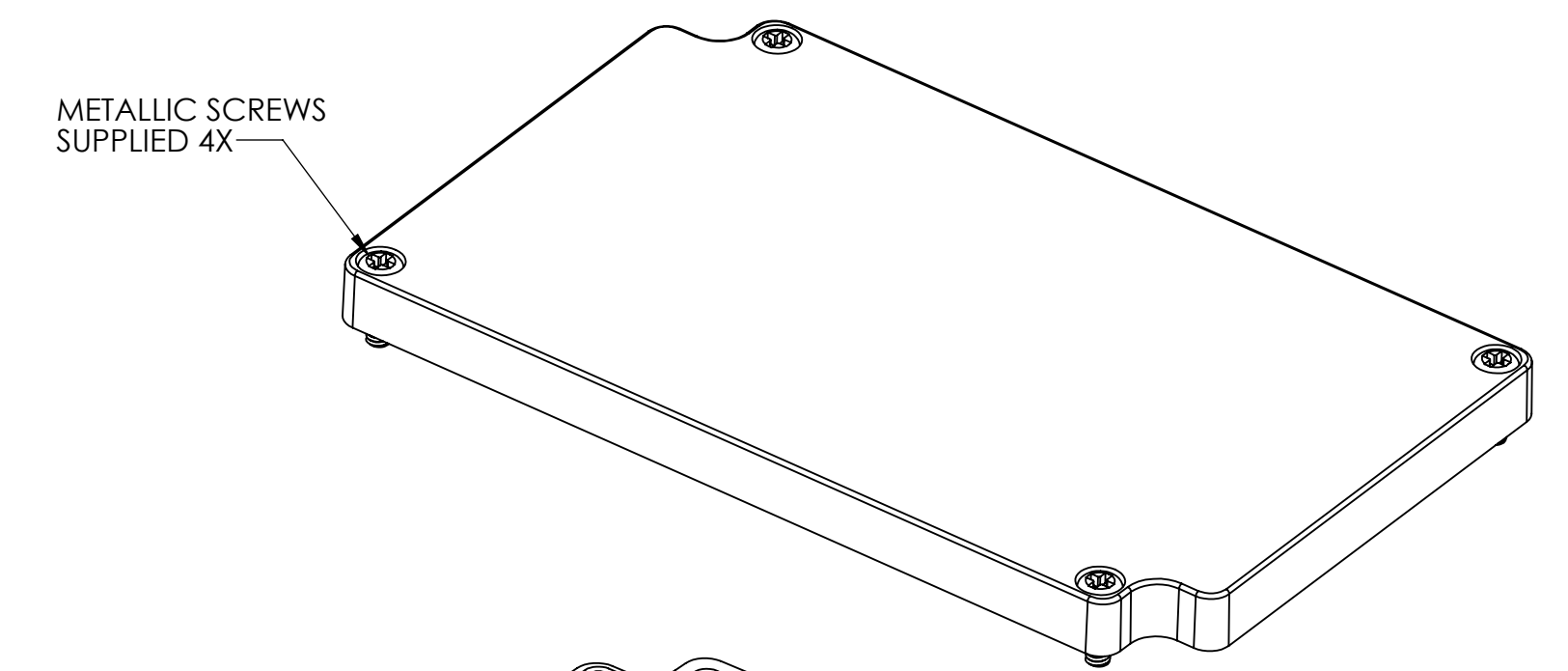
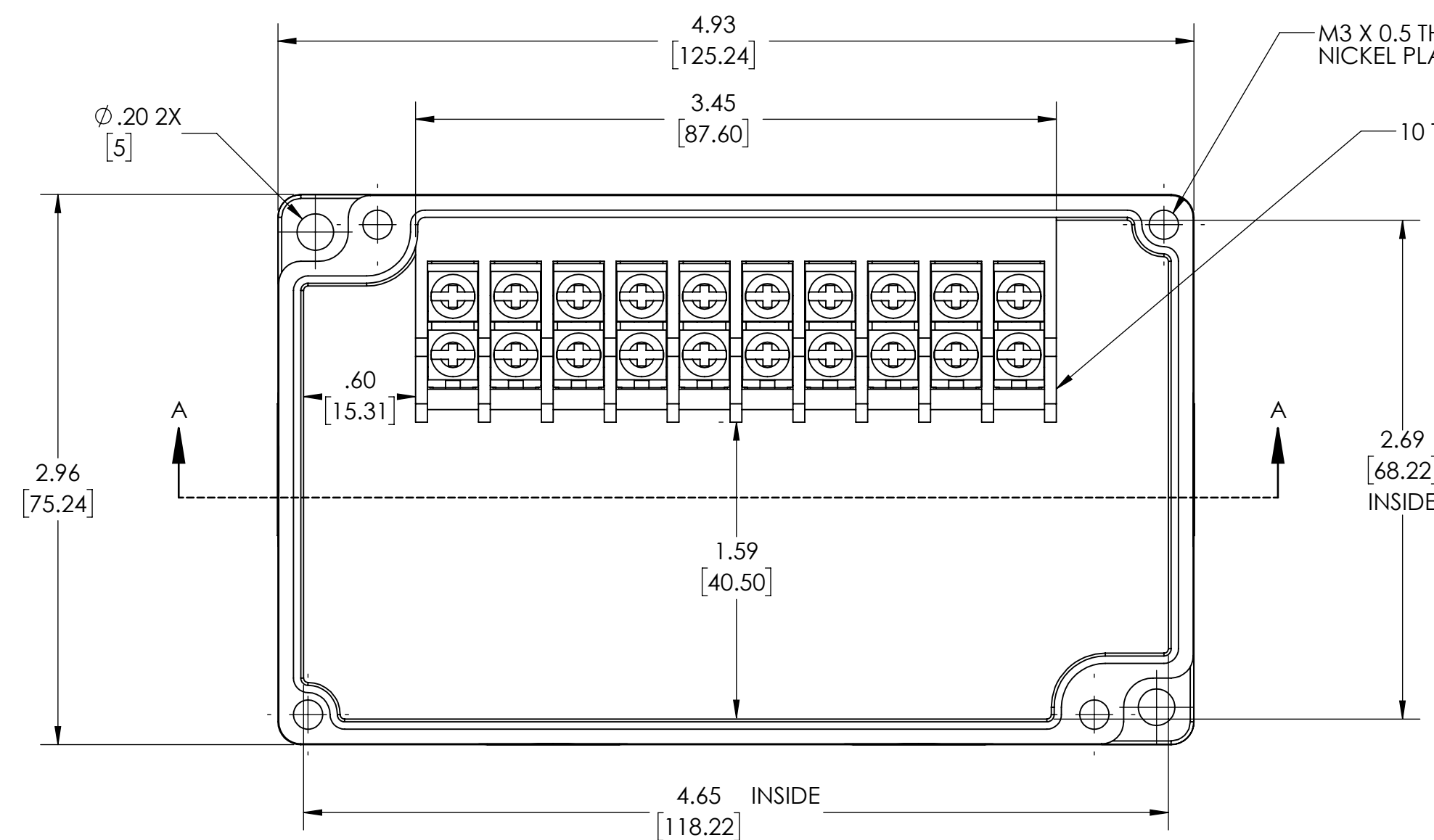
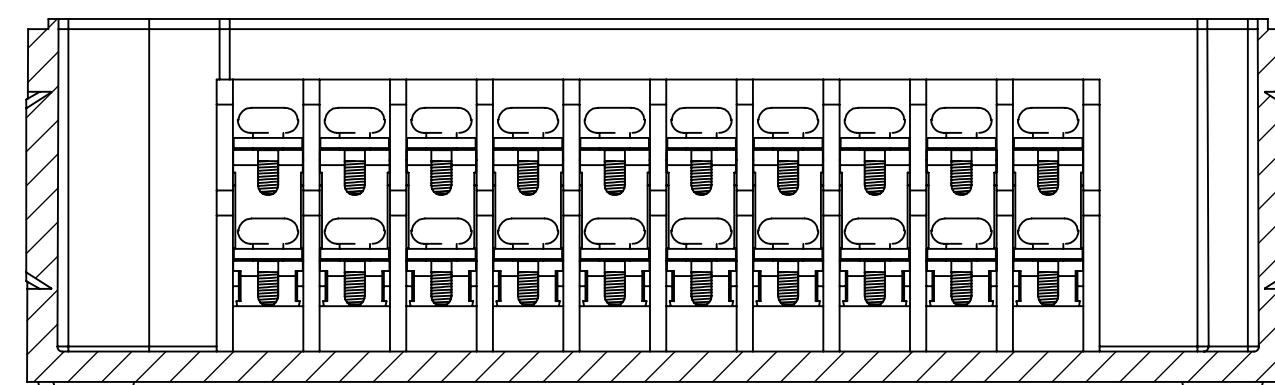
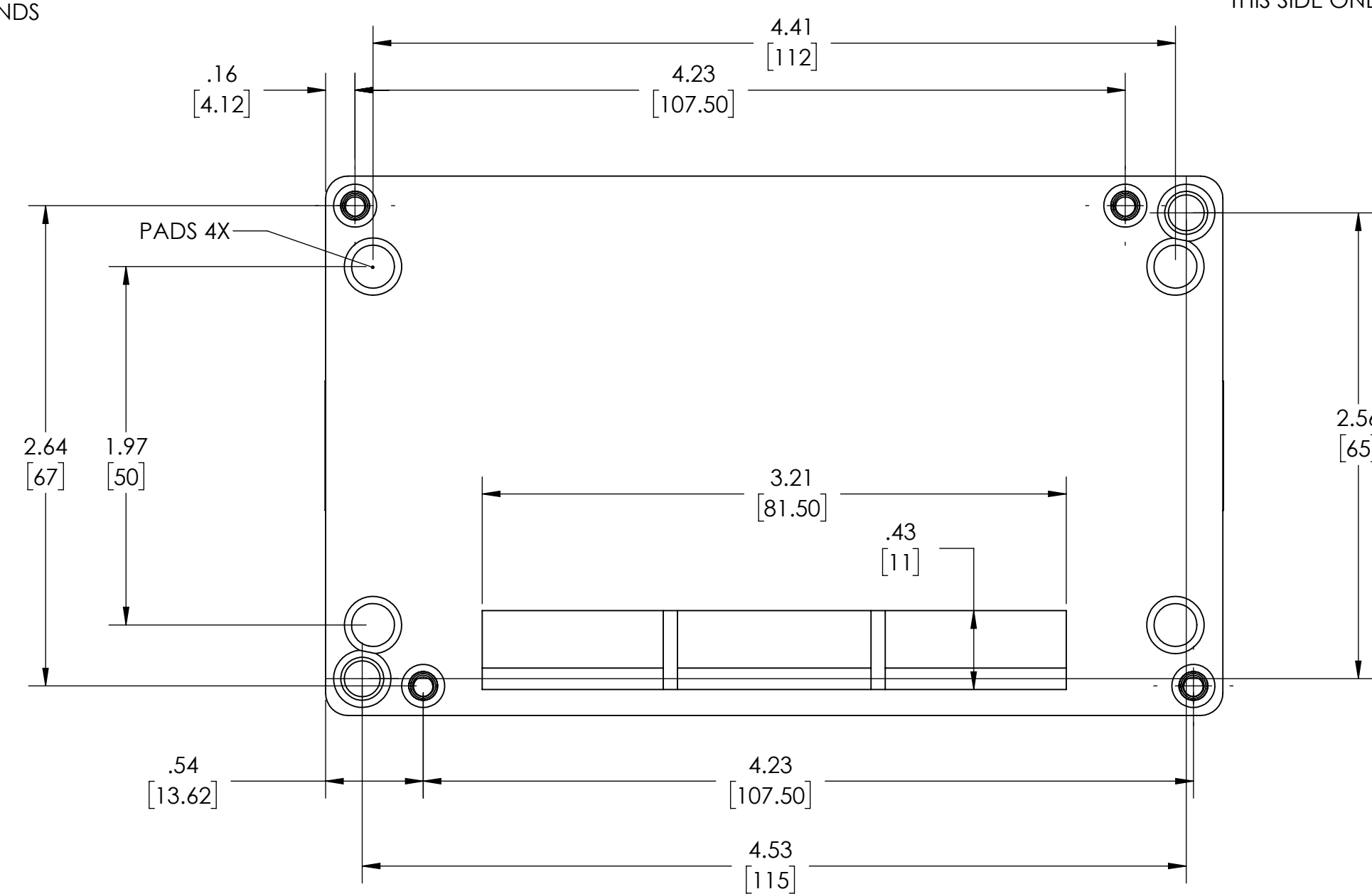


DRAWING FOR REFERENCE
 WE RESERVE THE RIGHT TO MAKE CHANGES TO OUR
 STANDARD PRODUCTS. PLEASE CONSULT WITH BUD INDUSTRIES
 PRIOR TO USING THIS DRAWING FOR DESIGN PURPOSE.



- NOTES:
- 1- MATERIAL: BODY - GRAY ABS UL94 V-0
COVER - GRAY ABS OR CLEAR (-C SUFFIX) POLYCARBONATE
 - 2- HIGH IMPACT RESISTANCE IK 07/08
 - 3- TUV RATING IP66/67
 - 4- CONTINUOUS Poured GASKET IN COVER
 - 5- COVER ATTACHES WITH STAINLESS STEEL M3 X 0.5 SCREWS SUPPLIED
 - 6- TEMPERATURE RANGE -40° ~ +70° F.
 - 7- TERMINAL FEATURES:
SURFACE TREATED STEEL TERMINAL SCREWS
RATED INSULATION VOLTAGE 400V
RATED IMPULSE VOLTAGE 4KV
RATED CURRENT CAPACITY .75mm² - 1.5mm²
 - 8- DIMENSIONS ARE INCH [MM]
 - 9- OPTIONAL EXTERNAL MOUNTING BRACKETS NOT INCLUDED,
PART NUMBERS NBX-10922 & PIX-4117



SECTION A-A
 SCALE 2 : 1.5

