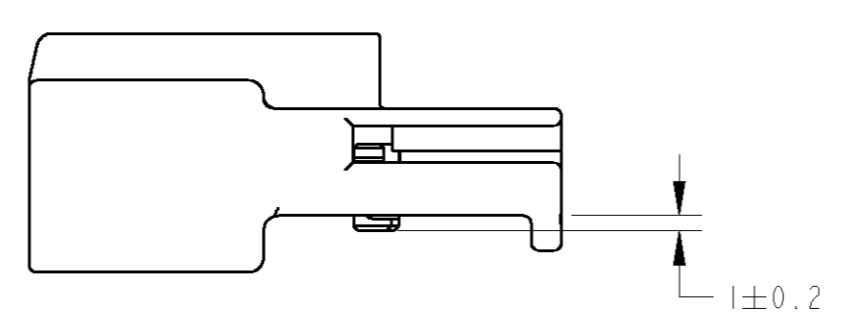
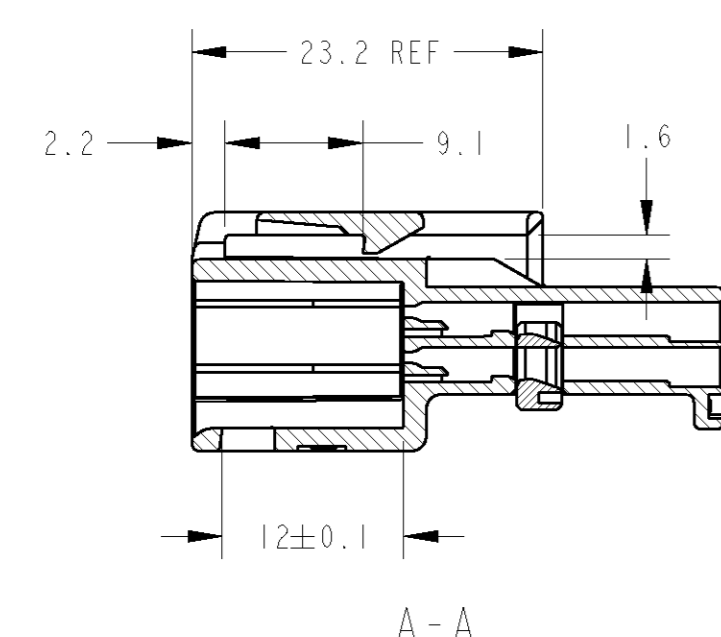
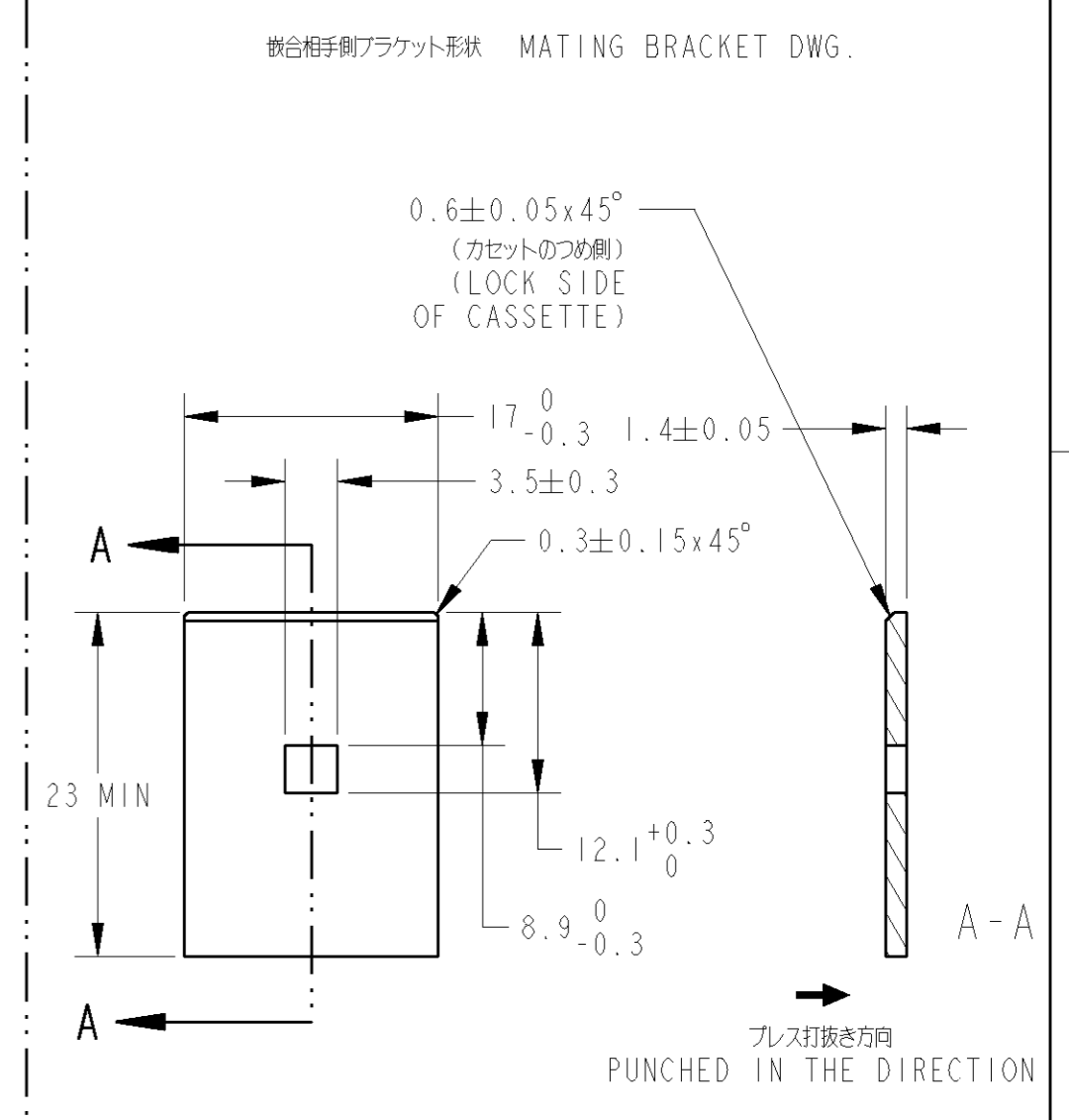
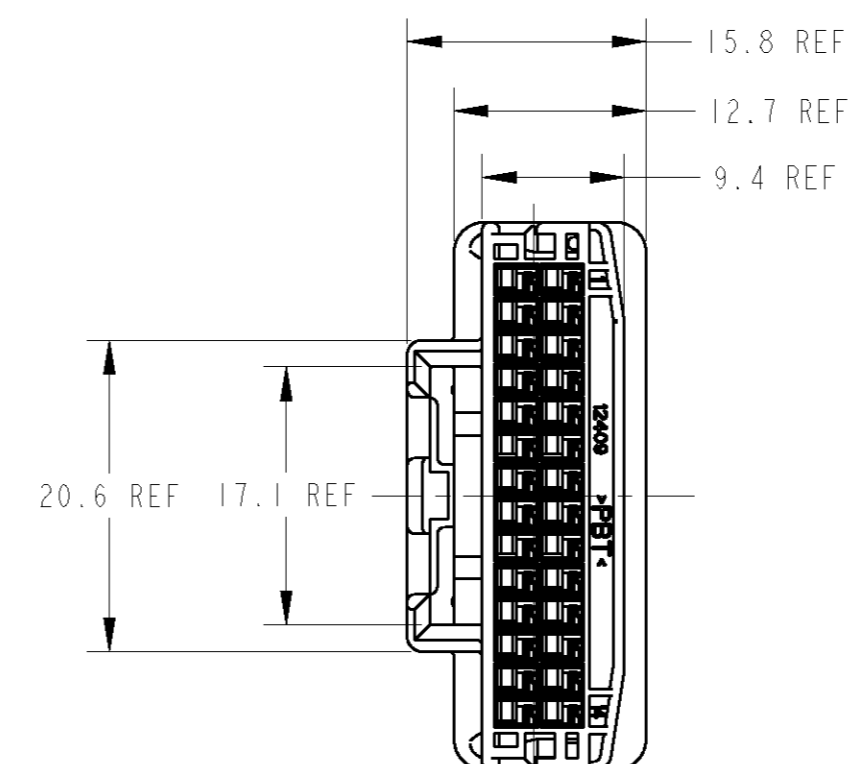
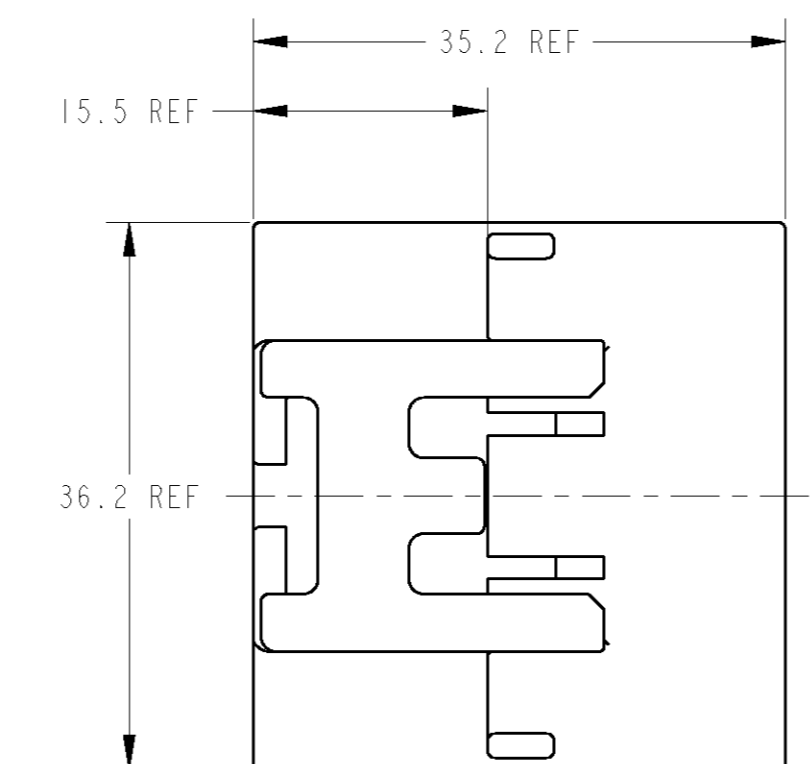
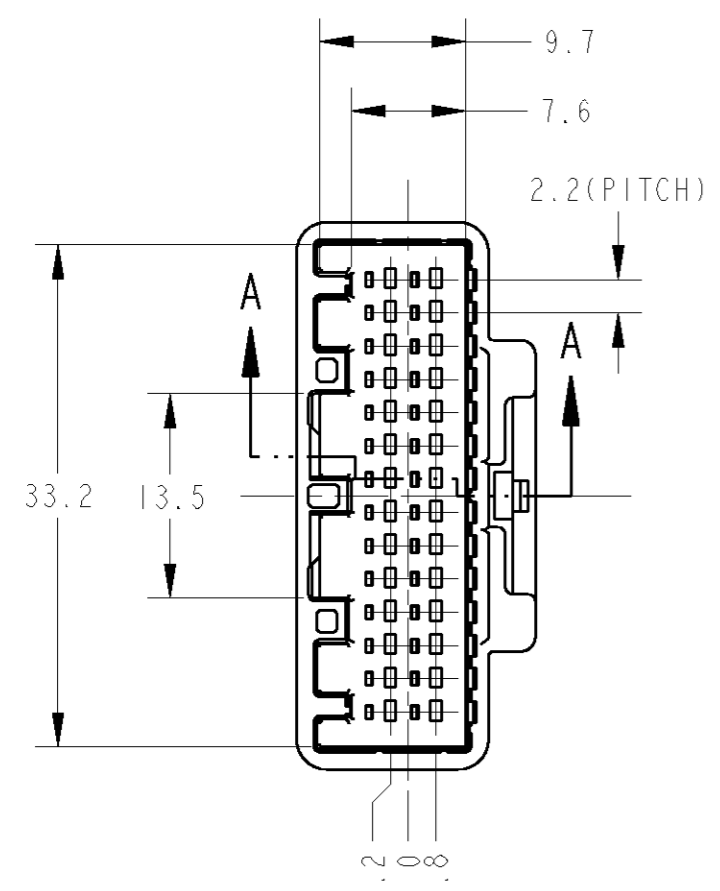


LOC	DIST	REVISIONS					
		P	LTR	DESCRIPTION	DATE	DWN	APVD
J		0		RELEASED	FJA0-0255-03	01MAY03	KF KA



1. プラグハウジングリテーナーを仮係止して出荷される。
  2. 仮係止時リテーナーがハウジングの外側に突出していること。
  3. リテーナーの仮係止保持力は、30N以上
  4. 取扱説明書No : 411-5996
  5. 嵌合相手型番は TABLE-1参照
  6. 本製品の適応端子は TABLE-2参照
1. RETAINER SHOULD BE SET TO THE PRE-ASSEMBLY POSITION WITHIN THE PLUG HOUSING WHEN SHIPPED TO THE CUSTOMER.
  2. THE RETAINER MUST BE OUT SIDE OF PLUG HOUSING WHEN PRE-ASSEMBLY.
  3. RETAINER RETENTION FORCE FROM HOUSING : 30N MIN
  4. INSTRUCTION SHEET NO : 411-5996
  5. PART NUMBER OF PLUG HOUSING TO BE MATED : SEE TABLE-1
  6. APPLIED TERMINAL OF THIS PART : SEE TABLE-2

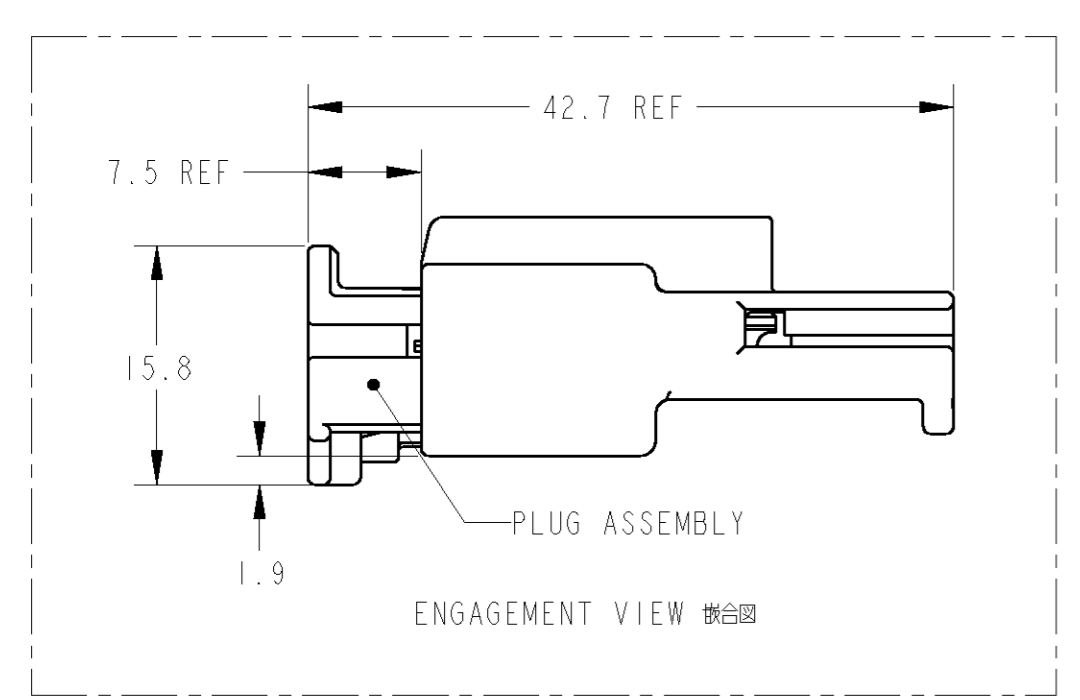


TABLE-1

POS 極数	DESCRIPTION	PLUG ASSEMBLY PART NO. プラグ 型番
28	CRIMP	1565380-1

TABLE-2

SIGNAL	TIN	POS 極数	APPLIED TERMINAL 適応端子		APPLICABLE WIRE RANGE 適応電線
			DESCRIPTION	AMP P/N	
025		28	CRIMP	1376109-1	AVSS/CAVUS 0.3~0.5mm <sup>2</sup> AVSSH-f 0.3~0.5mm <sup>2</sup> CAVS 0.22~0.5mm <sup>2</sup>
				IDC	1473818-1
			1565406-1		WIRE RANGE : 0.22mm <sup>2</sup> INSULATION DIA : 0.8~1.2mm

THIS DRAWING IS A CONTROLLED DOCUMENT FOR TYCO ELECTRONICS CORPORATION. IT IS SUBJECT TO CHANGE AND THE CONTROLLING ENGINEERING ORGANIZATION SHOULD BE CONTACTED FOR THE LATEST REVISION.

DIMENSIONS: mm	TOLERANCES UNLESS OTHERWISE SPECIFIED: 一般公差: ±0.3 ±0.5 ±0.13 ±0.013 ±0.0001 ±3°00'	DWN K. FURUYAMA 01MAY03	108-5660	tyco Electronics Tyco Electronics AMP K.K. Kawasaki, Japan
MATERIAL PBT	FINISH SEE TABLE	CHK S. HIRANUMA 01MAY03	114-5276, 114-5291	NAME 025 CONNECTOR 28 POSITION CAP ASSEMBLY W-W (CRIMP AND IDC)
CUSTOMER DRAWING		APVD K. ASAI 01MAY03	WEIGHT 7.68 g	SIZE A2
SCALE 2:1		CAGE CODE 00779		DRAWING NO G-1565377
SHEET 1 OF 1		REV 0		RESTRICTED TO