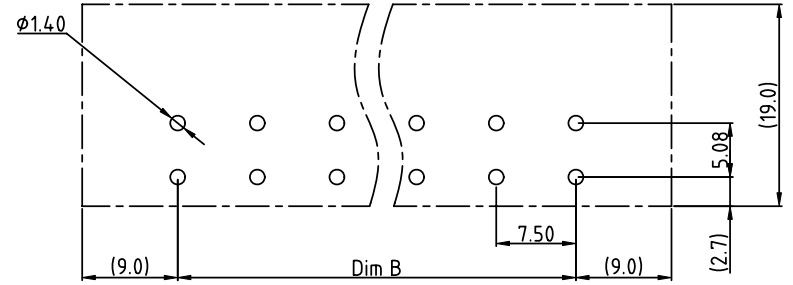
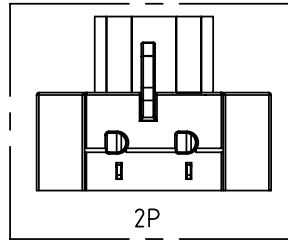
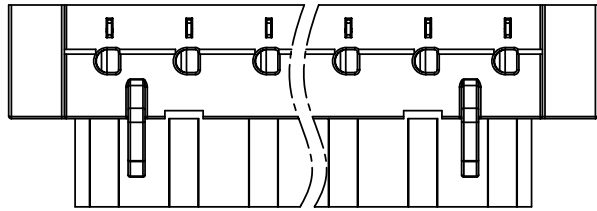
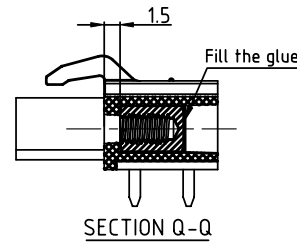
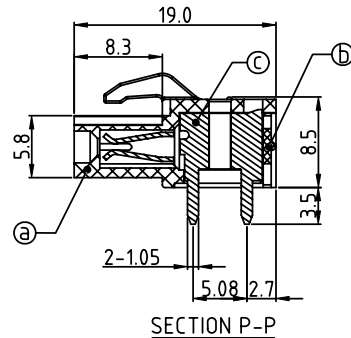
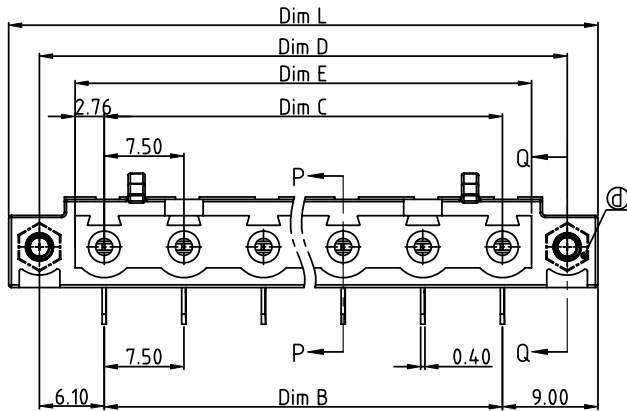


|                |         |
|----------------|---------|
| PRODUCT NUMBER | PITCH   |
| V7xxA2x100J0G  | 7.50 mm |



RECOMMENDED P.C.B LAYOUT  
TOP VIEW



- Material:
- Item ① Terminal body: Thermoplastic (UL94V-0)
  - Item ② Terminal Cover: Thermoplastic (UL94V-0)
  - Item ③ Female contact: PhBz(CuSn), Tin plated
  - Item ④ With flange Nut: Brass M 2.5

- Electrical cULus
- Voltage rating: 300VAC
  - Current rating: 10A
  - Withstanding Voltage: 1.6kv
  - Operating temperature: -40°C to +115°C
  - Soldering temperature: 260°C±5°C/5 Sec
  - Safety Approval:

N=Number of poles  
 Dim L=(N-1)×7.5+18.0  
 Dim B=(N-1)×7.50  
 Dim C=(N-1)×7.50  
 Dim D=(N-1)×7.5+12.2  
 Dim E=(N-1)×7.5+5.52

| poles  | Tolerance |
|--------|-----------|
| 2-5p   | ±0.15     |
| 6-10p  | ±0.25     |
| 11-16p | ±0.35     |

PART NO.: V7 xx A 2 x 1 00J0 G

- |              |   |                   |  |
|--------------|---|-------------------|--|
| Solid block  | 0 | Black (RAL9005)   | RoHS compliant (lead<4%) In copper Alloy |
| No. of poles | 2 | Red (RAL3001/D)   |  |
| 02 2poles    | 3 | Orange(RAL2011/P) |  |
| 03 3poles    | 4 | Yellow(RAL1018/A) |  |
| ...          | 5 | Green(RAL6018/T)  |  |
| 16 16poles   | 6 | Blue (RAL5015/A)  |  |
|              | 8 | Grey(RAL7035/D)   |  |
|              | 9 | White(RAL1102)    |  |
|              | C | Green(RAL6018/U)  |  |

|             |                |                    |                      |                                       |  |
|-------------|----------------|--------------------|----------------------|---------------------------------------|--|
| mat'l. code |                | surface ASME Y14.5 | tolerance ASME Y14.5 | projection                            | product family                               |
| ltr         | ecn no         | dr                 | date                 |                                       | TERMINAL BLOCK                               |
|             |                |                    |                      | tolerances unless otherwise specified | title  |
|             |                |                    |                      | angles                                | TERMINAL BLOCK                               |
|             |                |                    |                      | X±1°                                  | PLUGGABLE PCB PLUG, WITH FLANGE, RIGHT ANGLE |
|             |                |                    |                      | scale                                 | sheet 1 of 1 size                            |
|             |                |                    |                      | dr EVIN ZHONG 043014                  | V7xxA2x100J0G A4                             |
|             |                |                    |                      | enr EVIN ZHONG 043014                 | type CUSTOMER Drawing                        |
|             |                |                    |                      | chr HANKE FENG 043014                 |  |
|             |                |                    |                      | appd SHI JUN 043014                   |  |
| sheet index | revision sheet | A                  | 1                    |                                       |  |