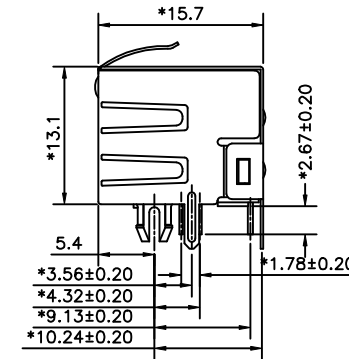
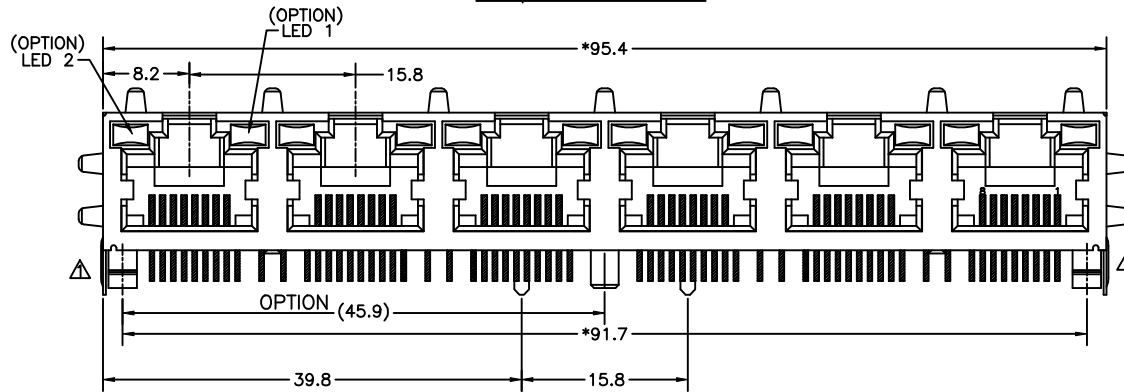


PC Board Layout(t=1.60)
Component Side Shown



REVISION RECORD				
REV	ECO	DESCRIPTION	DRFT	CHKD
△		drawing modify	YANGLAN 08/23/05	

NOTES:

ELECTRICAL:

- VOLTAGE RATING : 125 VAC RMS.
- CURRENT RATING : 1.5 AMP.
- CONTACT RESISTANCE : 30 MILLIOHMS MAX.
- INSULATION RESISTANCE: 1000 MEGOHMS MIN @ 500 VDC.
- DIELECTRIC STRENGTH : 1000 VAC RMS 60Hz, 1MIN.
- LED RATINGS: FORWARD VOLTAGE: 2.2 VOLTS TYPICAL.
REVERSE VOLTAGE: 5 VOLTS MAXIMUM.
- OPERATING: 750 CYCLES MIN.

MECHANICAL:

- HOUSING MATERIAL : FR52 UL94V-0. COLOR-BLACK.
- INSERT MATERIAL : FR52 UL94V-0. COLOR-BLACK.
- BACK PLATE MATERIAL : FR52 COLOR-BLACK.
- LED SIZE : 3.2*2.0*7.0*P=2.54mm.
- SHIELD MATERIAL : COPPER ALLOY 0.25mm THICKNESS PLATING NI.
- CONTACT MATERIAL : PHOSPHOR BRONZE 0.35mm THICKNESS OR ϕ 0.46.
- PLATING : GOLD PLATING OVER NICKEL.
- PCB RETENTION PRE-SOLDER : 1 LB MIN.
- PCB RETENTION POST-SOLDER: 10 LBS MIN.

ENVIRONMENTAL:

- STORAGE : -40°C TO +85°C.
 - OPERATION: 0°C TO 70°C.
 - WAVE SOLDERING TEMPERATURE: 255~265°C(5~10 SECONDS)
- MATES WITH MODULAR PLUG CONFORMING TO
FCC PART 68, SUBPART F.CUL FILE No:E163191

PART NUMBER: E 5J 8 8 - X X X X X X-L

- 1-LED1:GREEN ,LED2:YELLOW
- 2-LED1:GREEN ,LED2:GREEN
- 3-LED1:YELLOW ,LED2:GREEN
- 5-LED1:RED ,LED2:GREEN
- 7-LED1:YELLOW ,LED2:YELLOW

- 1-NO TAB
- 2-TOP TABS.
- 3-SIDE TABS.
- 4-TOP TABS & SIDE TABS.

- PLATING: 1-3u" 2-6u"
- 3-15u" 4-30u" 5-50u"
- 1-PLATE Tin SHIELD STAMP PIN ,No3 ERA LED
- 2-PLATE Ni SHIELD STAMP PIN ,No3 ERA LED
- 3-PLATE Tin SHIELD ROUND PIN ,No3 ERA LED
- 4-PLATE Ni SHIELD ROUND PIN ,No3 ERA LED
- J-W/O FRE LOGO A05-0130

- 6-6 PORTS W/O MIDDLE POLE
- E-6 PORTS W/ MIDDLE POLE

MM (INCH)		DFTO PETERS	DATE 04/4/05	FULL RISE ELECTRONIC CO., LTD	
TOLERANCES EXCEPT AS NOTED		CHKD:JAKE	DATE2005/08/23		
		MFO	DATE	TITLE	
		APPV:LUSHENG	DATE2005/08/23		
MATERIAL :				RJ45 SIDE ENTRY LED GANG JACK 6 PORTS	
ANGLES ±		QT'Y :			
THIRD ANGLE PROJECTION		SCALE : 1.5:1		DRAWING NO. GE5J3018-LA	
				/PART NO. SEE NOTE	
				DO NOT SCALE DRAWING	
				SHEET 1 OF 1	