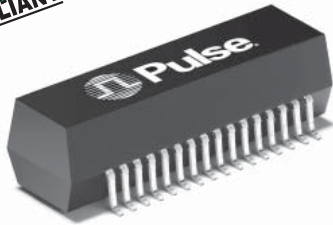


T3/DS3/E3/STS-1 TRANSFORMERS

Eight Transformers Designed for T3, DS3, E3 and STS-1 Interface



- ⊕ RoHS peak reflow temperature rating 245°C
- ⊕ Eight transformers in a surface mount package
- ⊕ Models matched to leading transceiver ICs
- ⊕ Return loss meets requirements of G.703
- ⊕ Recognized by UL1950 (some parts pending approval)
- ⊕ Isolation voltage: 1500 Vrms

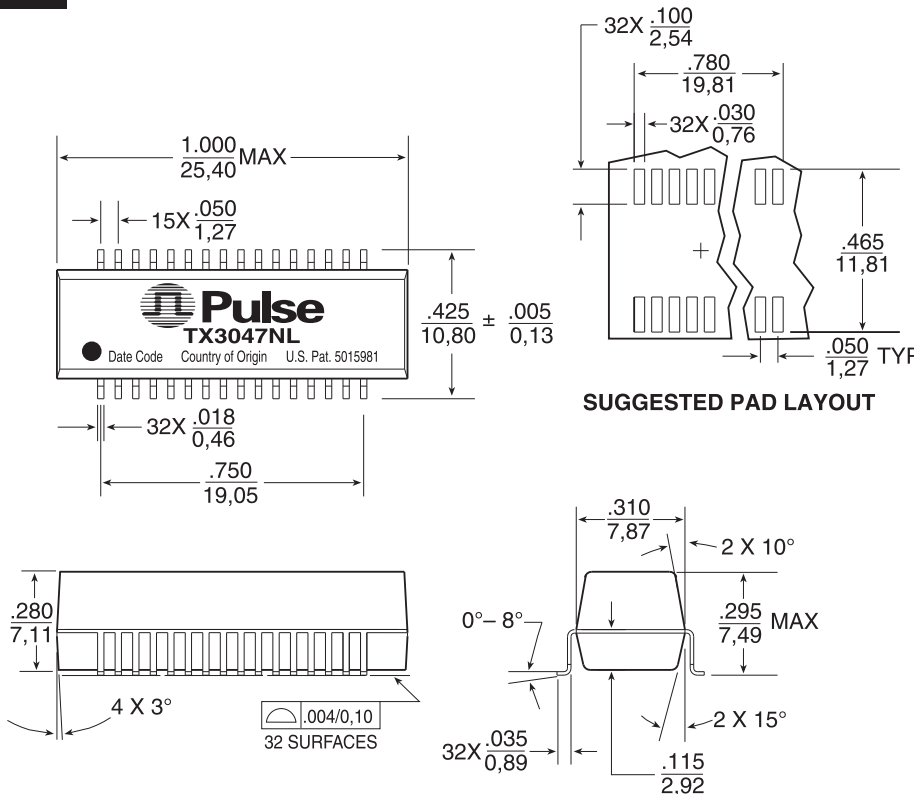
Electrical Specifications @ 25°C

RoHS-6 Compliant Part Number ¹	Turns Ratio (Pri:Sec ±2%)	OCL Primary @ 25°C (μH MIN)	LL (μH MAX)	C _{w/w} (pF MAX)	Isolation Voltage (Vrms MIN)	Package/ Schematic	Primary Pins
TX3047NL ²	1:1	100	.150	10	1500	YB/1	1-2, 3-4, 5-6, 7-8 9-10, 11-12, 13-14, 15-16

- For Tape & Reel packaging, add a "T" suffix to the part number when ordering (e.g. T3047NL becomes T3047NLT).
- NOTE:** Operating Temperature Range: -40°C to +85°C.

Mechanical

YB



Weight2.7 grams
Tape & Reel 200/reel
Tube 20/tube

Dimensions: Inches
mm
Unless otherwise specified,
all tolerances are ± .010
0,25

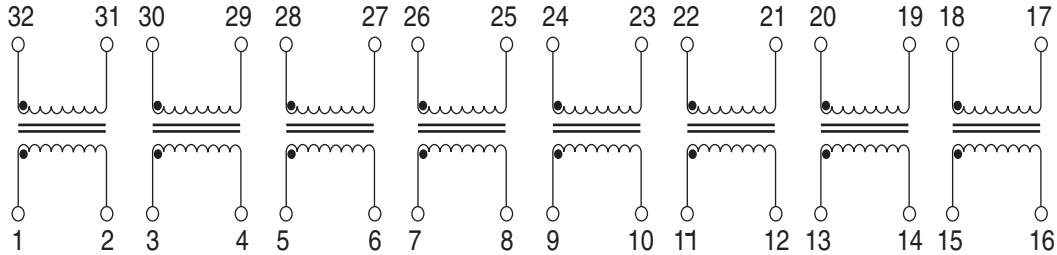
T3/DS3/E3/STS-1 TRANSFORMERS

Eight Transformers Designed for T3, DS3, E3 and STS-1 Interface



Schematic

1



For More Information:

Pulse Worldwide Headquarters

12220 World Trade Dr.
San Diego, CA 92128
U.S.A.

www.pulseeng.com

Tel: 858 674 8100
Fax: 858 674 8262

Pulse Europe

Einsteinstrasse 1
D-71083 Herrenberg
Germany

Tel: 49 7032 7806 0
Fax: 49 7032 7806 135

Pulse China Headquarters

B402, Shenzhen Academy of
Aerospace Technology Bldg.
10th Kejinan Rd.
High-Tech Zone
Nanshan District
Shenzhen, PR China 518057

TEL: 86 755 33966678
FAX: 86 755 33966700

Pulse North China

Room 1503
XinYin Building
No. 888 YiShan Rd.
Shanghai 200233
China

Tel: 86 21 54643211/2
Fax: 86 21 54643210

Pulse South Asia

135 Joo Seng Rd.
#03-02
PM Industrial Bldg.
Singapore 368363

TEL: 65 6287 8998
FAX: 65 6280 0080

Pulse North Asia

No. 26, Kao Ching Rd.
Yang Mei Chen
Taoyuan Hsien
Taiwan
R. O. C.

Tel: 886 3 4643715
Fax: 886 3 4641911

Performance warranty of products offered on this data sheet is limited to the parameters specified. Data is subject to change without notice. Other brand and product names mentioned herein may be trademarks or registered trademarks of their respective owners.

© Copyright, 2009. Pulse Engineering, Inc. All rights reserved.