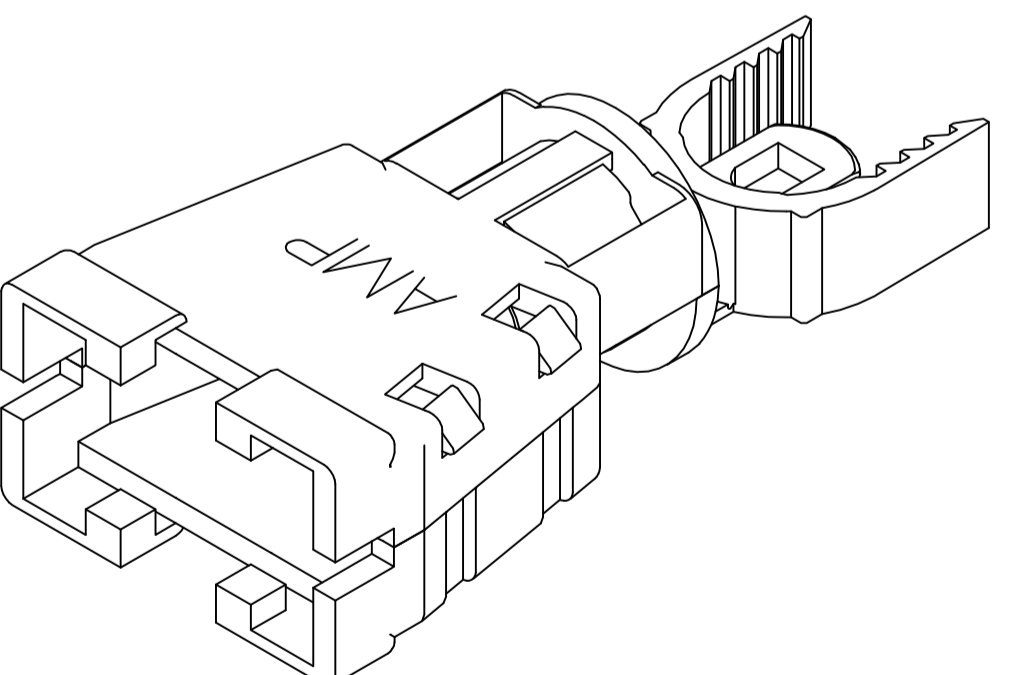
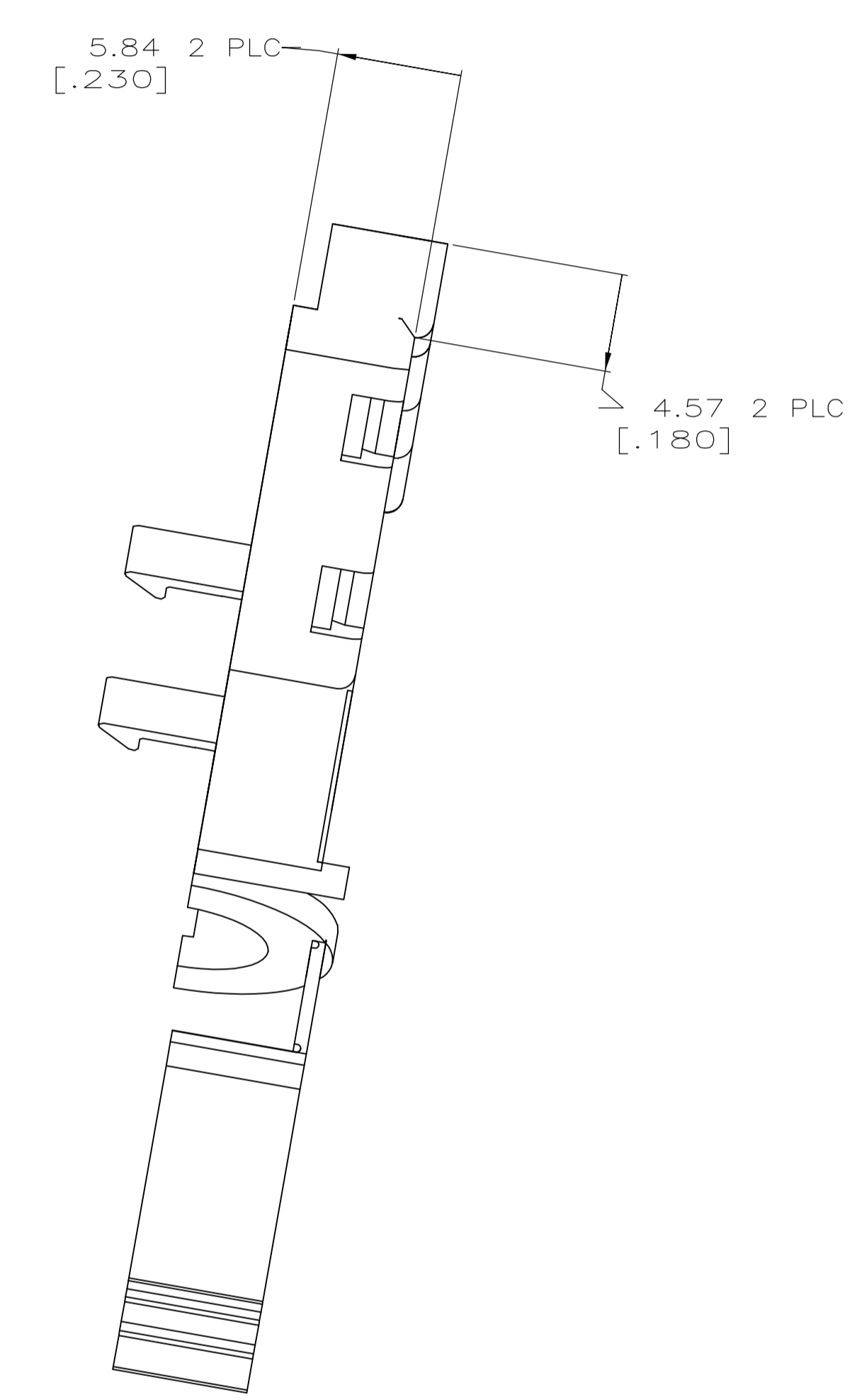
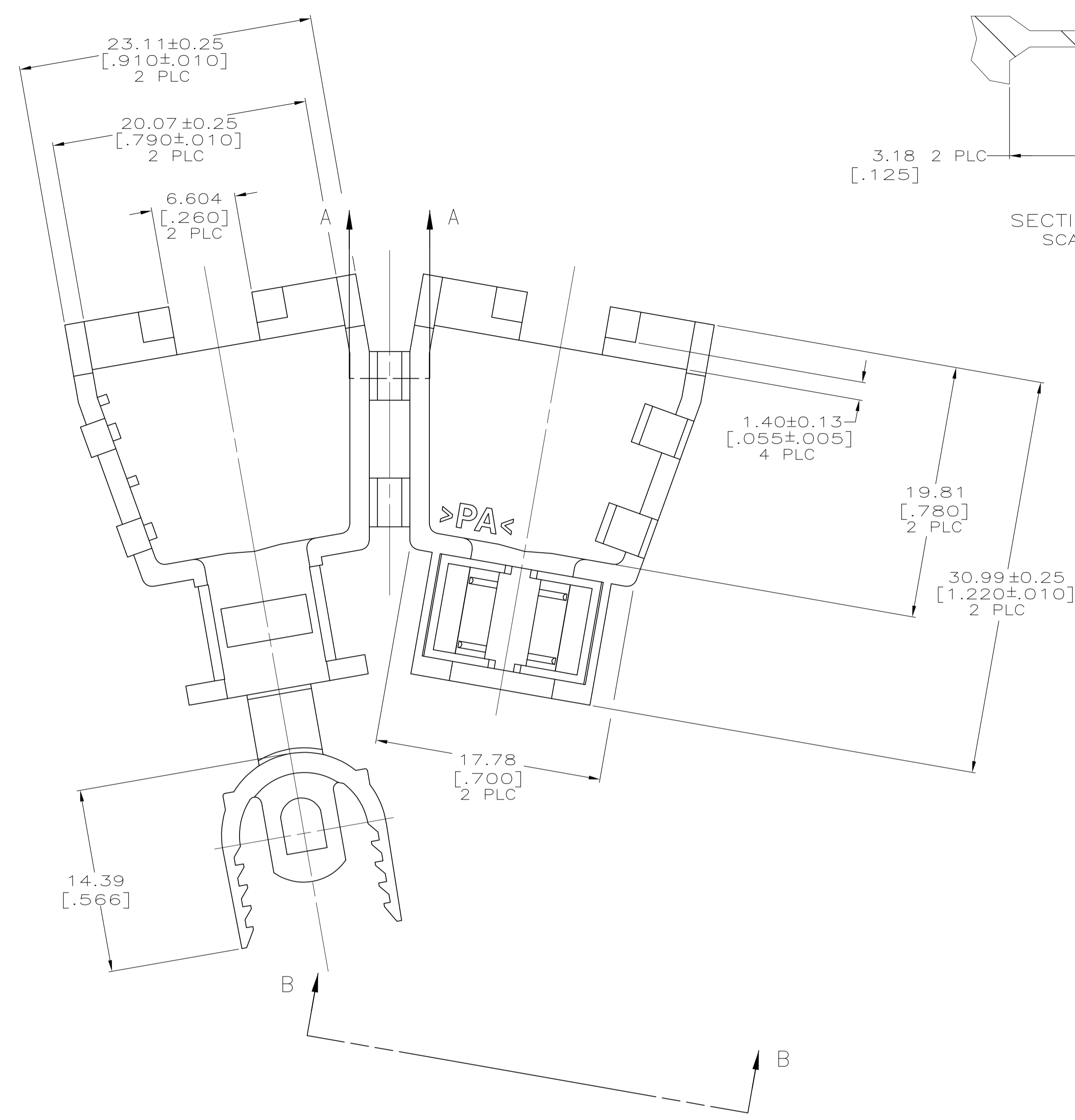
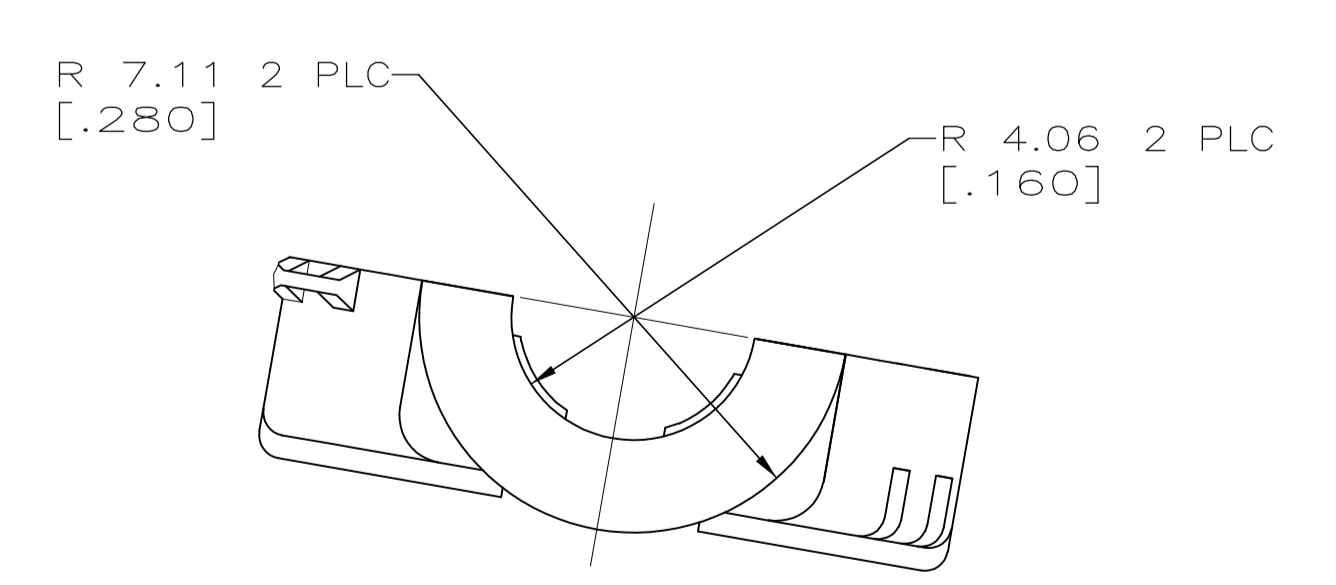


LOC		DIST		REVISIONS			
CM	53	P	LTR	DESCRIPTION	DATE	DWN	APVD
		B		REV PER ECR 11-017103	19AUG11	JR	TM



3-DIMENSIONAL MODEL
NTS



VIEW B-B

794370-1
PART NUMBER

THIS DRAWING IS A CONTROLLED DOCUMENT.		DIN R VESTAL 10-03-97	TE Connectivity
DIMENSIONS: mm [INCHES]		CHK R SWING 10-03-97	
TOLERANCES UNLESS OTHERWISE SPECIFIED:		APP'D R ORSTAD 10-03-97	NAME
0 PLC ± -			STRAIN RELIEF, HINGED, PLUG AND CAP, 8 POSITION, MINI UNIVERSAL MATE-N-LOK
1 PLC ± -			PRODUCT SPEC
2 PLC ± 0.13[.005]			APPLICATION SPEC
3 PLC ± -			SIZE
4 PLC ± -			CAGE CODE
ANGLES ± 0° 30'			DRAWING NO
MATERIAL NYLON, UL94V-0	FINISH COLOR-NATURAL	WEIGHT	RESTRICTED TO
CUSTOMER DRAWING		SCALE 4:1	SHEET 1 OF 1

