



## OD9238 Series

DC Fan - 12V, 24V  
92 x 38mm (3.62 x 1.5in)



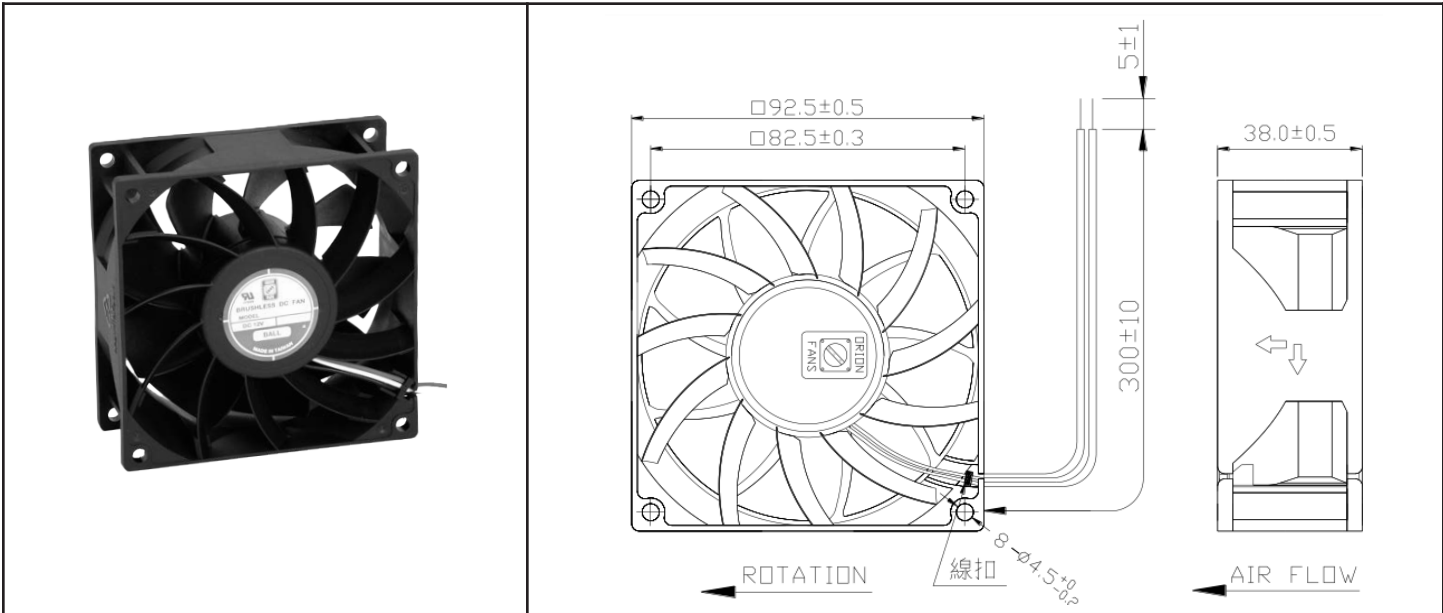
| Model #        | Pg # | Voltage | RPM  | CFM | Noise Level | Max Static Pressure  |
|----------------|------|---------|------|-----|-------------|----------------------|
| OD9238-12MB    | 2    | 12 VDC  | 3600 | 90  | 47 dB       | .34 H <sub>2</sub> O |
| OD9238-24HB    | 3    | 24 VDC  | 4000 | 90  | 50 dB       | .40 H <sub>2</sub> O |
| OD9238-24HB02A | 4    | 24 VDC  | 4000 | 90  | 50 dB       | .40 H <sub>2</sub> O |

\*\* For some models and part numbers, minimum order quantities may apply.

# OD9238-12MB



DC Fan, 12VDC  
92x38mm (3.62x1.5in)



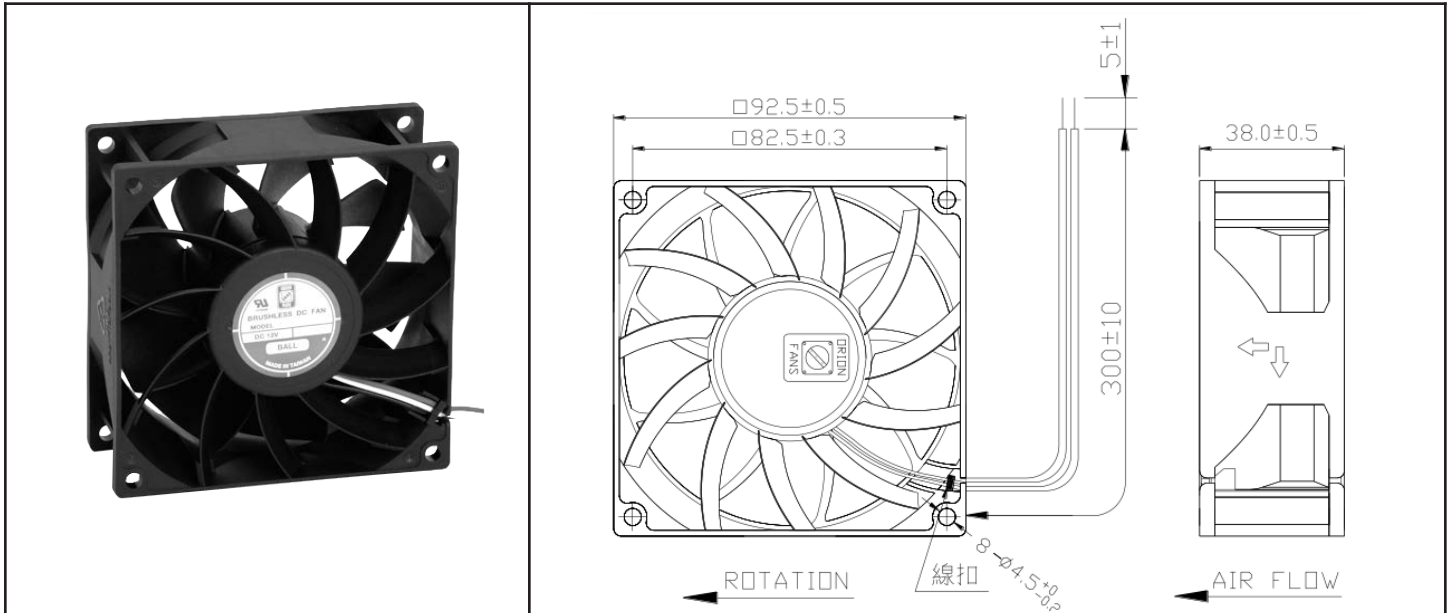
|                       |   |   |  |
|-----------------------|---|---|--|
| Frame & Impeller      | PBT, UL94V-0 plastic                            | <b>Available Options</b><br>IP55<br>Other speeds and voltages<br>Alarm<br>PWM<br>Tach<br>*Connection:<br>Wire Leads - UL1007<br>24AWG Red(+), Black (-),<br><br>Weight: 210 g |  |
| Connection            | 2x Lead wires *                                 |   |  |
| Motor                 | Brushless DC, auto restart, polarity protected. |   |  |
| Bearing System        | Dual ball bearing                               |   |  |
| Insulation Resistance | Min. 10M at 500VDC                              |   |  |
| Dielectric Strength   | 1 second at 500VAC max leakage 500 microamp     |   |  |
| Temperature Range     | -10C ~ +70C                                     |   |  |
| Storage Temperature   | -40C ~ +80C                                     |   |  |
| Life (L10)            | 70,000 hours (40C)                              |   |  |

|                      |                       |
|----------------------|-----------------------|
| Model Number         | OD9238-12MB           |
| Part Number          | 196131001             |
| Nominal Voltage      | 12 VDC                |
| Voltage Range        | 7~13.2 VDC            |
| Nominal Current      | .45 A                 |
| Rated Power          | 12 Watts              |
| Rated Speed (RPM)    | 3600                  |
| Airflow (CFM)        | 90                    |
| Noise Level (dB)     | 47                    |
| Max. Static Pressure | .34 "H <sub>2</sub> O |

# OD9238-24HB



DC Fan, 24VDC  
92x38mm (3.62x1.5in)



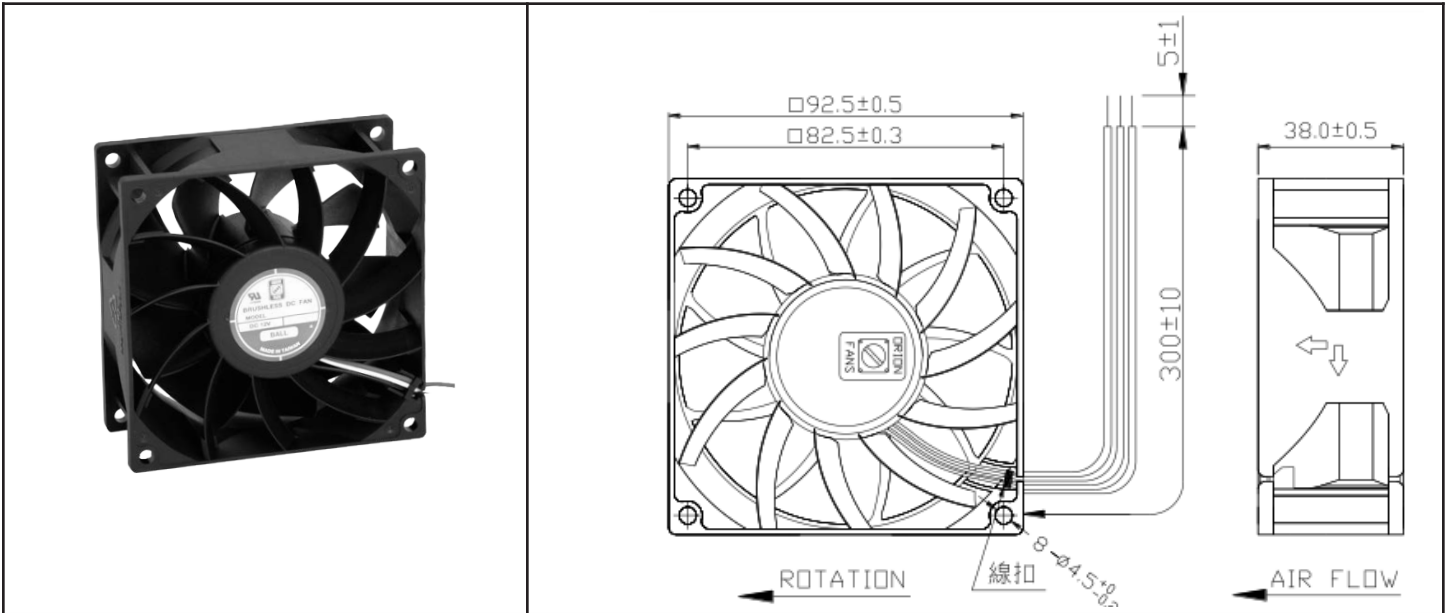
|                       |   |   |                          |
|-----------------------|---|---|--------------------------|
| Frame & Impeller      | PBT, UL94V-0 plastic                            | <b>Available Options</b><br>IP55<br>Other speeds and voltages<br>Tachometer<br>PWM<br>Alarm<br>*Connection:<br>Wire Leads - UL1007<br>24AWG Red(+), Black (-),<br><br>Weight: 210 g | <b>FLOWRATE(CMM)</b><br> |
| Connection            | 2x Lead wires *                                 |   |                          |
| Motor                 | Brushless DC, auto restart, polarity protected. |   |                          |
| Bearing System        | Dual ball bearing                               |   |                          |
| Insulation Resistance | Min. 10M at 500VDC                              |   |                          |
| Dielectric Strength   | 1 second at 500VAC max leakage 500 microamp     |   |                          |
| Temperature Range     | -10C ~ +70C                                     |   |                          |
| Storage Temperature   | -40C ~ +80C                                     |   |                          |
| Life (L10)            | 70,000 hours (40C)                              |   |                          |

|                      |                       |
|----------------------|-----------------------|
| Model Number         | OD9238-24HB           |
| Part Number          | 196241001             |
| Nominal Voltage      | 24 VDC                |
| Voltage Range        | 17~26.4 VDC           |
| Nominal Current      | .28 A                 |
| Rated Power          | 13.2 Watts            |
| Rated Speed (RPM)    | 4000                  |
| Airflow (CFM)        | 90                    |
| Noise Level (dB)     | 50                    |
| Max. Static Pressure | .40 "H <sub>2</sub> O |

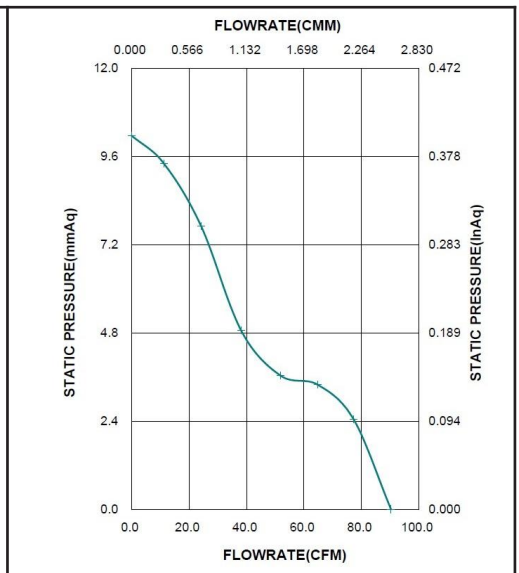
# OD9238-24HB02A



DC Fan, 24VDC  
92x38mm (3.62x1.5in)



|                       |   |  |
|-----------------------|---|--|
| Frame & Impeller      | PBT, UL94V-0 plastic                            | <b>Available Options</b><br>IP55<br>Other speeds and voltages<br>Tachometer<br>PWM<br><br>*Connection:<br>Wire Leads - UL1007<br>24AWG Red(+), Black (-),<br>Yellow Alarm<br><br>Weight: 210 g |
| Connection            | 3x Lead wires *                                 |  |
| Motor                 | Brushless DC, auto restart, polarity protected. |  |
| Bearing System        | Dual ball bearing                               |  |
| Insulation Resistance | Min. 10M at 500VDC                              |  |
| Dielectric Strength   | 1 second at 500VAC max leakage 500 microamp     |  |
| Temperature Range     | -10C ~ +70C                                     |  |
| Storage Temperature   | -40C ~ +80C                                     |  |
| Life (L10)            | 70,000 hours (40C)                              |  |



|                      |                       |
|----------------------|-----------------------|
| Model Number         | OD9238-24HB02A        |
| Part Number          | 196241231             |
| Nominal Voltage      | 24 VDC                |
| Voltage Range        | 17~26.4 VDC           |
| Nominal Current      | .28 A                 |
| Rated Power          | 13.2 Watts            |
| Rated Speed (RPM)    | 4000                  |
| Airflow (CFM)        | 90                    |
| Noise Level (dB)     | 50                    |
| Max. Static Pressure | .40 "H <sub>2</sub> O |

