

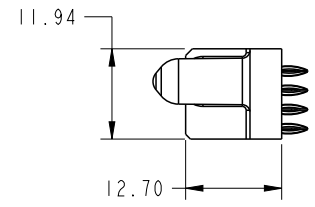
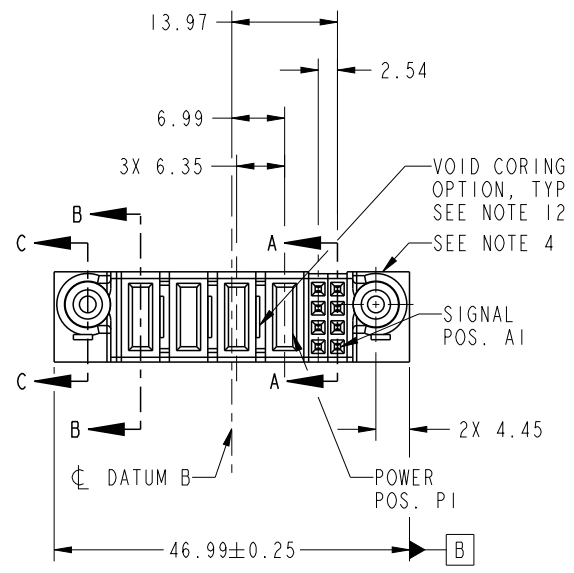
1

2

3

4

PRODUCT NO.	ROWS	POWER SIGNAL								
		E2	P4	P3	P2	P1	2	1	E1	
51751-028-- NOTE: 3	D C B A		PC	PC	PC	PC	F	F	F	



Copyright FCI.

CODE	DIM "M" MATING LENGTH	CONTACT TYPE
PC	[1.07]	POWER
F	[N/A]	SIGNAL

spec ref		see notes		dr	Guang, Shi	2011/06/14	projection 	MM ←→	size	A4	scale	1:1
tolerance std		TOLERANCES UNLESS OTHERWISE SPECIFIED		eng	Guang, Shi	2011/08/22			ecn no	-		
see notes				chr	-	-			rel level	Released		
surface ✓	linear	0.X	±0.50	FCI	title	8S + 4P	product family	PwrBlade	dwg no	51751-028	rev	A
		0.XX	±0.25									
		0.XXX	±0.10									
	angular	0°	±2°	www.fci.com	cat. no.	Product - Customer Drw	sheet 1 of 4					

PrdE File - REV C - 2009-06-09

1

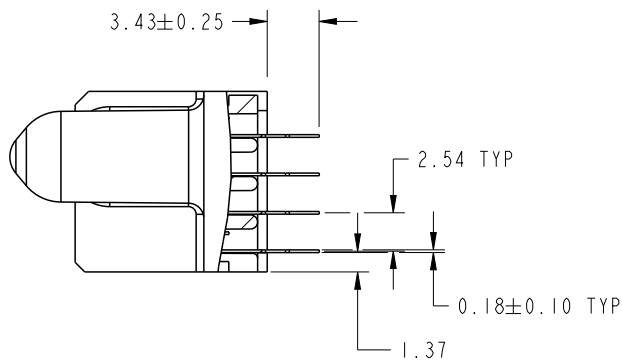
2

3

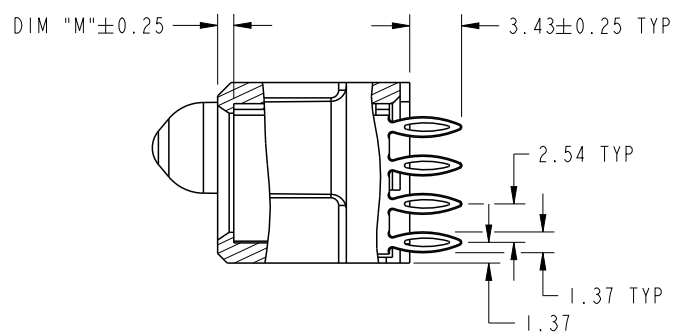
4

PRODUCT NUMBER

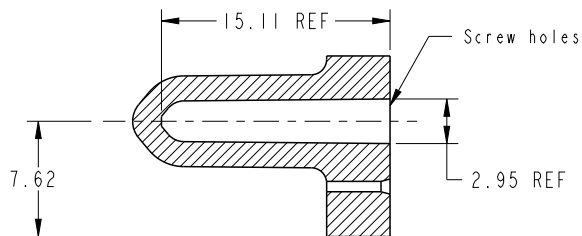
51751-028:--
NOTE: 3



SECTION A-A
SCALE 2:1



SECTION B-B
SCALE 2:1

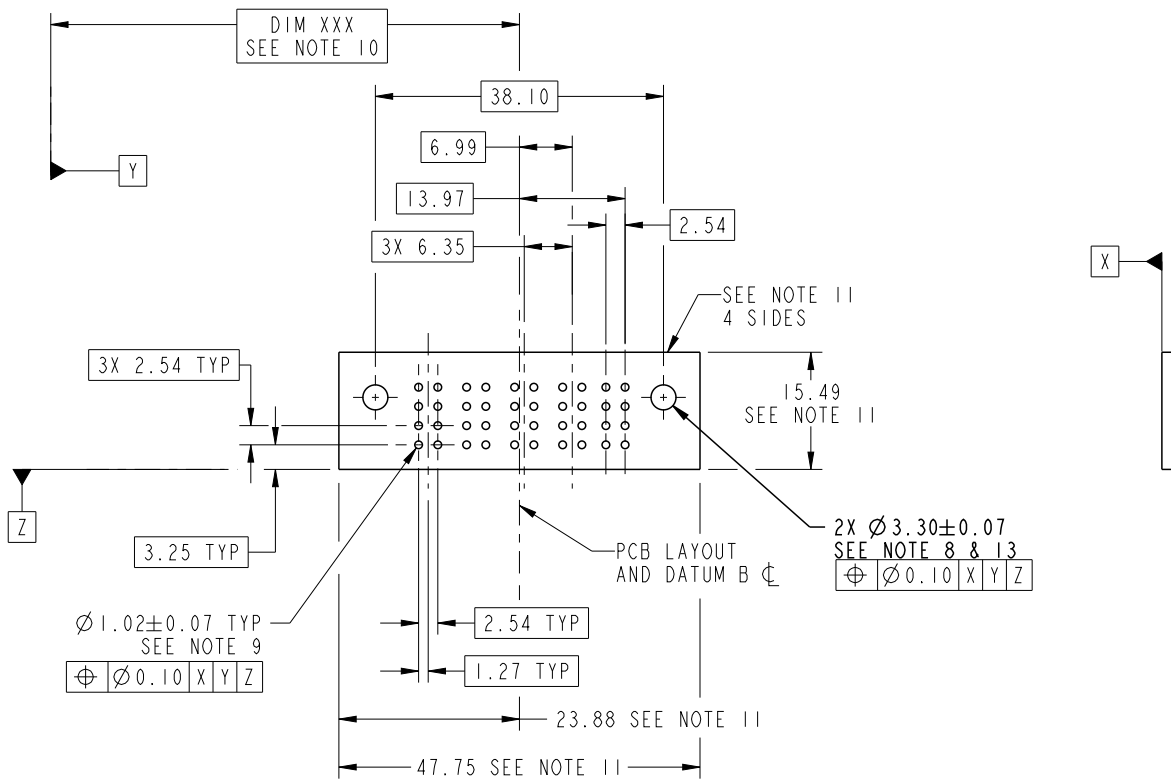


SECTION C-C
SCALE 2:1

spec ref	see notes			dr	Guang, Shi	2011/06/14	projection 	MM ←→	size	A4	scale	1:1	
tolerance std	TOLERANCES UNLESS OTHERWISE SPECIFIED			eng	Guang, Shi	2011/08/22			ecn no	-			
See notes				chr	-	-			rel level	Released			
surface	linear	0.X	±0.50	FCj	www.fci.com	title	8S + 4P VERTICAL PF RECEPT	dwg no	51751-028	rev	A		
		0.XX	±0.25								cat. no.	Product - Customer Drw	sheet 2 of 4
		0.XXX	±0.10										
	angular	0°	±2°										

PRODUCT NUMBER

51751-028__
NOTE: 3



RECOMMENDED PCB LAYOUT

spec ref		see notes		dr	Guang, Shi	2011/06/14	projection 	MM 	size	A4	scale	1:1
tolerance std	See notes	TOLERANCES UNLESS OTHERWISE SPECIFIED		eng	Guang, Shi	2011/08/22			ecn no	-		
				chr	-	-						
surface	✓	linear	0.X	±0.50	FCI	title	8S + 4P	dwg no	51751-028	rev	A	
			0.XX	±0.25								
			0.XXX	±0.10								
		angular	0°	±2°	www.fci.com	cat. no.	Product - Customer Drw		sheet 3 of 4			

PRODUCT NUMBER

51751-028__
NOTE: 3

NOTES:

1. DIMENSIONS AND TOLERANCES ARE IN ACCORDANCE WITH ASME Y14.5M, 1994 UNLESS OTHERWISE SPECIFIED.

CONNECTOR NOTES:

- ② HOUSING MATERIAL: UL 94 V-0 GLASS FILLED HIGH-TEMP THERMOPLASTIC
POWER CONTACT MATERIAL: COPPER ALLOY
SIGNAL PIN MATERIAL: COPPER ALLOY
 - 3. SEE ITEM 3 & 4 IN PRINT 10064183 FOR PLATING SPEC OF 51751-028 AND 51751-028LF RESPECTIVELY.
 - ④ MANUFACTURER'S NAME, DATE CODE AND OPTIONAL P/N TO APPEAR ON THIS SURFACE. THE P/N CAN BE OMITTED IF THERE IS NOT ENOUGH SPACE ON THIS SURFACE.
 - 5. PRODUCT SPECIFICATION GS-12-149.
APPLICATION SPECIFICATION BUS-20-067.
 - 6. PACKAGED IN TRAYS.
- PCB NOTES:
- 7. ALL HOLE DIAMETERS ARE FINISHED HOLE SIZE.
 - ⑧ MOUNTING HOLES, WHERE APPLICABLE, ARE UNPLATED.
 - ⑨ $\varnothing 1.151 \pm 0.025$ DRILLED HOLES PLATED WITH
0.008 MIN SnPb OR Sn OVER 0.03
TO 0.08 Cu PLATING TO ACHIEVE
 $\varnothing 1.02 \pm 0.07$ HOLE.
 - ⑩ "DIM XXX" TO BE DETERMINED BY THE CUSTOMER.
 - ⑪ CONNECTOR KEEP-OUT ZONE.
 - 12. THE VOID CORING IN BETWEEN POWER MODULES, SIGNAL MODULES AND END MODULES ARE OPTIONAL AND THE SHAPE MAY BE DIFFERENT FOR OPTIMIZE THE MOLDING PROCESS. THE VOID CORING WILL NOT EFFECT TO PRODUCT FUNCTION.
 - 13. RECOMMENDED RETENTION TO PCB
 $\varnothing 3.3 \pm 0.07$ THRU HOLE FOR #5 SOCKET HEAD CAP SCREW
MAX HEAD 5.21 RECOMMENDED SCRW 12+PCB THICKNESS.
RECOMMENDED SCREW SEATING TO PCB TORQUE (2300-5760 gf-cm) .

spec ref		see notes		dr	Guang, Shi	2011/06/14	projection 	MM 	size	A4	scale	1:1
tolerance std		TOLERANCES UNLESS OTHERWISE SPECIFIED		eng	Guang, Shi	2011/08/22			ecn no	-		
See notes				chr	-	-			rel level	Released		
surface		linear	0.X ±0.50	appr	Pei-Ming Zheng	2011/08/22	product family		PwrBlade	rev	A	
			0.XX ±0.25	www.fci.com		title	8S + 4P		dwg no	51751-028		
			0.XXX ±0.10				VERTICAL PF RECEPT					
		angular	0° ±2°	cat. no.		Product - Customer Drw			sheet 4 of 4			



Copyright FCI.