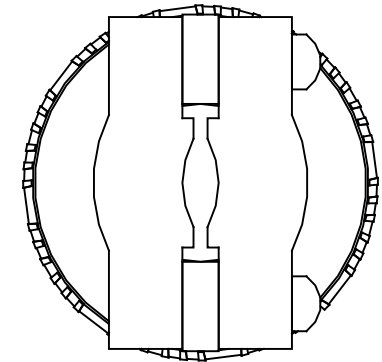
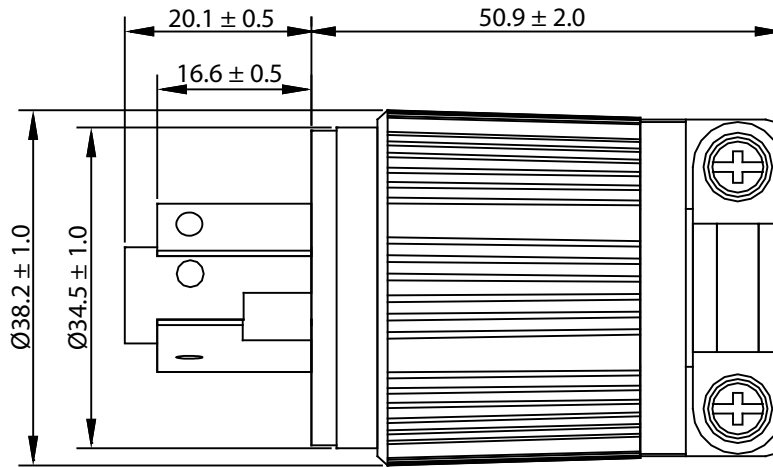
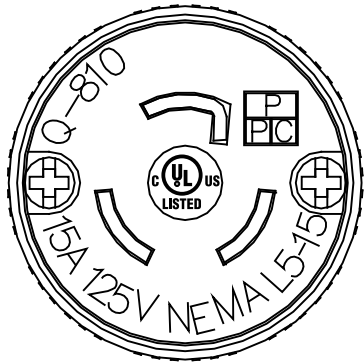


THESE DRAWINGS ARE THE PROPERTY OF QUALTEK ELECTRONICS AND NOT TO BE REPRODUCED FOR OR COMMUNICATED TO A THIRD PARTY WITHOUT THE EXPRESS WRITTEN PERMISSION OF AN OFFICER OF QUALTEK ELECTRONICS.

REVISION			
REV.	DESCRIPTION	DATE	APPROVED



**CONTROLLED**

NOTES:

- RATING: 15A 125VAC
- COLOR: BLACK
- CORD CLAMP: ACCEPTS 18/3 - 12/3 CABLE
- TERMINAL I.D.:
  - GROUND TERMINAL SCREW: GREEN AND MARKED "GR"
  - LINE TERMINAL SCREW: BLACK
  - NEUTRAL TERMINAL SCREW: WHITE AND MARKED WITH "W"
- APPROVALS: UL/cUL LISTED: E139592
- ROHS COMPLIANT

Dim range (mm)	Tolerance +/- (mm)	Qualtek Electronics Corp. PPC DIVISION											
		Part Number:	Q-810	RoHS Compliant									
0-1	0.15	Description: NEMA L5-15P LOCKING DEVICE											
1-6	0.20	<table border="1"> <tr> <td colspan="2">UNIT: mm</td> <td> </td> </tr> <tr> <td>Drawn / Date</td> <td>Checked / Date</td> <td>Approved / Date</td> </tr> <tr> <td>R.Nuti 08-25-09</td> <td>08-25-09</td> <td>LY / 08-25-09</td> </tr> </table>			UNIT: mm			Drawn / Date	Checked / Date	Approved / Date	R.Nuti 08-25-09	08-25-09	LY / 08-25-09
UNIT: mm													
Drawn / Date	Checked / Date				Approved / Date								
R.Nuti 08-25-09	08-25-09				LY / 08-25-09								
6-18	0.30												
18-50	0.50												
50-120	0.70												
120-250	0.90												
250-500	1.20												