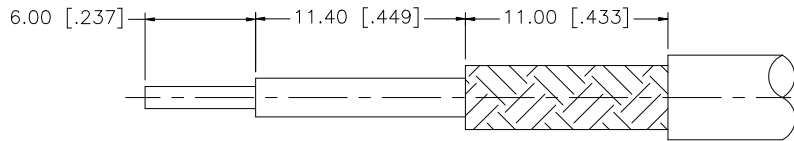
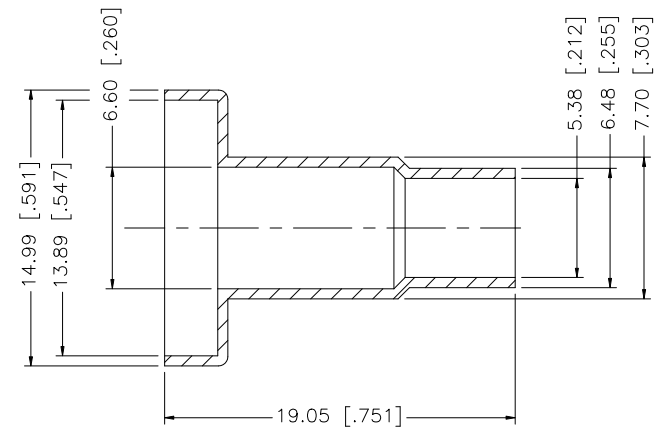
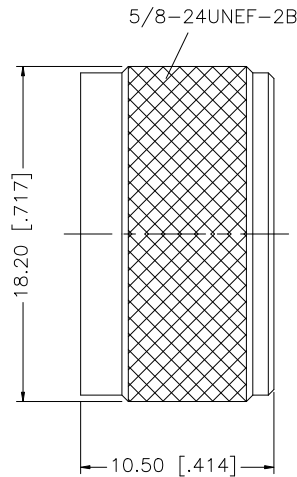
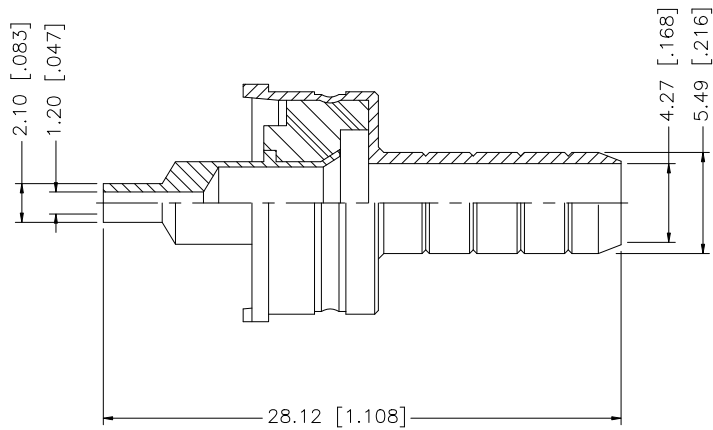


REV.	DATE	ECR NO.	DESCRIPTION
NC	11/20/08	-	INITIAL RELEASE



RECOMMENDED CABLE STRIPPING DIM'S



NOTE:

1. CRIMPED FERRULE HEX CRIMP SIZE .255" [6.48].
2. CRIMPED CONTACT PIN HEX CRIMP SIZE .068" [1.73] OR SOLDER.

				UNLESS OTHERWISE SPECIFIED DIMENSIONS ARE IN MILLIMETERS. DIMENSIONS IN [ ] ARE IN INCHES AND FOR CUSTOMER REFERENCE ONLY.	APPROVALS	DATE	<h1 style="color: blue; margin: 0;">Amphenol Connex</h1>					
8					DRAWN	GRS				11/20/08	PART DESCRIPTION	
7					CHECKED			UHF FCP PLUG (58/U - DCP TYPE)				
6					ISSUED						PART NO.	
5	FERRULE	BRASS	NICKEL	1	SHEET	1 OF 1		182135				
4	CONTACT PIN	BRASS	NICKEL	1	CAD FILE						DWG. NO. 182135.DWG	
3	INSULATOR	BAKELITE	BROWN	1	C:/182/182135.DWG			REV. NC				
2	BODY	BRASS	NICKEL	1	DO NOT SCALE DRAWING						SIZE A	
1	SHELL	BRASS	NICKEL	1				SCALE NA				
DESCRIPTION				MATERIAL	FINISH	QTY						

UNLESS OTHERWISE SPECIFIED DIMENSIONS ARE IN MILLIMETERS. DIMENSIONS IN [ ] ARE IN INCHES AND FOR CUSTOMER REFERENCE ONLY.

UNLESS OTHERWISE SPECIFIED TOLERANCES FOR MILLIMETERS ARE:  
0.5 - 8mm ± 0.20mm  
8 - 30mm ± 0.40mm  
30 - 120mm ± 0.50mm

UNLESS OTHERWISE SPECIFIED TOLERANCES FOR INCHES ARE:  
.020 - .315 = ± 0.007"  
.315 - 1.180 = ± 0.015"  
1.180 - 4.724 = ± 0.020"