

SUMMARY



Image is for illustrative purpose only

Wires

Low	0
High	0
Coax	0
Triax	1
Quad	0
Fiber	0
Fluidic	0

Download

[Request a quote](#)

[Catalog](#)

Series	00
Termination type	Male solder
IP rating	50
Cable Ø	0.00 - 0.00 mm
Matching parts	ELF.00.650.NLL
Status	
Alternative part	

TECHNICAL DETAILS

Mechanics

Shell Style/Model	FAA*: Fixed plug, non-latching, nut fixing
Keying	Circular (can rotate)
Housing Material	Brass (nickel plated) shell, collet nut, latch sleeve and mid pieces
Cable Fixing	∅ 0 - 0 mm
Variant	

Performance

Configuration	0.65 : 1 Triax (50 Ohm)
Insulator	L: PEEK (UL 94 / V-0/3.2, depends on material thickness)
Rated Current	3 Amps

Specifications

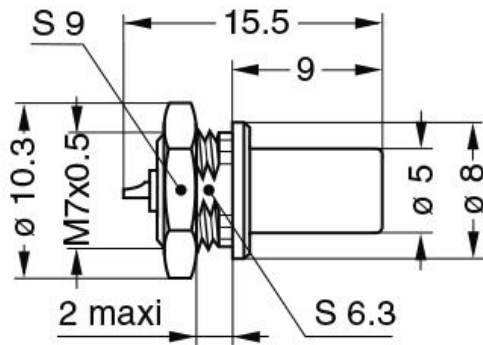
Contact Type:	Triaxial 50 Ohm (Solder)
Max. Matings:	1000
Contact Dia.:	0.5 mm (0.02" in)
Vtest:	1200 V (AC), 1700 V (DC)
Impedance:	50 Ohm
VSWR:	1.1 + 0.11 * f/GHz

Others

IP Rating: 50

DRAWINGS

Draws



Dimensions

	A	L	Weight
mm.	8	15.5	2.5
in.	0,31	0,61	0,10

RECOMMENDED BY LEMO

Tools

None

Cables