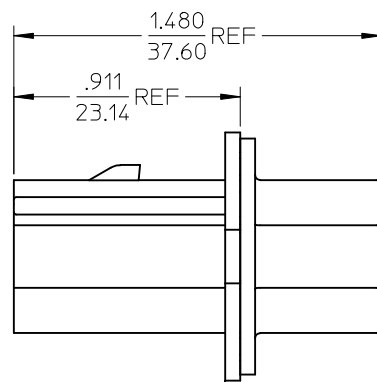
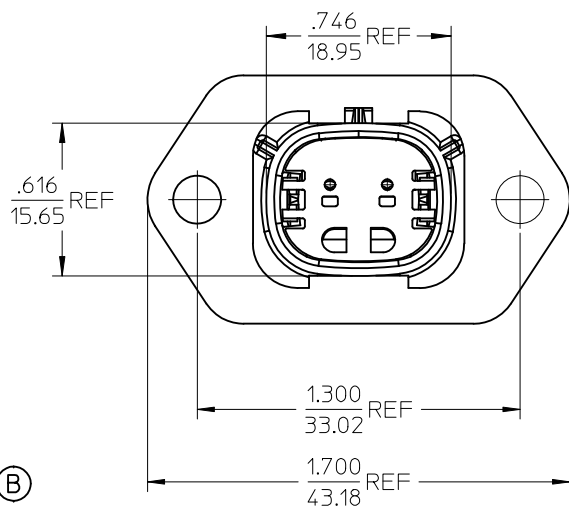
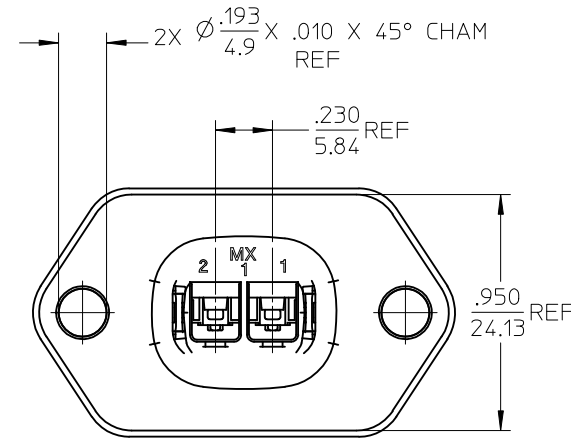


ASSEMBLED VIEW
SCALE 1:1



GASKET
194270025



(B)

- NOTES:
 1. MATERIALS:
 HOUSING: POLYESTER (PBT), GLASS FILLED, UL94 V-0,COLOR: BLACK
 GASKET: EPDM RUBBER
 2. PRODUCT SPECIFICATION: PS-19417-001.
 3. PACKAGING SPECIFICATION: PK-19429-001.
 GASKETS, IF REQUIRED FOR THE ASSEMBLIES,ARE BULK PACKAGED IN A SEPARATE BAG.
 4. MATES WITH: 19418 SERIES RECEPTACLE ASSEMBLIES.
 5. USE CONNECTOR WITH MALE CRIMP TERMINAL: SERIES 19417.
 6. RECOMMENDED MOUNTING HARDWARE: (2)#10 X .62/15.8 LONG PLASTIC THREAD CUTTING SCREWS, RECOMMENDED TORQUE 15-17 IN-LBS. SUGGESTED SOURCE: ITW SHAKEPROOF INDUSTRIAL BOSSCREW OR EQUIVALENT.
 7. ASSEMBLY IS ROHS COMPLIANT.

194290041	YES
194290026	NO
MATERIAL NUMBER	GASKET

REVISE NOTES EC NO: IPG2012-0161 DRWN: WLEUNG 2012/02/10 CHKD: APPR: DITITUS 2012/02/28 DESCRIPTION	QUALITY SYMBOLS	GENERAL TOLERANCES (UNLESS SPECIFIED)	SCALE 2:1	DESIGN UNITS INCH	THIRD ANGLE PROJECTION	REVISE ON CAD ONLY
	▽ -0 ∇ -0	4 PLACES ± --- ± --- 3 PLACES ± --- ± .015 2 PLACES ± 0.38 ± --- 1 PLACE ± --- ± --- ANGULAR ± 1° DRAFT WHERE APPLICABLE MUST REMAIN WITHIN DIMENSIONS	DIMENSION STYLE IN/MM DRAWN BY DMYRICK DATE 2004/07/15 CHECKED BY JPAWLICK DATE 2004/07/15 APPROVED BY RDEROSS DATE 2004/07/15			
				TITLE 2-WAY PLUG PANEL MOUNT ASSEMBLY W/O BOSS 22-14 AWG MOLEX INCORPORATED		
				MATERIAL NO.	DOCUMENT NO.	SHEET NO.

SEE CHART SD-19429-009 1 OF 1

THIS DRAWING CONTAINS INFORMATION THAT IS PROPRIETARY TO MOLEX INCORPORATED AND SHOULD NOT BE USED WITHOUT WRITTEN PERMISSION