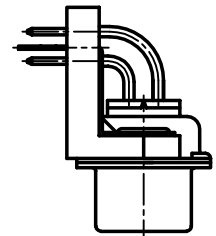
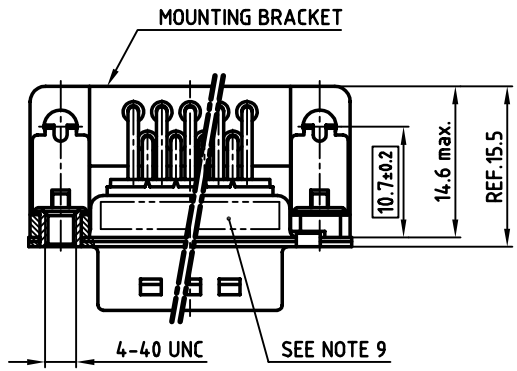
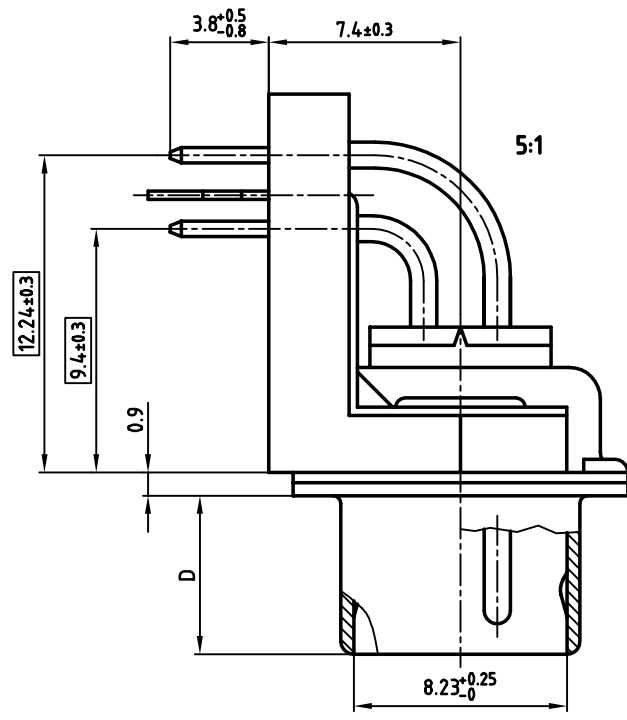
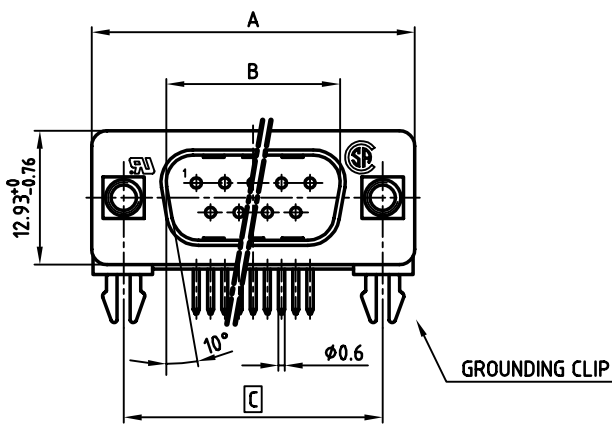


used for: D-SUB



Directive 2002/95/EC  
"RoHS"  
Compliant

POS.	A -0.76	B +0.25	C	D -0.3	PART NO.
9	31.19	16.79	25.00 +0.12/-0.13	6.12	163A14489X
15	39.52	25.12	33.30 +0.15/-0.1	6.12	163A14499X
25	53.42	38.84	47.04 ±0.13	5.99	163A14509X
37	69.70	55.30	63.50 ±0.13	5.99	163A14519X

**NOTES:**

- METALSHELLS: STEEL; min. 320µ" TIN
- INSULATORS: PBT GF UL 94 V-0, BLACK
- CONTACTS: COPPER ALLOY  
PLATING: min. 8µ" HARD GOLD OVER min. 50µ" NICKEL
- MOUNTING BRACKET: PBT GF UL 94 V-0, BLACK
- THREADED INSERT: COPPER ALLOY; min. 200µ" TIN over 80µ" NICKEL
- GROUNDING-CLIP: COPPER ALLOY; min. 200µ" TIN over 80µ" NICKEL  
PCB-HOLE:  $\phi 3.1 \pm 0.1$ ; PCB THICKNESS 1.6mm
- P.C.B. HOLE DRILLINGS ON SHEET 2
- MAXIMUM TORQUE VALUE FOR THREAD: 6" LBS
- CONNECTOR IS PART MARKED: PART-NO. CONEC Y/WW
- = CRITICAL DIMENSION

APPROVAL # FREIGABE # DEBLOCAGE # AUTORIZACION # APPROVAL

CUSTOMER APPROVAL DATE:

NAME: TITLE:

COMPANY NAME:

APPROVAL # FREIGABE # DEBLOCAGE # AUTORIZACION # APPROVAL

THIS DRAWING MAY NOT BE COPIED OR REPRODUCED IN ANY WAY, AND MAY NOT BE PASSED ON TO A THIRD PARTY, WITHOUT WRITTEN PERMISSION. OWNERSHIP AND COPYRIGHT OF CONEC GmbH DO NOT ALTER CAD DRAWING BY HAND

rev.	description	date	name

tolerance dim. in mm

scale: 2:1 (5:1)

material: SEE NOTES

title: **D-SUB MALE 90°**  
9-37pos. 0.370inch  
thread insert, mounting bracket, grounding clip

dwg no: AutoCAD 2000 DIN-A

**16K1A804**

part no: SEE TABLE

3 sh:1/2



