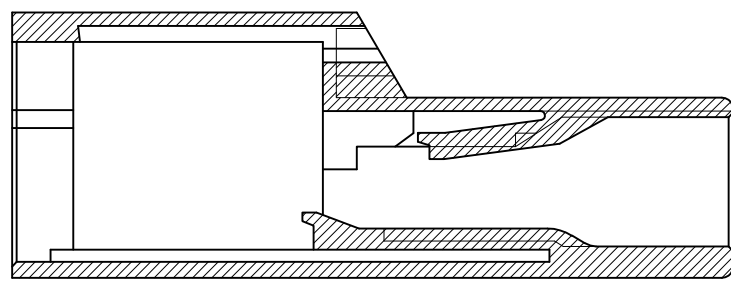
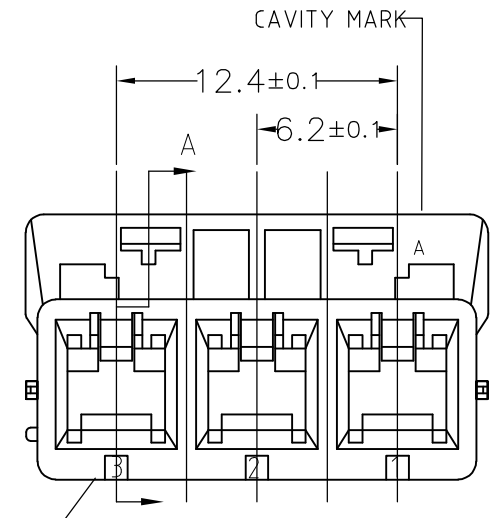
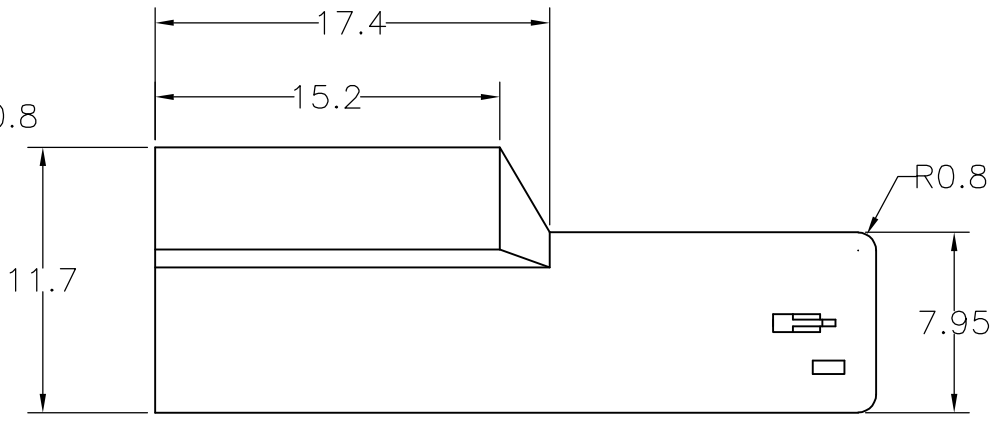
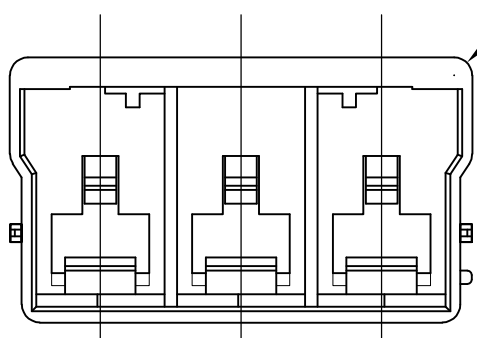
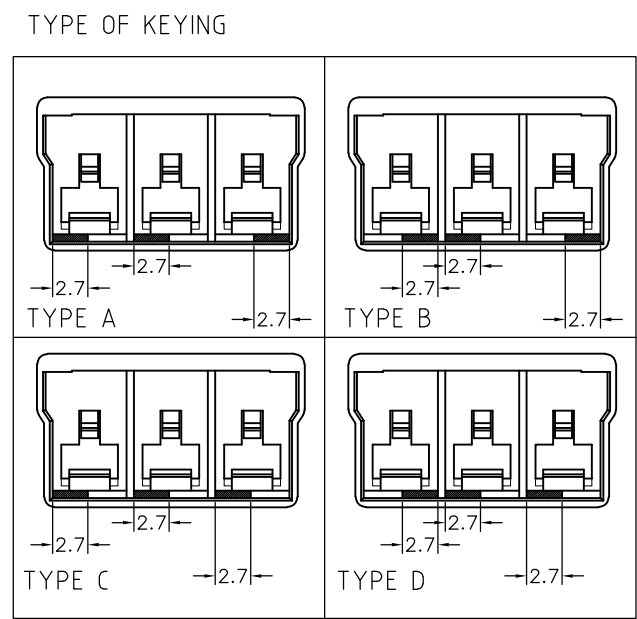
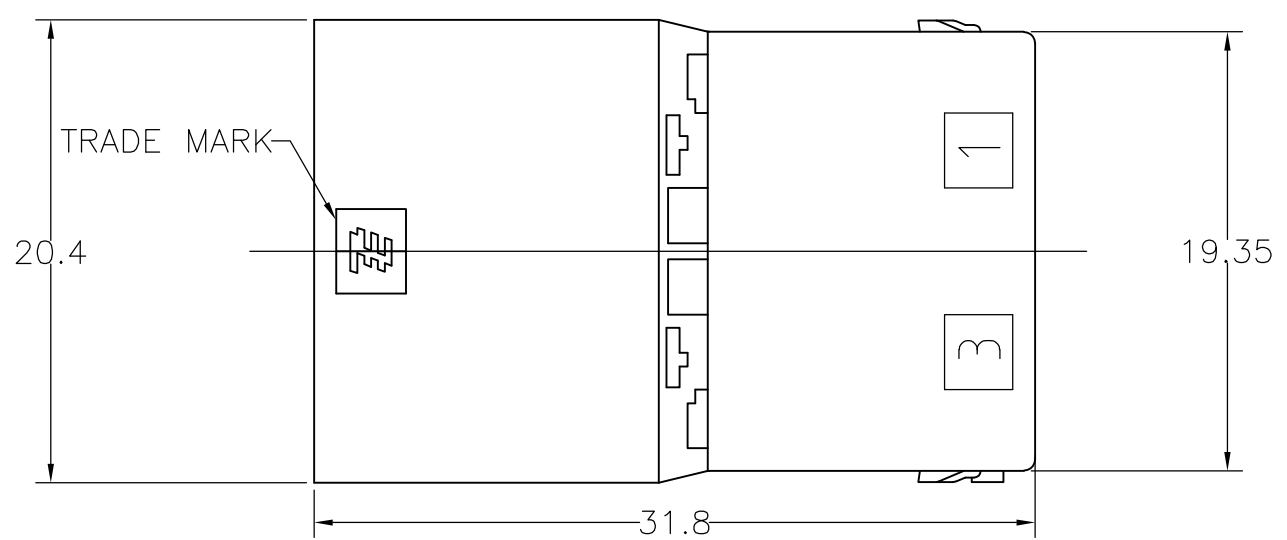


THIS DRAWING IS UNPUBLISHED. RELEASED FOR PUBLICATION
 © COPYRIGHT BY TYCO ELECTRONICS CORPORATION. ALL RIGHTS RESERVED.

LOC	DIST	REVISIONS					
J	—	P	LTR	DESCRIPTION	DATE	DWN	APVD
			B2	REVISED PER ECR-15-009895	2JULY2015	A.Q	D.Z



断面 A-A
SECT A-A

- 注) 1.一般公差:±0.25
 2.材料:66ナイロン ガラス無(UL94V-0)
 3.適用タブコンタクト製品型番:1746973-1
 1746974-1
 4.かん合相手製品型番
 プラグハウジング:TABLE参照のこと
 リセコンタクト:1746971-1
 1746972-1

- NOTES)
 1.GENERAL TOLERANCE:±0.25
 2.MATERIAL:66 NYLON NON-GLASS FILLED (UL94V-0)
 3.APPLICABLE TAB CONTACT P/N:1746973-1
 1746974-1
 △ MATING CONN. P/N
 PLUG HOUSING:SEE TABLE
 REC CONTACT:1746971-1
 1746972-1
 △ PRELIMINARY NOT FOR PRODUCTION

1-1871867-1	△	A	NATURAL	1-1746978-1	△
1871867-1		A	NATURAL	1746978-1	
△ MATING HSG P/N		KEYING TYPE	COLOR		P/N

THIS DRAWING IS A CONTROLLED DOCUMENT.		DWN A.OISHI 17MAY2004	Tyco Electronics AMP K.K. Kawasaki,Japan		
DIMENSIONS: 単位: 耗 MM		CHK N.YAMASAKI 17MAY2004	NAME 名称 GRACE INERTIA CONNECTOR 6.2MM PITCH 3POS CAP HOUSING		
TOLERANCES UNLESS OTHERWISE SPECIFIED: 一般公差		APVD S.MANABE 17MAY2004	PRODUCT SPEC 製品規格 108-5979		
0 PLC ± - 1 PLC ± - 2 PLC ± - 3 PLC ± - 4 PLC ± - ANGLES ± -		APPLICATION SPEC 取付適用規格 114-5356	SIZE A3	CAGE CODE 00779	DRAWING NO 番号 G-1746978
MATERIAL 材料 66NYLON(UL94V-0)	FINISH 仕上 -	WEIGHT -	RESTRICTED TO -		
CUSTOMER DRAWING			SCALE 尺度 3:1	SHEET 1 OF 1	REV B2