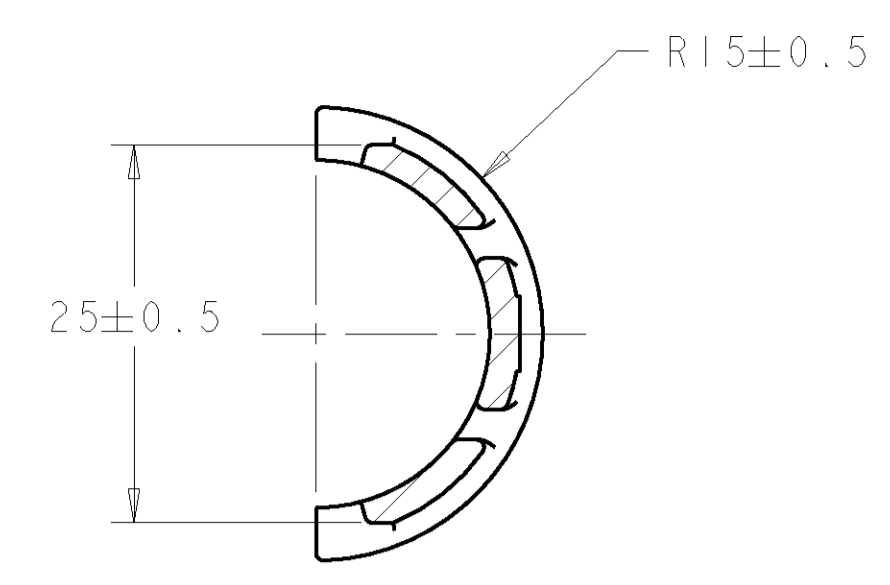
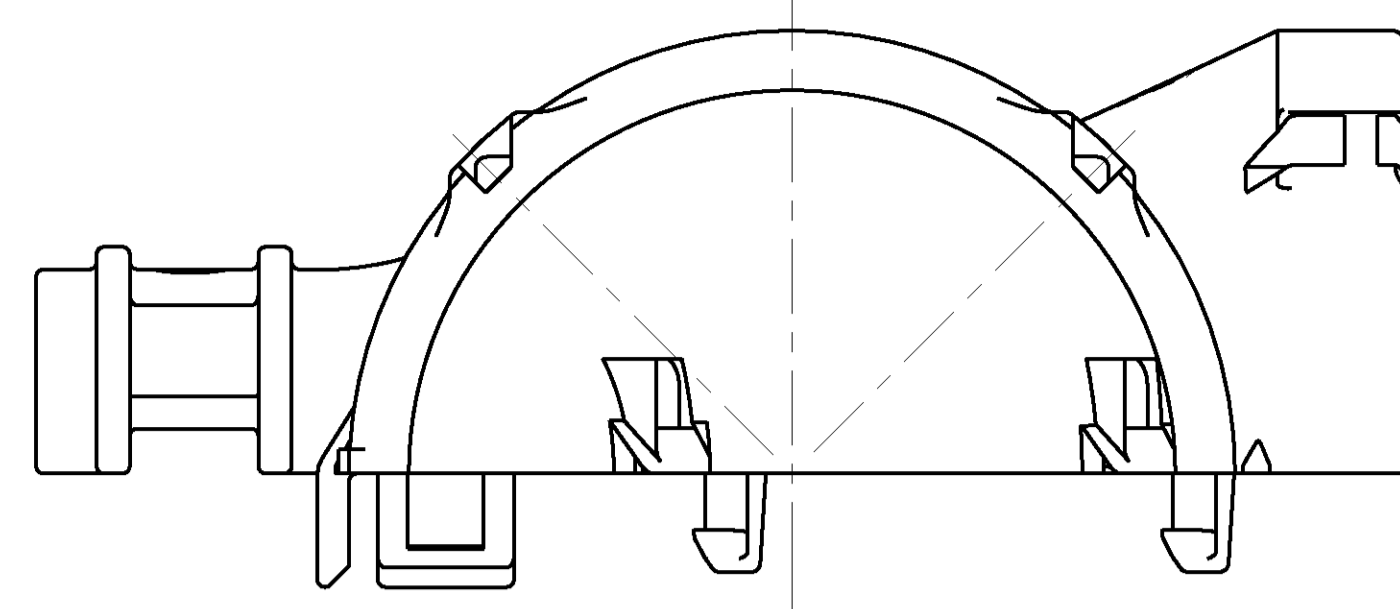
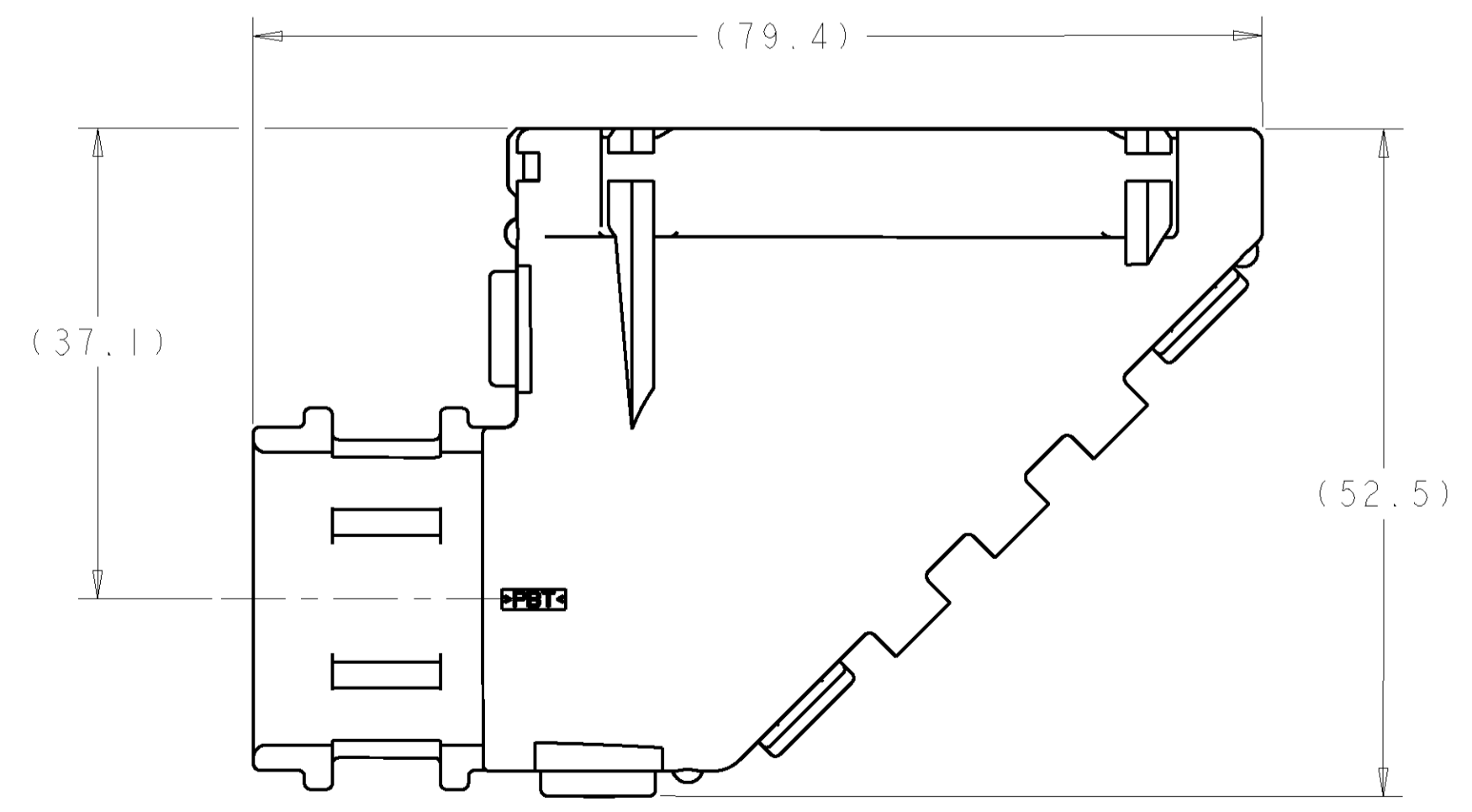
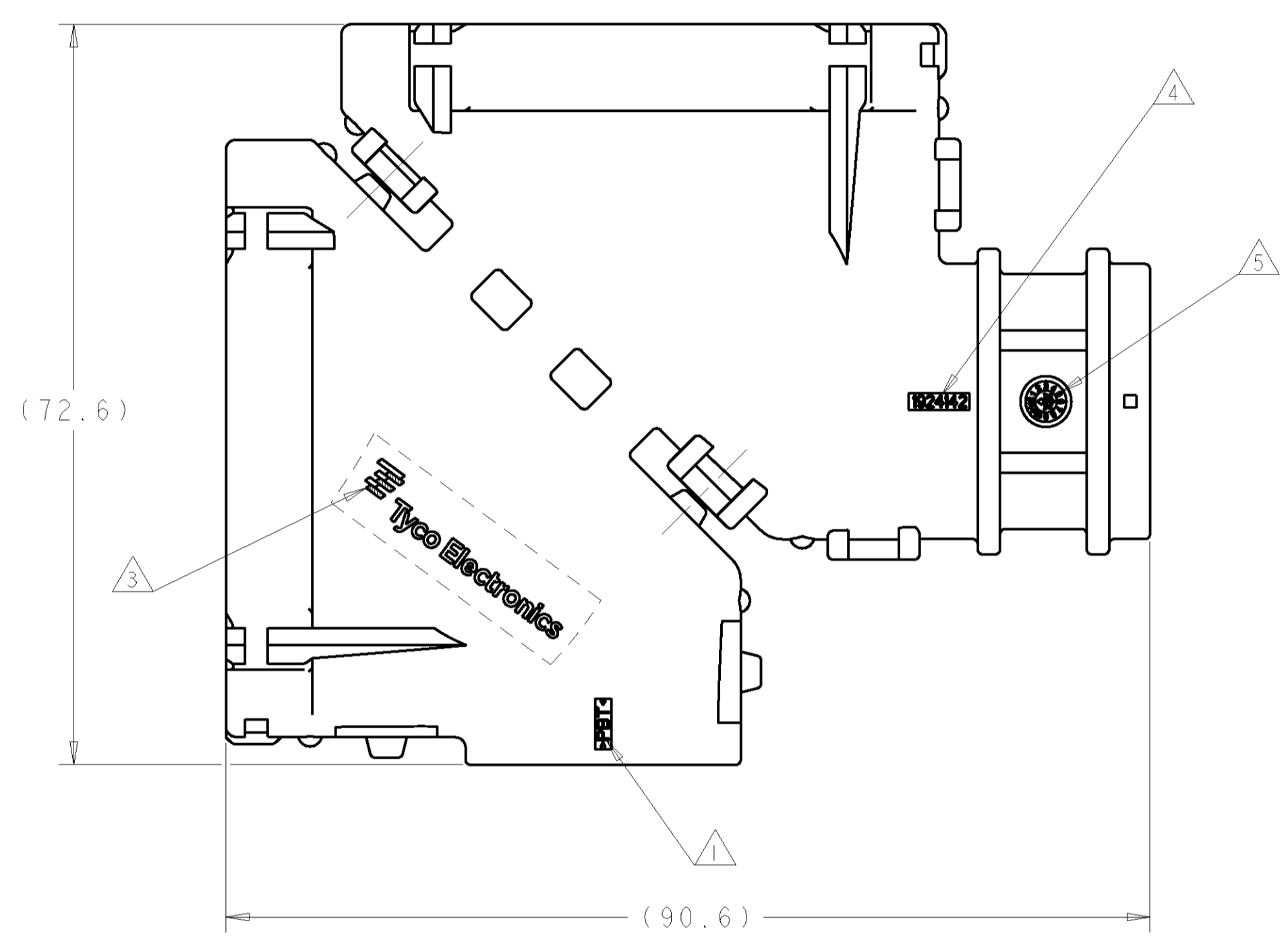
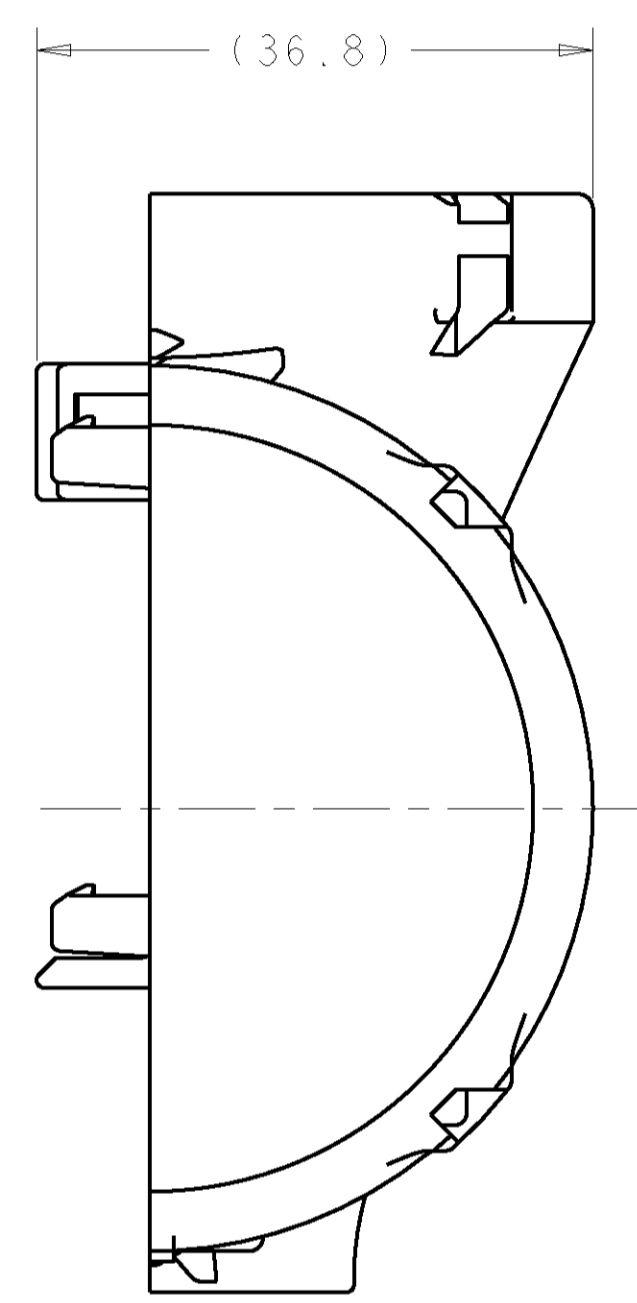
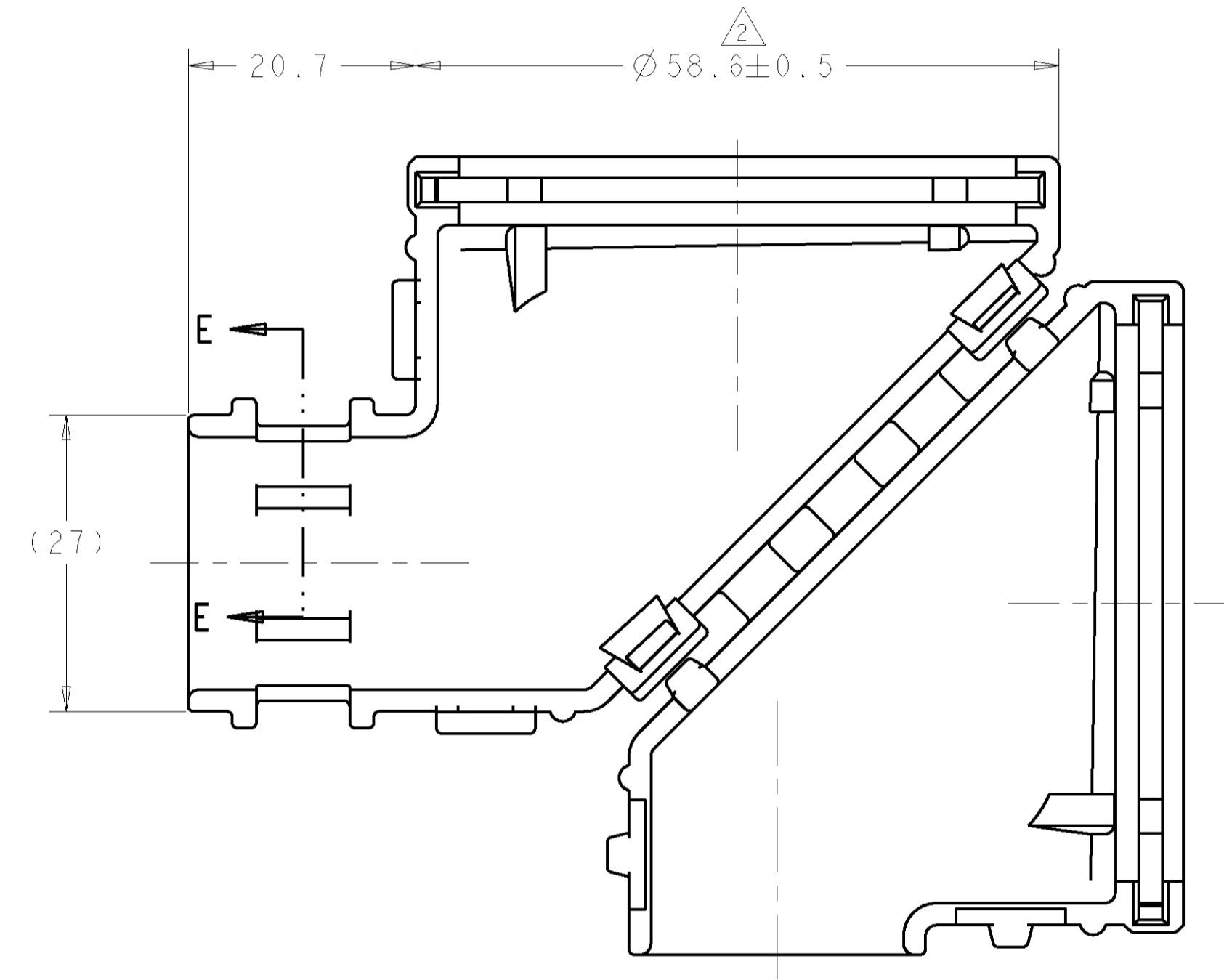


LOC	DISP	REV	DATE	BY	APPV
FX	00	A	15JUN2007	DLD	SC

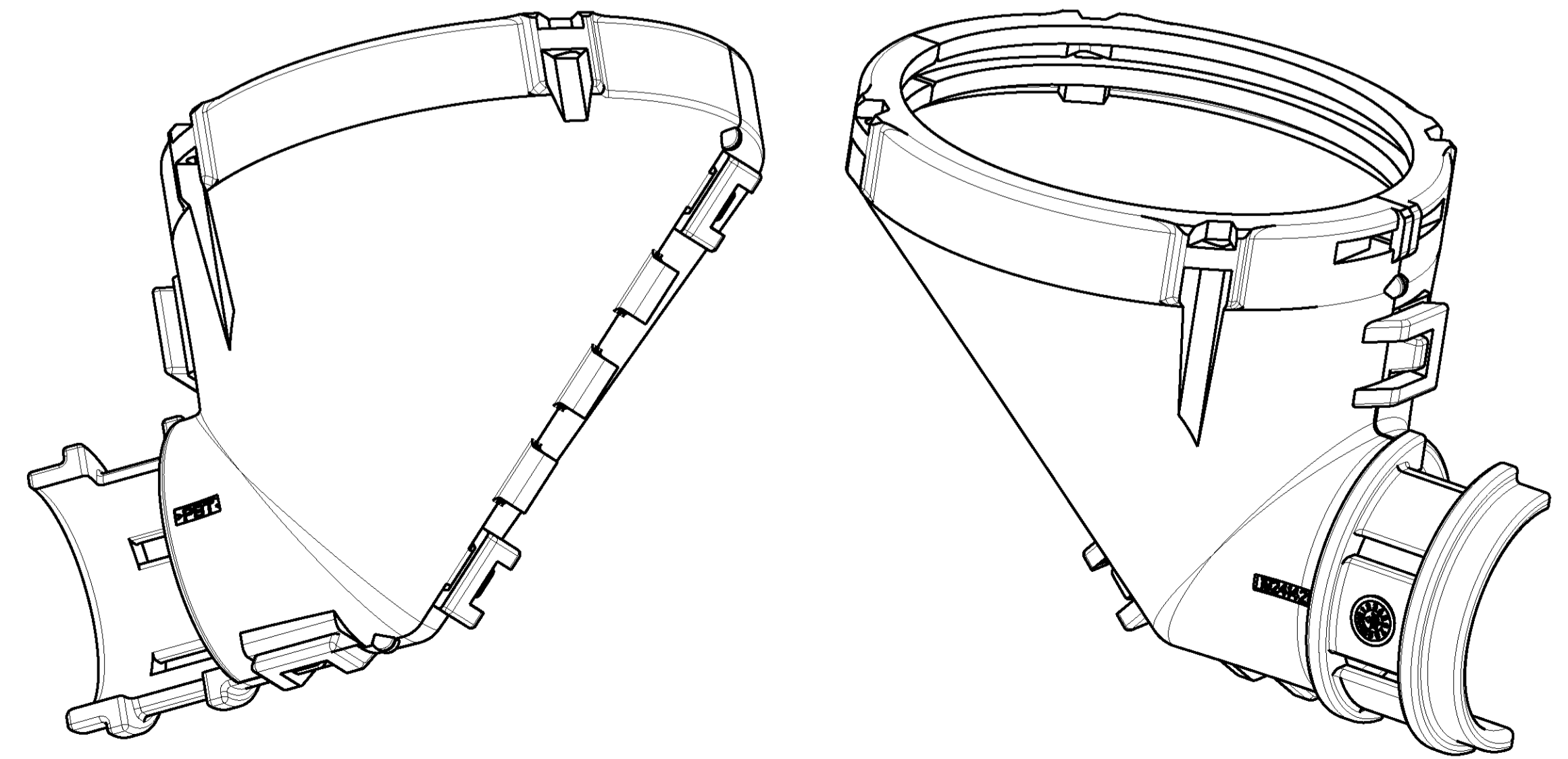


SECTION E-E

- 1 MATERIAL IDENTIFICATION TO BE LOCATED APPROXIMATELY AS SHOWN.
- 2 WARPAGE UP TO ±0.8mm.
- 3 TYCO ELECTRONICS LOGO LOCATED APPROXIMATELY AS SHOWN.
- 4 MOLD TYCO P/N, LOCATED APPROXIMATELY AS SHOWN.
- 5 MOLD DATE CODE USING MONTH AND YEAR CLOCK RECESSED 0.20 MAX. LOCATED APPROXIMATELY AS SHOWN.



FOLDED VIEW



1924142-1
PART NUMBER

DIMENSIONS: mm 		TOLERANCES UNLESS OTHERWISE SPECIFIED: 0 PLC ±0.3 1 PLC ±0.3 2 PLC ±0.20 3 PLC ± 4 PLC ± ANGLES ±°		DWN R. VESTAL 08NOV2006 CHK S. CROSS 08NOV2006 APPV S. CROSS 08NOV2006		Tyco Electronics Harrisburg, PA 17105-3608	
MATERIAL PBT FINISH BLACK		WEIGHT CUSTOMER DRAWING		NAME WIRE COVER, 90 DEGREE, 31 POSITION, CONNECTOR		SIZE CASE CODE DRAWING NO A 00779 C=1924142	
				RESTRICTED TO SCALE 2:1 SHEET 1 OF 1 REV A			