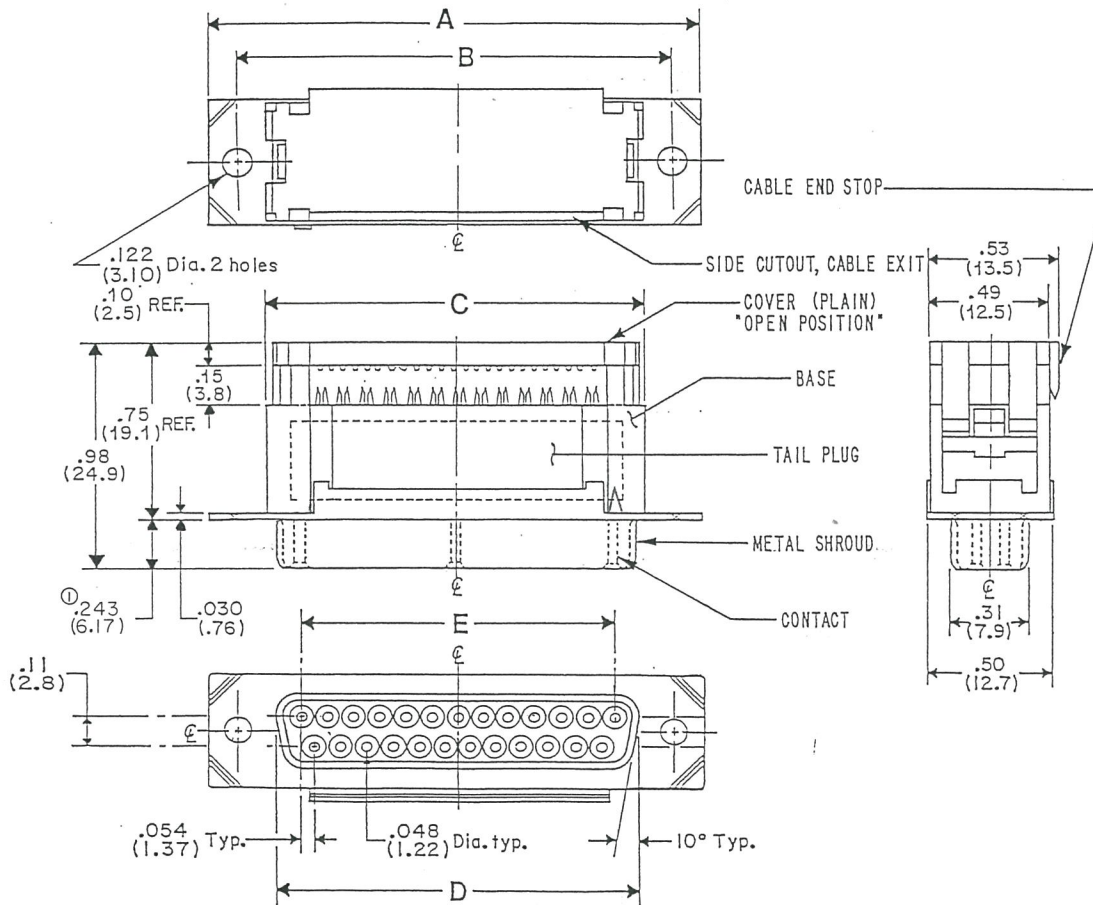


DIMENSIONS IN INCHES (METRIC-MILLIMETERS)
DO NOT SCALE DRAWING..

Drawing Number
CWR-283--0021**

NOTES:

1. Dimensions are in inches; dimensions in () are millimeters.
2. Metric equivalents are given for general information only, and are based upon 1.00 inches equals (25.4) millimeters.



MATERIALS:

PLASTIC PARTS-UL94V-0 thermoplastic (blue, standard) flame retardant.
CONTACTS-Phosphor bronze

CONTACT PLATING- Selective gold plating, .000030 (typ.) gold in mating area and .000100(min.) Tin Plating on the termination end, All over .000050 nickel in remaining area.

OPERATING STANDARDS:

TEMPERATURE RATING-125°C.
CONTACT RATING-1 ampere.
DIELECTRIC STRENGTH-Over 500V.D.C. at sea level.
CONDUCTORS ACCEPTED-28-30AWG solid or stranded.
INSULATION RESISTANCE-Greater than 5 x 10⁹ ohms.

CUSTOMER DRAWING

NO. CONTS.	A	B	C	D	E
9	1.224 (31.09)	.984 (24.99)	.762 (19.35)	.644 (16.36)	.434 (11.02)
15	1.552 (39.42)	1.312 (33.32)	1.088 (27.64)	.970 (24.64)	.760 (19.30)
25	2.092 (53.14)	1.852 (47.04)	1.632 (41.45)	1.514 (38.46)	1.303 (33.10)
37	2.740 (69.60)	2.500 (63.50)	2.284 (58.01)	2.166 (55.02)	1.955 (49.66)

REVISIONS
0 RELEASED 3-4-92 SPR 3-4-92 033K MAR 4 1992
1 .243 WAS .232. D6W 12-29-94 G.G. JAN 3-1995
2 ADDED .000100 MIN. TIN PLATING ON THE TERMINATION END TO CONTACT PLATING. D6W 3-31-2006 G.G. APR 03 2006

ATTENTION
THIS DRAWING AND ITS ATTACHMENTS, IF ANY, ARE PROPRIETARY TO CW INDUSTRIES AND DESCRIBE DESIGNS THAT ARE CONFIDENTIAL AND MUST NOT BE DISCLOSED UNLESS AUTHORIZED, IN WRITING, BY AN OFFICER OF CW INDUSTRIES.....

CW INDUSTRIES
Southampton, Pa. 18966

TOLERANCES UNLESS OTHERWISE SPECIFIED

2 Place decimal ±.010	METRIC
3 Place decimal ±.005	1 Place dec. ±.25MM
Angles ±1°	2 Place dec. ±.13MM

Made for _____
Drawn by SPR 3-4-92
Checker 033K 3-4-92
Eng. appr. 033K 3-4-92

METAL SHROUD "D" CONNECTOR PLUG (FEMALE CONTACTS)

Division CONNECTOR

Drawing Number
CWR-283--0021**

MASTER