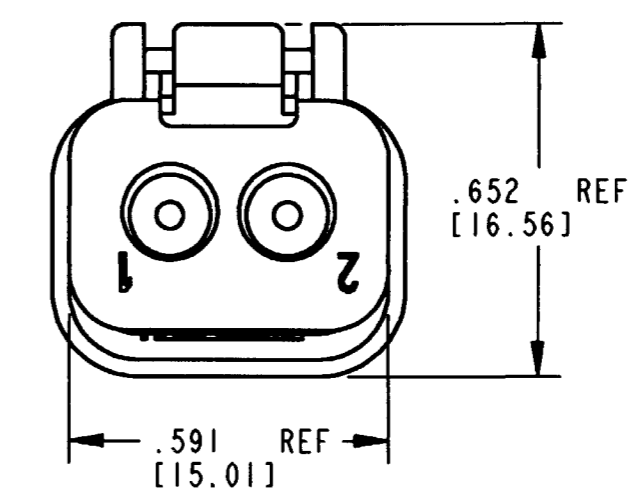
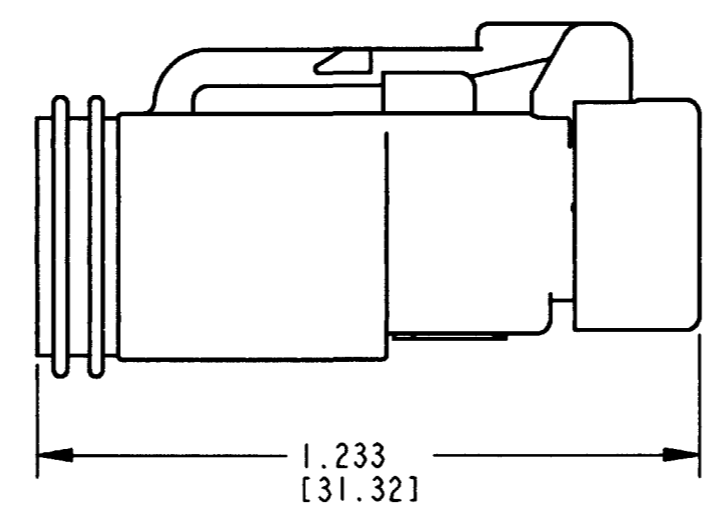
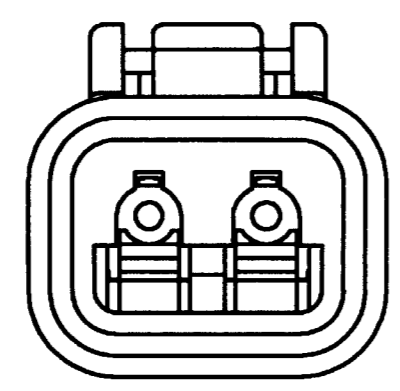
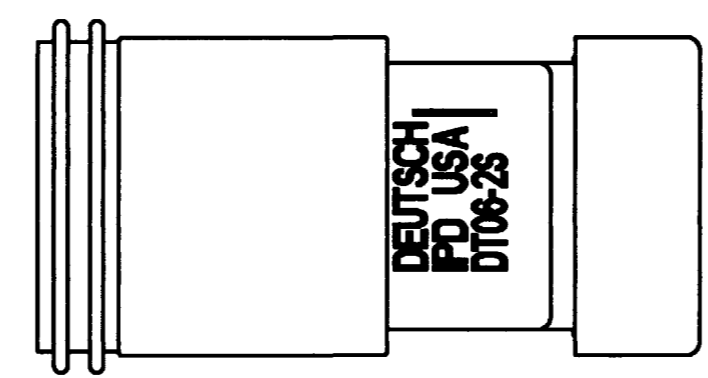


| REV B | DT06-2S-E005 | REVISIONS | | |
|-----------------|-----------------------------|-----------|----------|--|
| SYM | DESCRIPTION | DATE | APPROVED | |
| NC | NEW RELEASE PER E.O. A13781 | 8/19/92 | J.A. | |
| A | REVISED PER E.O. A14912 | 11-9-95 | R.D.R. | |
| B | REVISED PER E.O. P17685 | 4-17-02 | RDR | |



| CONTACT SIZE | MIN. INSUL. O.D. | MAX. INSUL. O.D. | WIRE RANGE [mm ²] REF ONLY |
|--------------|------------------|------------------|--|
| 16 | .088 [2.24] | .145 [3.68] | 14-20 AWG [2.0-0.5] |



5. SHELL MATERIAL: PLASTIC
SEAL MATERIAL: RUBBER
4. THIS PLUG MATES WITH DT04-2P-**** (**** = ALL MODIFICATION)
CONSULT FACTORY FOR MODIFICATIONS.
3. FOR CONTACTS AND WIRE PERFORMANCE AND APPLICATION CHARACTERISTICS,
SEE ENVELOPE DRAWINGS 0425-015-0000 AND 0425-017-0000.
2. ALL DIMENSIONS ARE ±.025 [0.64] UNLESS OTHERWISE SPECIFIED.
1. ALL DIMENSIONS ARE IN INCHES [MILLIMETERS].
- NOTES:

| | | | | |
|------------------|------------------------|---|--|-----------------------|
| SIGNATURE & DATE | | 2 WAY PLUG -E005 MOD. COLOR: BLACK D.T. SERIES | CP | MATL. CODE |
| DR | X. SANCHEZ 22MAR02 | | The Deutsch Company DEUTSCH I.P.D. 3850 INDUSTRIAL AVE. HEMET, CALIF. 92545 | |
| CHK | Jamil C. Lopez 4/11/02 | | B DT06-2S-E005 | |
| PE | John Johnson 4/19/02 | | | |
| APPD | SBend 4-9-02 | ENVELOPE | DWG SIZE | CODE 11139 SHEET OF |
| SCALE | NONE WT | | | |

OBSOLETE
NOT the LATEST
REVISION