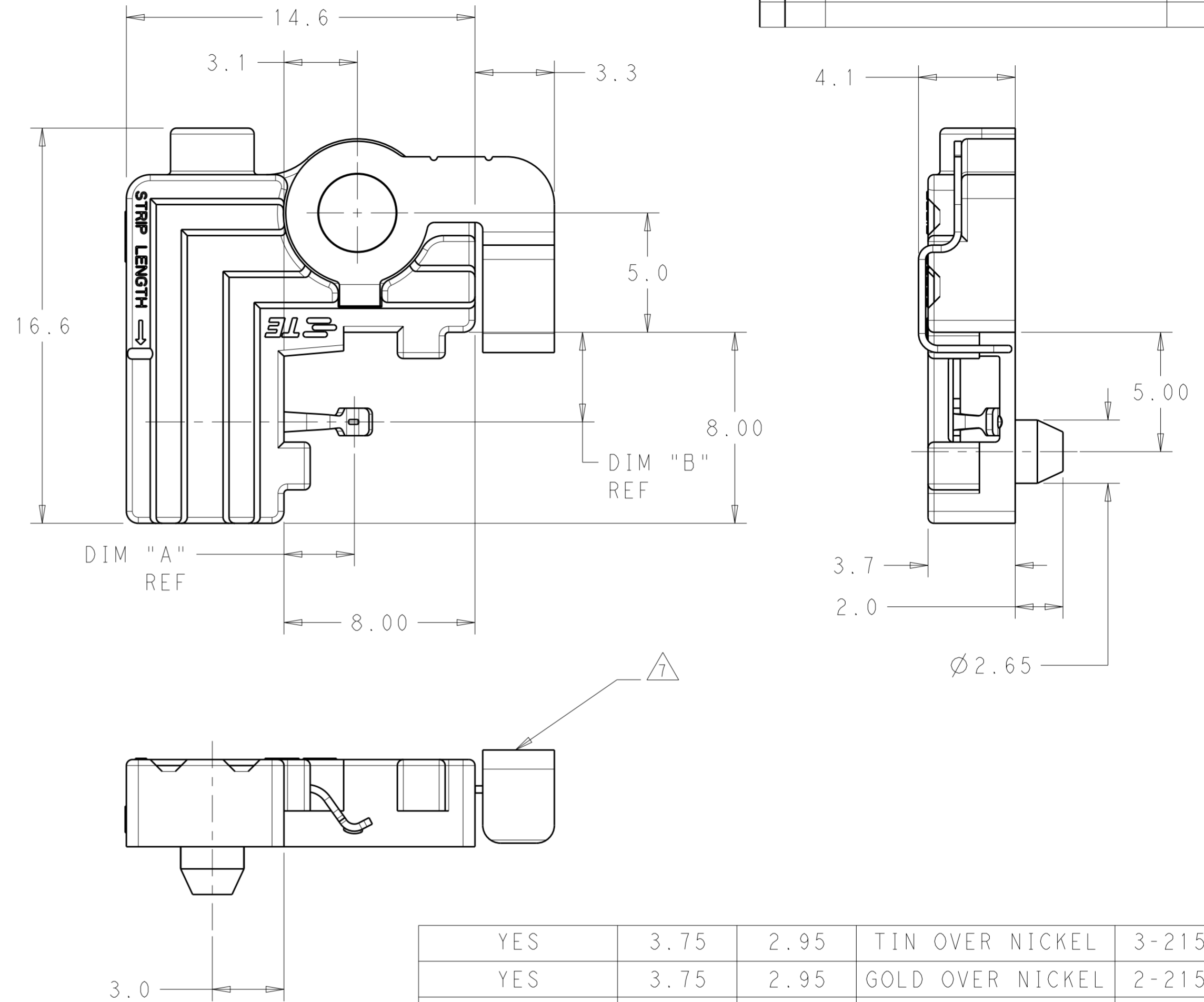


THIS DRAWING IS UNPUBLISHED. RELEASED FOR PUBLICATION 20
 © COPYRIGHT 20 BY - ALL RIGHTS RESERVED.

| LOC | | DIST | | REVISIONS | | | |
|-----|-----|---------------------------|-----------|-----------|------|--|--|
| P | LTR | DESCRIPTION | DATE | DWN | APVD | | |
| | A | REVISED PER ECR-15-007373 | 31JUL2015 | RS | DD | | |

NOTES:

- 1. MATERIALS AND FINISH:
 -HOUSING: PBT-GF, COLOR: NATURAL
 -CONTACTS: COPPER ALLOY
 FINISH: SEE TABLE
 -THERMAL SPRING: STAINLESS STEEL
- 2. MUST COMPLY WITH DIRECTIVE 2002/95/EC (ROHS)
- 3. REFER TO LED MANUFACTURER'S DATASHEET FOR LED DIMENSIONS
- 4. REFER TO LED DATASHEET FOR RECOMMENDED THERMAL INTERFACE MATERIALS
- 5. RECOMMENDED SCREW SIZE: M3 OR #4.
 TORQUE SCREWS TO 2.5 in-lbf TO 4.0 in-lbf
- 6. WIRE TYPES AND SIZES ACCEPTED
 18, 20 AND 22 AWG SOLID WIRE
 18 AND 20 AWG PREBOND STRANDED WIRE
 18 AWG STRANDED WIRE (16 STRAND COUNT)
 MAX INSULATION OD: 2.10 MM
 STRIP LENGTH: 7.5±1.0
- 7. IN APPLICATIONS WHERE THE LED SUBSTRATE IS LESS THAN 1.50MM THICK A THERMAL SPRING IS REQUIRED. AS NOTED IN THE TABLE THE THERMAL SPRINGS WILL BE INSTALLED PRIOR TO SHIPMENT FROM THE TE FACTORY.
- 8. REQUIRES THE USE OF LED WITH GOLD PLATED PADS
- 9. RECOMMENDED PCB PAD AND HEAT SINK LAYOUT FOR LED PANEL APPLICATIONS. THE RECOMMENDED LED HOLDER FOR THESE APPLICATIONS IS PART NUMBER 1-2154857-3. IN APPLICATIONS WHERE THE LED PANEL IS LESS THAN 1.5MM THICK USE 3-2154857-3 WITH THERMAL SPRINGS IF THERMAL PRESSURE FROM THE HOLDER IS REQUIRED.
- 10. IN APPLICATIONS WHERE THE LED SUBSTRATE IS LESS THAN 1.50MM THICK AND A THERMAL SPRING IS NOT USED IT IS THE RESPONSIBILITY OF THE END USER TO ENSURE THAT ADEQUATE SYSTEM THERMAL PERFORMANCE IS ACHIEVED. THE LED HOLDER ALONE WILL NOT PROVIDE ENOUGH FORCE BY ITSELF TO GENERATE A RELIABLE AND STABLE THERMAL SOLUTION FOR THE LED.



| | | | | |
|----------------|---------|---------|------------------|-------------|
| YES | 3.75 | 2.95 | TIN OVER NICKEL | 3-2154857-3 |
| YES | 3.75 | 2.95 | GOLD OVER NICKEL | 2-2154857-3 |
| YES | 2.25 | 2.00 | GOLD OVER NICKEL | 2-2154857-2 |
| YES | 1.85 | 1.55 | GOLD OVER NICKEL | 2-2154857-1 |
| NO | 3.75 | 2.95 | TIN OVER NICKEL | 1-2154857-3 |
| NO | 2.25 | 2.00 | TIN OVER NICKEL | 1-2154857-2 |
| NO | 3.75 | 2.95 | GOLD OVER NICKEL | 2154857-3 |
| THERMAL SPRING | DIM "B" | DIM "A" | CONTACT PLATING | PART NUMBER |

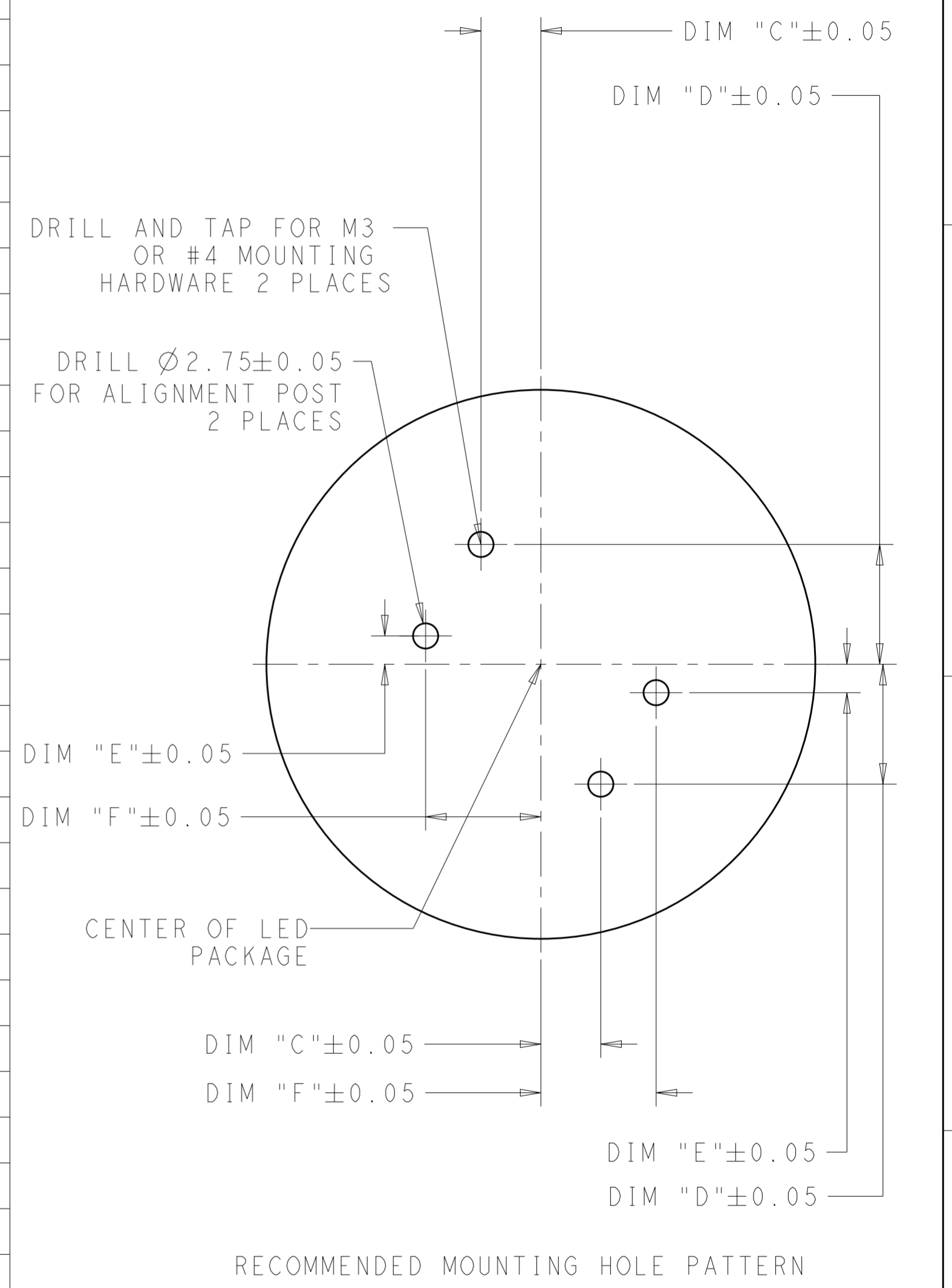
THIS DRAWING IS A CONTROLLED DOCUMENT.

| | | | | |
|-------------|--|------------------|------------|-------------------------------|
| DIMENSIONS: | TOLERANCES UNLESS OTHERWISE SPECIFIED: | DWN | 16MAR2012 | TE Connectivity |
| mm | 0 PLC ± | CHK | 16MAR2012 | |
| | 1 PLC ±0.2 | APVD | 16MAR2012 | |
| | 2 PLC ±0.13 | | | |
| | 3 PLC ±0.001 | PRODUCT SPEC | 108-133005 | NAME |
| | 4 PLC ±0.0001 | APPLICATION SPEC | 114-32043 | TWO PIECE ASSEMBLY |
| MATERIAL | FINISH | WEIGHT | - | LUMAWISE LED HOLDER, SCALABLE |
| | | Customer Drawing | | SIZE |
| | | | | A200779 |
| | | | | CAGE CODE |
| | | | | G-2154857 |
| | | | | DRAWING NO |
| | | | | RESTRICTED TO |
| | | | | - |
| | | | | SCALE |
| | | | | 6:1 |
| | | | | SHEET |
| | | | | 1 OF 3 |
| | | | | REV |
| | | | | A |

THIS DRAWING IS UNPUBLISHED. RELEASED FOR PUBLICATION 20
 © COPYRIGHT 20 BY - ALL RIGHTS RESERVED.

| LOC | | DIST | | REVISIONS | | | |
|-----|-----|-------------|------|-----------|------|--|--|
| P | LTR | DESCRIPTION | DATE | DWN | APVD | | |
| - | - | SEE SHEET 1 | - | - | - | | |

| LED TYPE | LED DIMENSION | DIM "C" | DIM "D" | DIM "E" | DIM "F" | RECOMMENED SOCKET PART NUMBER |
|--------------------------------|---------------|---------|---------|---------|---------|-------------------------------|
| BRIDGELUX ES | 25.5 X 22.3 | 9.70 | 16.30 | 6.30 | 15.80 | 1-2154857-2 |
| BRIDGELUX LS | 17.5 X 13.3 | 5.83 | 11.83 | 1.83 | 11.93 | 1-2154857-3 |
| BRIDGELUX V10 | 15.8 X 15.80 | 4.95 | 13.05 | 3.05 | 11.05 | 2-2154857-1 |
| BRIDGELUX V15 | 21.0 X 21.0 | 7.55 | 15.65 | 5.65 | 13.65 | 2-2154857-1 |
| CITIZEN CLL020/022 | 13.5 X 13.5 | 3.80 | 11.90 | 1.90 | 9.90 | 2-2154857-1 |
| CITIZEN CLL030/032 | 19.0 X 19.0 | 6.55 | 14.65 | 4.65 | 12.65 | 2-2154857-1 |
| CITIZEN CLL040/042 | 28.0 X 28.0 | 11.05 | 19.15 | 9.15 | 17.15 | 2-2154857-2 |
| CITIZEN CLL050/052 | 38.0 X 38.0 | 16.05 | 24.15 | 14.15 | 22.15 | 2-2154857-2 |
| CITIZEN L330 | 28.0 X 19.0 | 11.05 | 14.65 | 4.65 | 17.15 | 2-2154857-3 |
| CITIZEN L340 | 28.5 X 28.5 | 11.30 | 19.40 | 9.40 | 17.40 | 2-2154857-3 |
| CREE CXA2011 | 22.0 X 22.0 | 8.05 | 16.15 | 6.15 | 14.15 | 1-2154857-3 |
| CREE CXA13XX | 13.35 X 13.35 | 3.73 | 11.83 | 1.83 | 9.83 | 2-2154857-2 |
| CREE CXA15XX | 15.85 X 15.85 | 4.98 | 13.08 | 3.08 | 11.08 | 2-2154857-2 |
| CREE CXA1816 | 17.85 X 17.85 | 5.98 | 14.08 | 4.08 | 12.08 | 2-2154857-2 |
| CREE CXA1830 | 17.85 X 17.85 | 5.98 | 14.08 | 4.08 | 12.08 | 2-2154857-1 |
| CREE CXA25XX | 23.85 X 23.85 | 8.98 | 17.08 | 7.08 | 15.08 | 2-2154857-2 |
| CREE CXA30XX | 27.35 X 27.35 | 10.73 | 18.83 | 8.83 | 16.83 | 2-2154857-2 |
| CREE CXA3590 | 34.85 x 34.85 | 14.48 | 22.58 | 12.58 | 20.58 | 2154857-3 Δ_{10} |
| EDISON-OPTO 2PHM09X | 13.5 X 13.5 | 3.80 | 11.90 | 1.90 | 9.90 | 2-2154857-1 |
| EDISON-OPTO 2PHM30X | 19.0 X 19.0 | 6.55 | 14.65 | 4.65 | 12.65 | 2-2154857-1 |
| LG INNOTEK 10,13,17,24W LEMWM | 24.4 X 18.0 | 9.25 | 14.15 | 4.15 | 15.35 | 2-2154857-2 |
| NICHIA COB L SERIES | 19.0 X 16.0 | 6.55 | 13.15 | 3.15 | 12.65 | 2-2154857-1 |
| NICHIA COB-J360 | 24.0 X 19.0 | 9.05 | 14.65 | 4.65 | 15.15 | 2-2154857-1 |
| OSRAM GW KAJ | 30.0 X 30.0 | 12.05 | 20.15 | 10.15 | 18.15 | 3-2154857-3 |
| PHILIPS 1203 | 19.0 X 16.0 | 6.55 | 13.15 | 3.15 | 12.65 | 2-2154857-2 |
| PHILIPS 1204,1205,1208 | 24.0 X 20.0 | 9.05 | 15.15 | 5.15 | 15.15 | 2-2154857-3 |
| SAMSUNG LC013B | 17.0 X 17.0 | 5.55 | 13.65 | 3.65 | 11.65 | 2-2154857-3 |
| SAMSUNG LC026B,LC040B | 21.5 X 21.5 | 7.80 | 15.90 | 5.90 | 13.90 | 2-2154857-3 |
| SHARP MINI-ZENIGATA Δ_8 | 15.0 X 12.0 | 4.55 | 11.15 | 1.15 | 10.65 | 2-2154857-1 |
| SHARP MEGA-ZENIGATA Δ_8 | 24.0 X 20.0 | 9.05 | 15.15 | 5.15 | 15.15 | 2-2154857-3 |
| SEOUL SEMI SBWW1F1A | 13.25 X 13.25 | 3.68 | 11.78 | 1.78 | 9.78 | 2-2154857-1 |
| SEOUL SEMI SBWW2F1A | 17.75 X 17.75 | 5.93 | 14.03 | 4.03 | 12.03 | 2-2154857-2 |



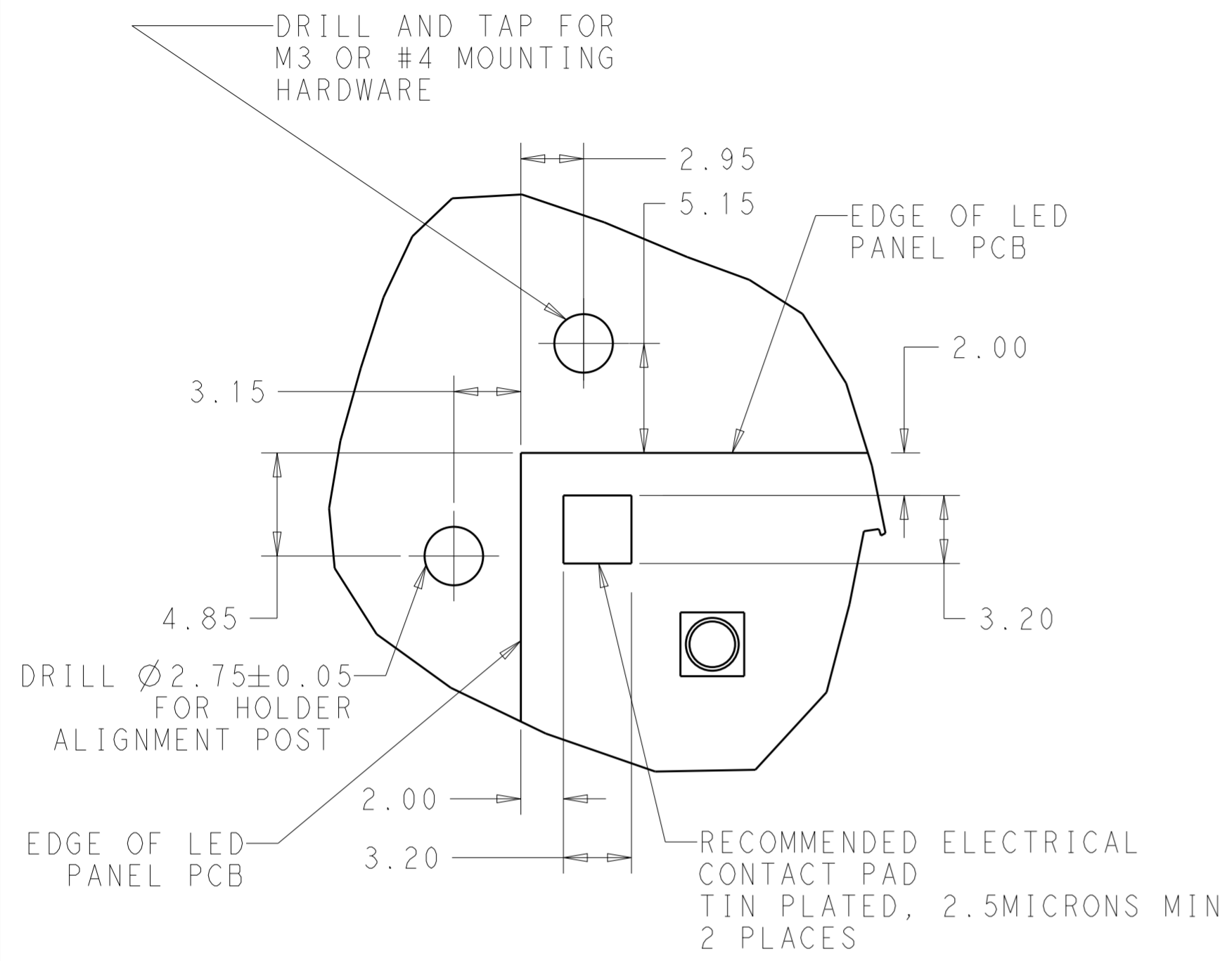
THIS DRAWING IS A CONTROLLED DOCUMENT.

| | | | |
|----------------|--|-----------------------------|---|
| DIMENSIONS: mm | TOLERANCES UNLESS OTHERWISE SPECIFIED: | DWN M. MOSTOLLER 16MAR2012 | TE Connectivity TWO PIECE ASSEMBLY LUMAWISE LED HOLDER, SCALABLE |
| | 0 PLC \pm | CHK M. MOSTOLLER 16MAR2012 | |
| | 1 PLC ± 0.2 | APVD M. MOSTOLLER 16MAR2012 | |
| | 2 PLC ± 0.13 | | |
| | 3 PLC ± 0.001 | PRODUCT SPEC 108-133005 | SIZE CAGE CODE DRAWING NO RESTRICTED TO |
| | 4 PLC ± 0.0001 | APPLICATION SPEC 114-32043 | A200779 C-2154857 |
| MATERIAL | FINISH | WEIGHT | SCALE 6:1 SHEET 2 OF 3 REV A |

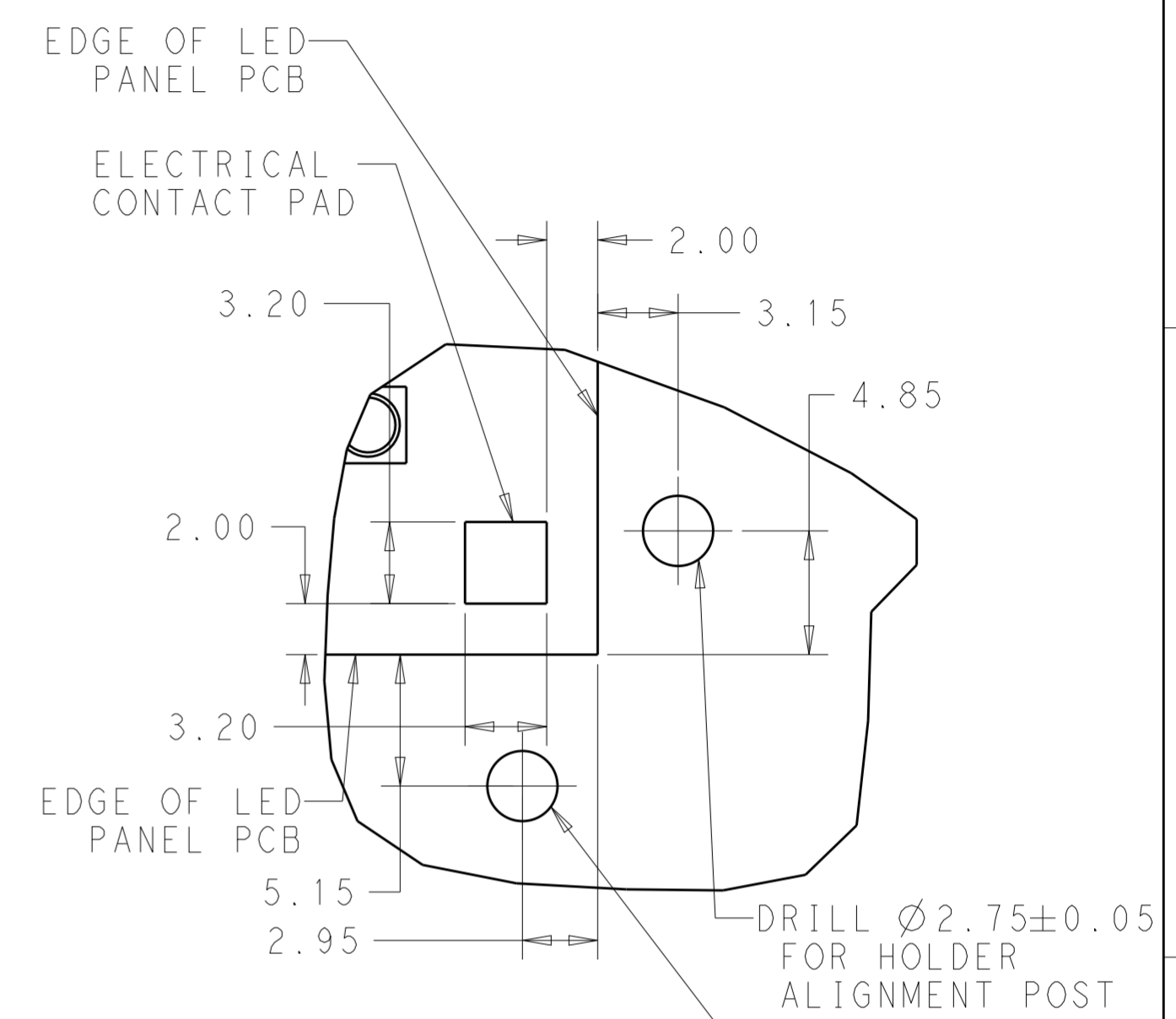
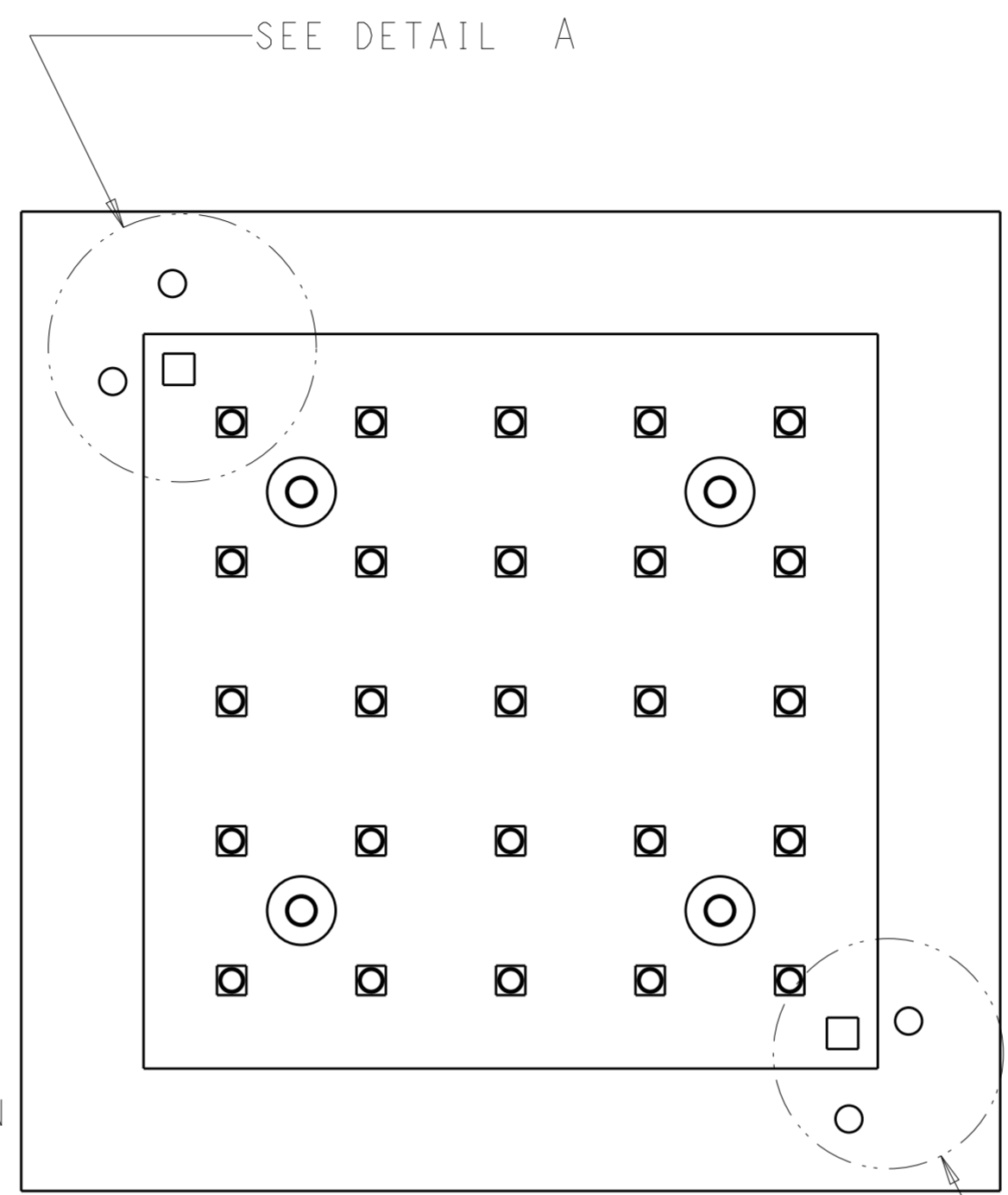
Customer Drawing

THIS DRAWING IS UNPUBLISHED. RELEASED FOR PUBLICATION 20
 © COPYRIGHT 20 BY - ALL RIGHTS RESERVED.

| LOC | | DIST | | REVISIONS | | | |
|-----|-----|-------------|------|-----------|------|--|--|
| P | LTR | DESCRIPTION | DATE | DWN | APVD | | |
| - | - | SEE SHEET 1 | - | - | - | | |

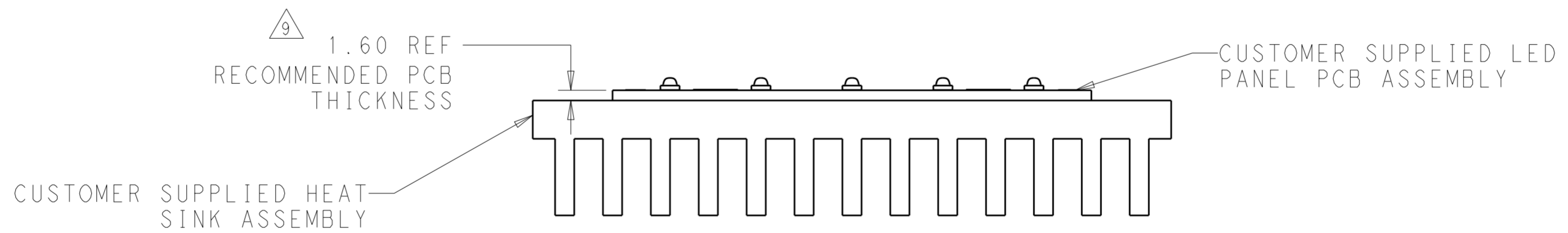


9 DETAIL A SCALE 4:1



9 DETAIL B SCALE 4:1

SEE DETAIL B



9 APPLICATION NOTE: IN ADDITION TO USE WITH COB LEDS THE SCALABLE LED HOLDER CAN BE UTILIZED TO MAKE AN ELECTRICAL CONNECTION TO FR4 OR IMS PCB ASSEMBLIES. RECOMMENDED DIMENSIONAL INFORMATION FOR THIS TYPE OF APPLICATION IS SHOWN IN THE DRAWING VIEWS ABOVE.

| | | | | |
|--|--|-----------------------------|---|--|
| THIS DRAWING IS A CONTROLLED DOCUMENT. | | DWN M. MOSTOLLER 16MAR2012 | TE Connectivity | |
| | | CHK M. MOSTOLLER 16MAR2012 | | |
| | | APVD M. MOSTOLLER 16MAR2012 | NAME TWO PIECE ASSEMBLY LUMAWISE LED HOLDER, SCALABLE | |
| DIMENSIONS: mm | | PRODUCT SPEC 108-133005 | SIZE CAGE CODE DRAWING NO RESTRICTED TO | |
| TOLERANCES UNLESS OTHERWISE SPECIFIED: | | APPLICATION SPEC 114-32043 | A200779 C-2154857 | |
| 0 PLC ± | | WEIGHT - | SCALE 6:1 SHEET 3 OF 3 REV A | |
| 1 PLC ±0.2 | | Customer Drawing | | |
| 2 PLC ±0.13 | | | | |
| 3 PLC ±0.001 | | | | |
| 4 PLC ±0.0001 | | | | |
| ANGLES ±2 | | | | |
| FINISH | | | | |