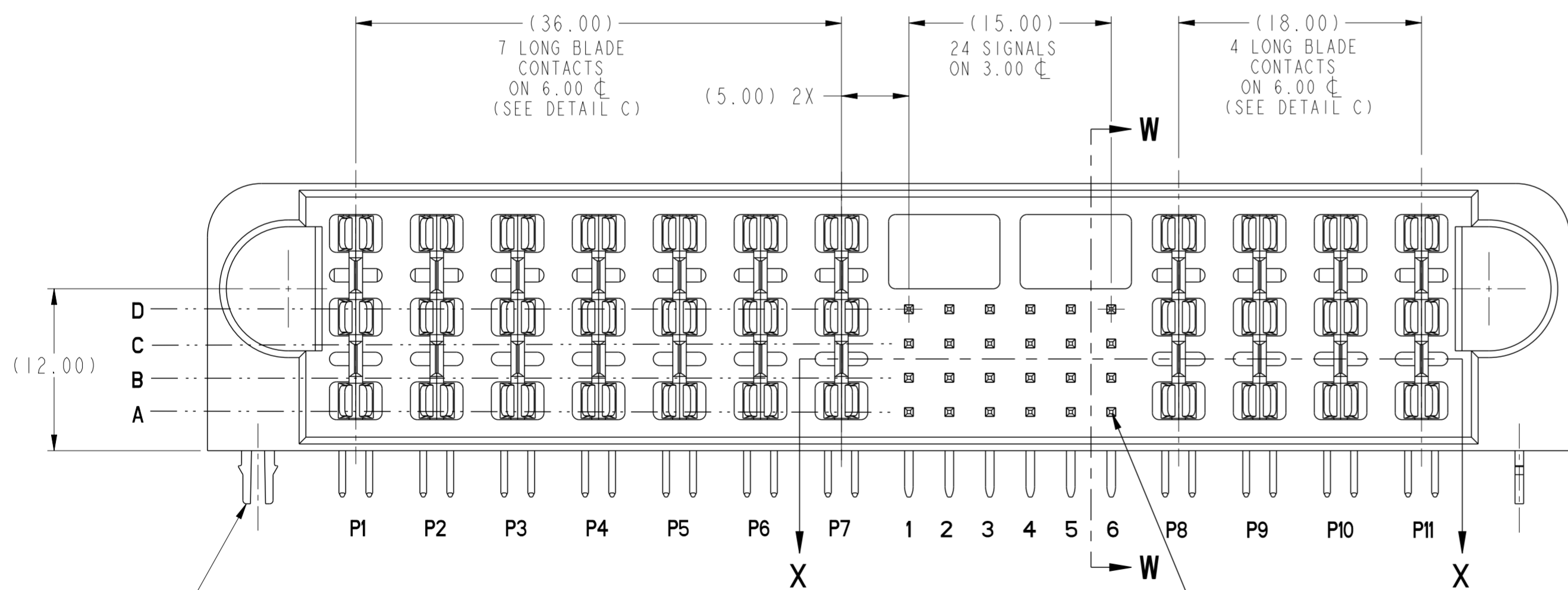
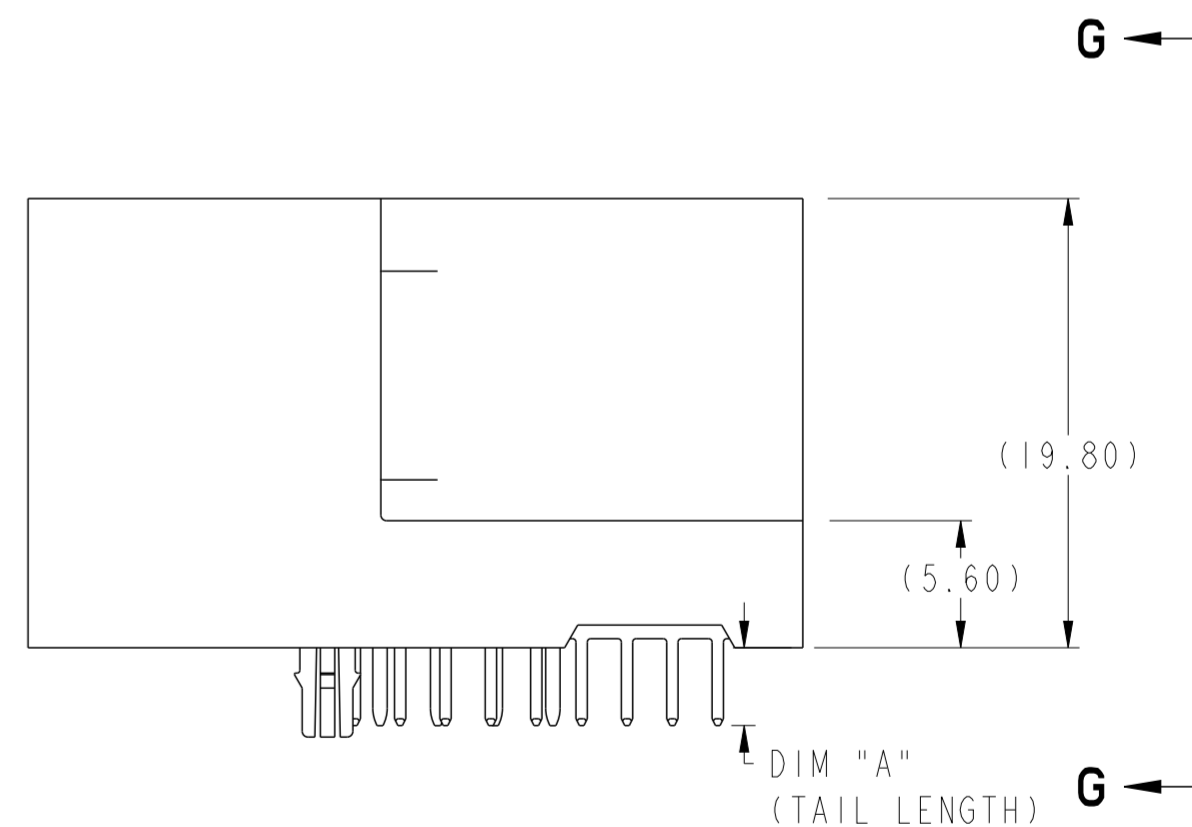


SEE DETAIL C
SECTION X-X



POSITION A6
SHORT DETECT PIN



HOUSING
NOTE 8

Copyright FCI.

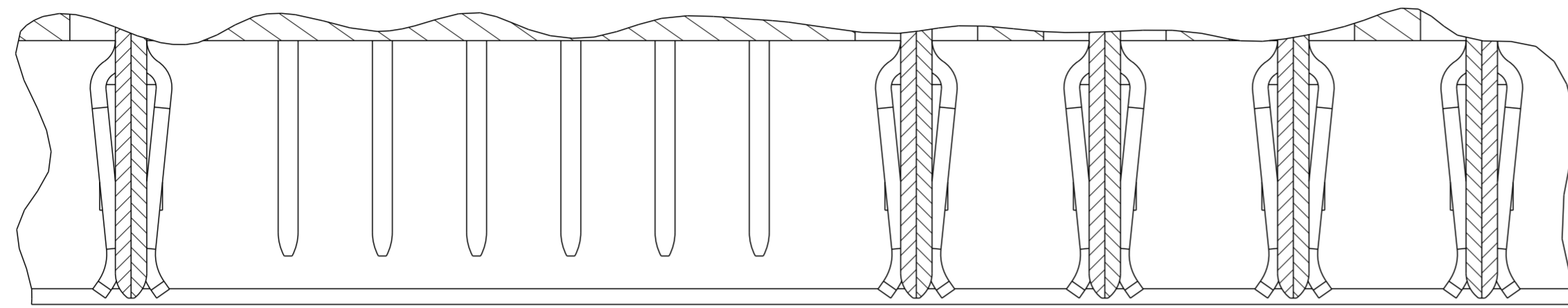


| | | | | | | | | | | | | | | | | | | | | |
|---------------------------------------|---|-------------|---------------|------------|------------------------|--------------|----------|----------------|-------|-----|-------|-------|---------|----|-----|------|----------------|------------|----------------|-----|
| spec ref | - | dr | NotFound DuWa | 2010/04/28 | projection | MM | size | A2 | scale | 3:1 | | | | | | | | | | |
| tolerance std | ASME Y14.5 | eng | De-Ming Lu | 2014/12/28 | | | ecn no | ELX-DG-19849-1 | | | | | | | | | | | | |
| TOLERANCES UNLESS OTHERWISE SPECIFIED | | chr | - | rel level | | | Released | | | | | | | | | | | | | |
| surface | <table border="1"> <tr> <td>linear</td> <td>0.X</td> <td>±0.5</td> </tr> <tr> <td></td> <td>0.XX</td> <td>±0.25</td> </tr> <tr> <td></td> <td>0.XXX</td> <td>±0.10</td> </tr> <tr> <td>angular</td> <td>0°</td> <td>±2°</td> </tr> </table> | linear | 0.X | ±0.5 | | | | 0.XX | ±0.25 | | 0.XXX | ±0.10 | angular | 0° | ±2° | appr | Pei-Ming Zheng | 2014/12/29 | product family | HCI |
| linear | 0.X | ±0.5 | | | | | | | | | | | | | | | | | | |
| | 0.XX | ±0.25 | | | | | | | | | | | | | | | | | | |
| | 0.XXX | ±0.10 | | | | | | | | | | | | | | | | | | |
| angular | 0° | ±2° | | | | | | | | | | | | | | | | | | |
| ASME Y14.5 | | www.fci.com | cat. no. | - | Product - Customer Drw | sheet 1 of 5 | | | | | | | | | | | | | | |

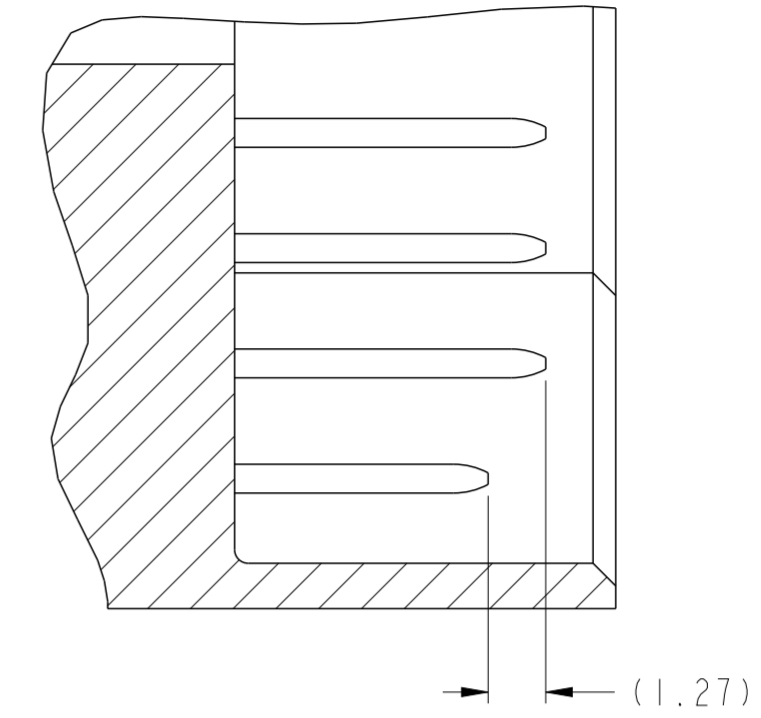
PDS: Rev :B

STATUS:Released

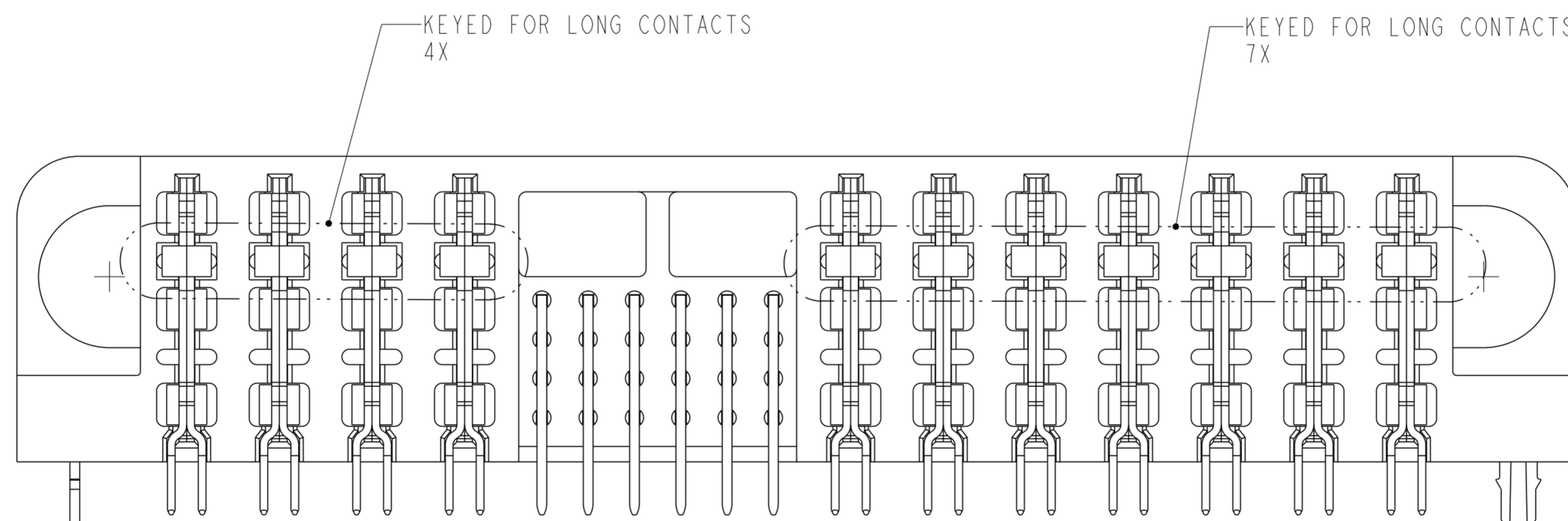
Printed: Dec 30, 2014



DETAIL C
SCALE 6:1
 POWER MATING
 SEQUENCE

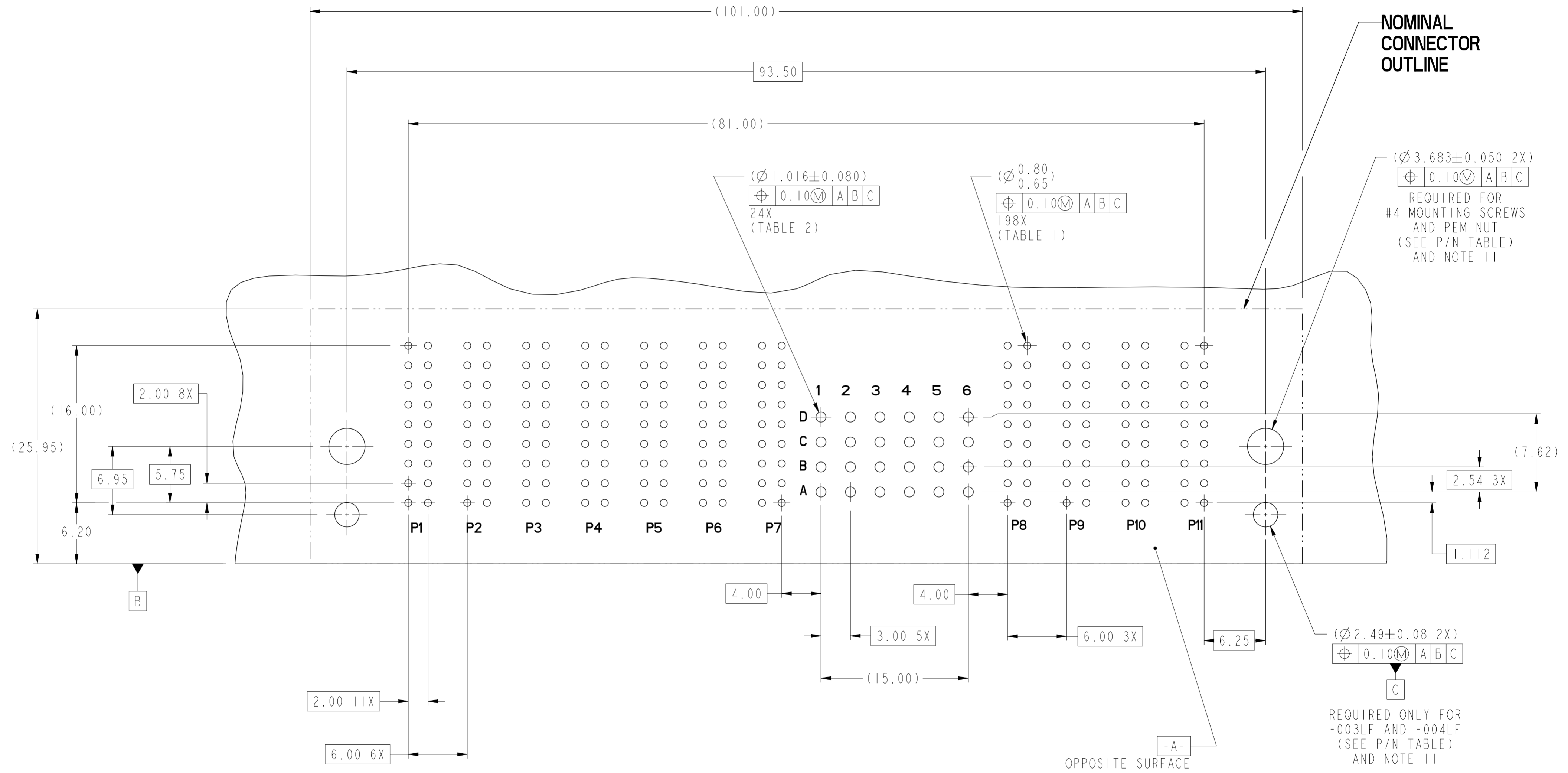


SECTION W-W
SCALE 6:1
 SIGNAL MATING
 SEQUENCE

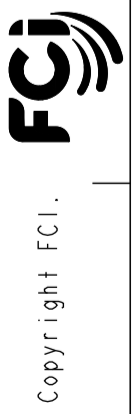


VIEW G-G

| | | | | | | | | |
|--|----------------|---------------------|--------------------------|------------------------|-----------|----------------|-------|----------|
| dr | Not Found DuWa | 2010/04/28 | projection | MM | size | A2 | scale | 3:1 |
| eng | De-Ming Lu | 2014/12/28 | | | ecn no | ELX-DG-19849-1 | | |
| chr | - | - | | | rel level | Released | | |
| appr | Pei-Ming Zheng | 2014/12/29 | product family | HCI | cat. no. | - | | |
| | | title | R/A HDR ASSY 7DC+24S+4DC | | dwg no | 10082722 | | rev |
| www.fci.com | | HCI POWER CONNECTOR | | Product - Customer Drw | | sheet 2 of 5 | | B |



**RECOMMENDED PCB LAYOUT
COMPONENT SIDE
NOTE 6**



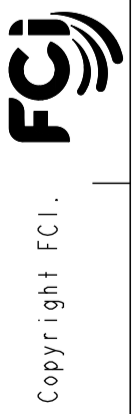
| | | | | | | | | |
|-------------|----------------|--|------------------------|--------------------|--------------|----------------|-----------|----------|
| dr | NotFound DuWa | 2010/04/28 | projection | MM | size | A2 | scale | 4:1 |
| eng | De-Ming Lu | 2014/12/28 | | | ecn no | ELX-DG-19849-1 | rel level | Released |
| chr | - | - | | | | | | |
| appr | Pei-Ming Zheng | 2014/12/29 | product family | - | rel level | - | - | - |
| | | title R/A HDR ASSY 7DC+24S+4DC HCI POWER CONNECTOR | | dwg no 10082722 | rev B | | | |
| www.fci.com | | cat. no. | Product - Customer Drw | | sheet 3 of 5 | | | |

A
B
C
D
E
F

A
B
C
D
E
F

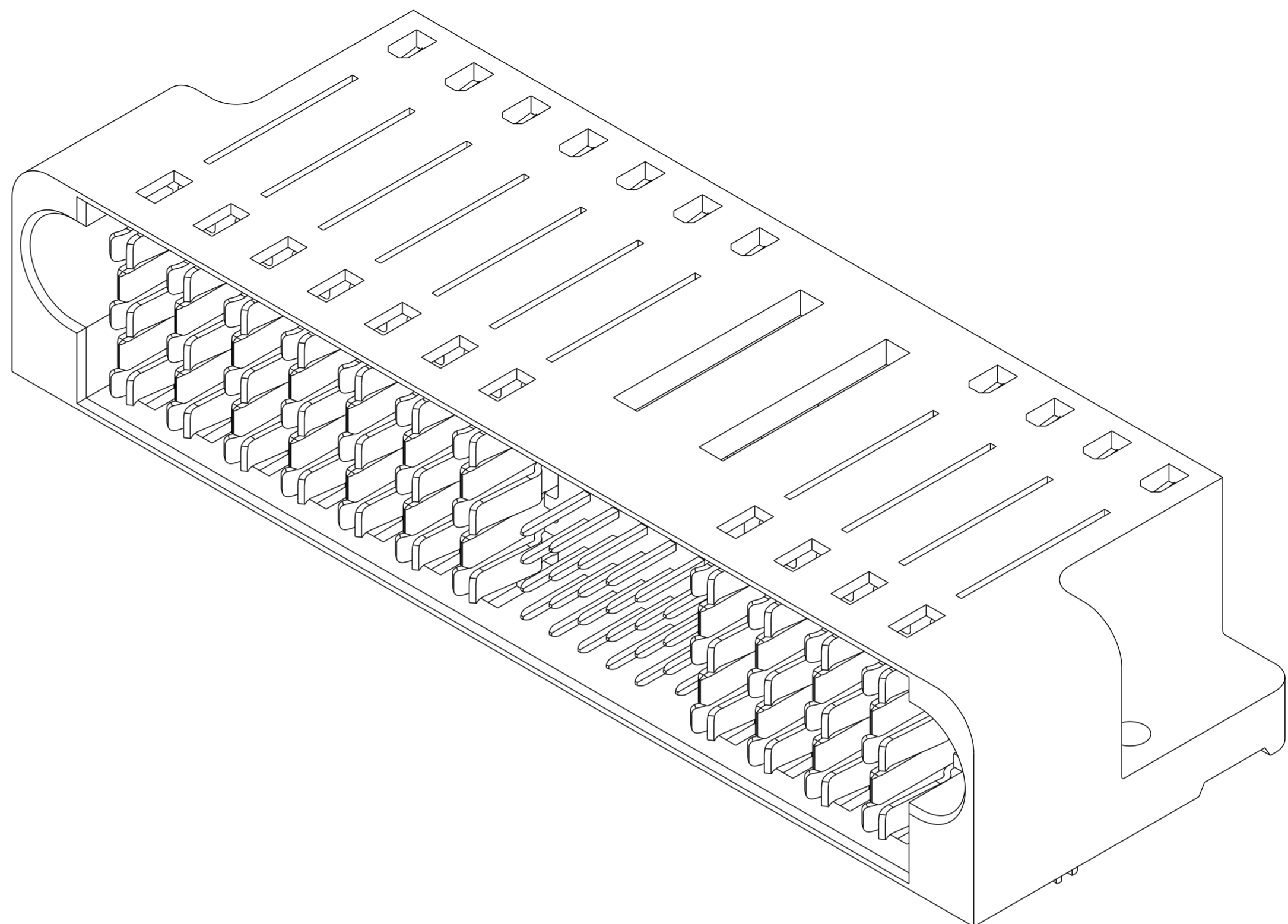
| TOP LAYER DESCRIPTION | TABLE 1 (HCI POWER) PLATED THROUGH-HOLE REQUIREMENTS | | | | | | | |
|-----------------------|---|------------------|--------------------|------------------|--------------------|---------------|------------------|------------------------|
| | DRILLED HOLE DIAMETER | COPPER THICKNESS | TIN-LEAD THICKNESS | NICKEL THICKNESS | GOLD THICKNESS | TIN THICKNESS | SILVER THICKNESS | FINISHED HOLE DIAMETER |
| TIN-LEAD | 0.81-0.86 (0.85 DRILL) | 0.025 - 0.050 | 0.005 - 0.015 | -- | -- | -- | -- | 0.65 - 0.80 |
| IMMERSION TIN | 0.81-0.86 (0.85 DRILL) | 0.025 - 0.050 | -- | -- | -- | 0.9 - 1.5um | -- | 0.70 - 0.80 |
| IMMERSION SILVER | 0.81-0.86 (0.85 DRILL) | 0.025 - 0.050 | -- | -- | -- | -- | 0.15 - 0.65um | 0.70 - 0.80 |
| COPPER (SEE NOTE 9) | 0.81-0.86 (0.85 DRILL) | 0.025 - 0.050 | -- | -- | -- | -- | -- | 0.70 - 0.80 |
| GOLD | 0.81-0.86 (0.85 DRILL) | 0.025 - 0.050 | -- | 0.003 - 0.007 | FLASH UP TO 0.0002 | -- | -- | 0.69 - 0.80 |

| TOP LAYER DESCRIPTION | TABLE 2 (HPC SIGNALS) PLATED THROUGH-HOLE REQUIREMENTS | | | | | | | |
|-----------------------|---|------------------|--------------------|------------------|----------------|---------------|------------------|--|
| | DRILLED HOLE DIAMETER | COPPER THICKNESS | TIN-LEAD THICKNESS | NICKEL THICKNESS | GOLD THICKNESS | TIN THICKNESS | SILVER THICKNESS | FINISHED HOLE DIAMETER |
| TIN-LEAD | 1.125-1.175 ($\varnothing .0453 \pm .0010$) | 0.025-0.050 | 0.005-0.015 | -- | -- | -- | -- | 0.94 - 1.10 ($\varnothing .040 \pm .003$) |
| IMMERSION TIN | | | -- | -- | -- | -- | -- | |
| IMMERSION SILVER | | | -- | -- | -- | -- | -- | |
| COPPER (SEE NOTE 9) | | | -- | -- | -- | -- | -- | |
| GOLD | | | -- | -- | -- | -- | -- | |



| | | | | | | | | |
|------|----------------|--|----------------|--------------------|-----------|----------------|--|-----|
| dr | NotFound DuWa | 2010/04/28 | projection | MM | size | A2 | scale | 4:1 |
| eng | De-Ming Lu | 2014/12/28 | | | ecn no | ELX-DG-19849-1 | | |
| chr | - | - | | | rel level | Released | | |
| appr | Pei-Ming Zheng | 2014/12/29 | product family | - | cat. no. | - | | |
| | | title R/A HDR ASSY 7DC+24S+4DC HCI POWER CONNECTOR | | dwg no 10082722 | rev B | | Product - Customer Drw sheet 4 of 5 | |

| PART NUMBER | RETENTION CLIPS | #4 SCREW | DIM A (TAIL LENGTH) | TAIL TYPE |
|----------------|-----------------|----------|---------------------|-------------|
| 10082722-001LF | NO | YES | 3.43 | SOLDER TAIL |
| 10082722-002LF | NO | YES | 4.70 | SOLDER TAIL |
| 10082722-003LF | YES | NO | 3.43 | SOLDER TAIL |
| 10082722-004LF | YES | NO | 4.70 | SOLDER TAIL |



NOTES:

1. CONNECTOR MATERIALS:
HOUSING: HIGH TEMPERATURE THERMOPLASTIC, BLACK
UL 94V-0 COMPLIANT
CONTACTS: HIGH PERFORMANCE COPPER ALLOY
2. CONTACT FINISH (ref GS-12-380 SECTION 5.2)
3. PRODUCT SPECIFICATION: GS-12-380.
4. APPLICATION SPECIFICATION: GS-20-070.
5. PRODUCT MARKING (PRODUCT NUMBER & DATE CODE) ON HOUSING IN AREA SHOWN.
6. MINIMUM NOMINAL PCB THICKNESS: 1.6mm
7. PACKAGING MEETS FCI SPECIFICATION GS-14-1073.
8. HOUSING COMPONENT WILL WITHSTAND EXPOSURE TO 260°C PEAK TEMPERATURE FOR 60 SECONDS IN A CONVECTION, INFRA-RED, OR VAPOR PHASE REFLOW OVEN.
9. COPPER PLATING THICKNESS IN CENTER OF VIA-HOLE CAN BE NO MORE THAN 0.003 LESS THAN OTHER AREAS.
10. ALL HOLE SIZES ARE FINISHED HOLE SIZES.
11. MOUNTING HOLES ARE UNPLATED.

| | | | | | | | | |
|-------------|----------------|--|----------------|------------------------|-----------|----------------|-------|-----|
| dr | NotFound DuWa | 2010/04/28 | projection | MM | size | A2 | scale | 3:1 |
| eng | De-Ming Lu | 2014/12/28 | | | ecn no | ELX-DG-19849-1 | | |
| chr | - | - | | | rel level | Released | | |
| appr | Pei-Ming Zheng | 2014/12/29 | product family | HCI | cat. no. | 10082722 | | |
| | | title R/A HDR ASSY 7DC+24S+4DC HCI POWER CONNECTOR | | dwg no 10082722 | rev B | | | |
| www.fci.com | | - | | Product - Customer Drw | | sheet 5 of 5 | | |