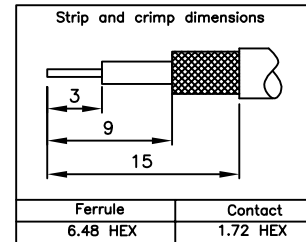
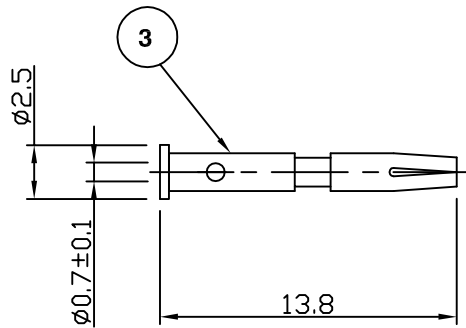
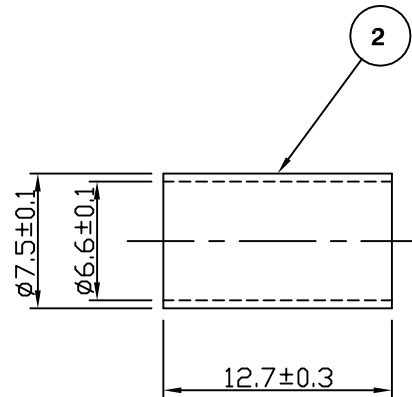
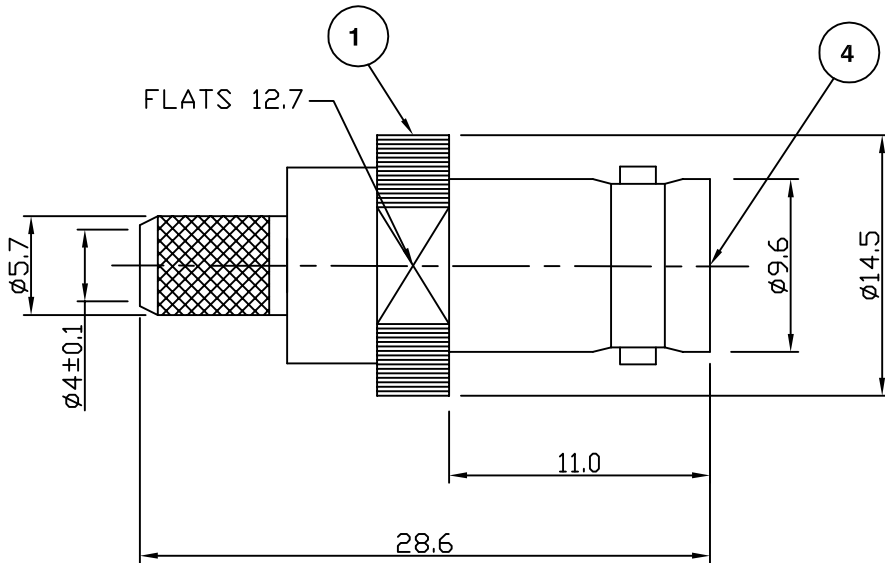


RoHS COMPLIANT



**Electrical Characteristics**

Nominal Impedance:	75 ohms
Frequency Range:	DC to 4 GHz
VSWR:	1.3:1 maximum
Insertion Loss:	0.2 dB at 3 GHz
Operating Voltage (rms):	500 V maximum at sea level
Dielectric Withstand Voltage (rms):	1500 V maximum at sea level
Contact Resistance:	1.5 milliohms maximum
Insulation Resistance:	5000 megohms minimum

**Mechanical Characteristics**

Mating Cycles:	500 cycles minimum
Interface Dimensions:	Conform to MIL-C-39012

**Environmental Characteristics**

Temperature Range:	-55 °C to +85 °C
--------------------	------------------

PART	DESCRIPTION
1	Body Brass, nickel plated 1.78 μm
2	Ferrule Brass, nickel plated 1.78 μm
3	Contact Brass, gold plated 0.076 μm - 0.127 μm
4	Insulator Teflon, white

DESCRIPTION OF REVISION	APPVD	ISS	DATE
Dimensions Update	JT	5	30 Mar 10
Altered Address	KA	4	14 Aug 07
CAD Issue	SN	3	19 Nov 01
Information added	AT	2	14 Aug 00
First Issue	CBB	1	16 Nov 99

For stripping and assembly instructions see Drawing Number: VAIB3101



Cinch Connectivity Solutions  
7-13 Russel Way,  
Widford Industrial Estate,  
Chelmsford, Essex,  
CM1 3AA, UK.  
Tel: +44 (0) 1245 359515  
Fax: +44 (0) 1245 358938

SCALE: Not To Scale

DIMENSIONS: mm

TOLERANCES:  
± 0.2mm unless  
otherwise stated

DRAWN BY:

S Nash

CHECKED BY:

P Couzens

APPROVED BY:

M Nielsen

DATE:

19 Nov 01

TITLE:

BNC Crimp Jack for RG59

PART NUMBER:

**VB30-2031**

PAGE: 1 of 1