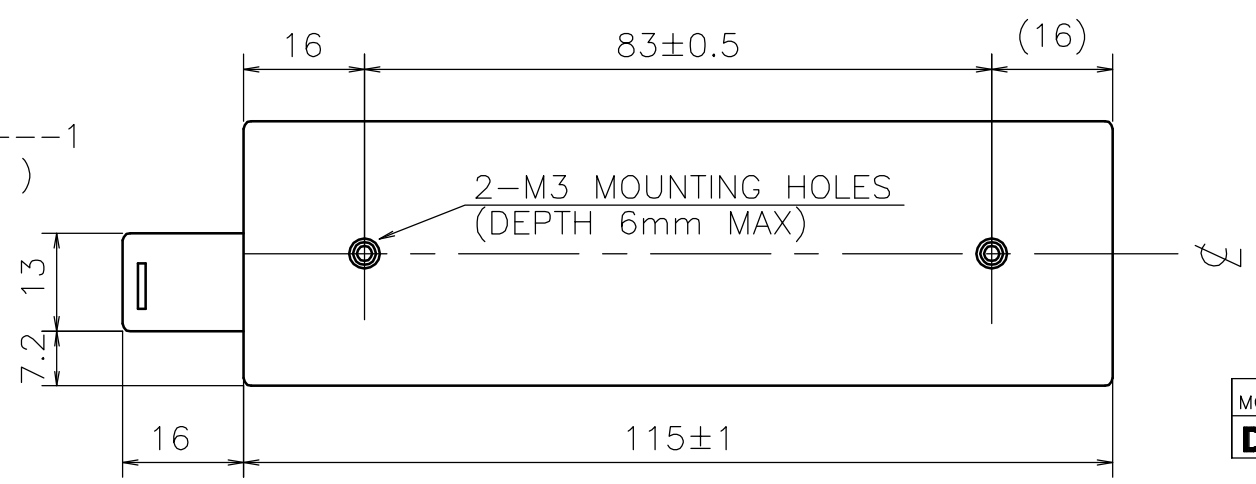


===ACCESSORIES===

- \*COVER FOR BARRIER TERMINAL STRIP --- 1
- \*METAL PIECE FOR SHORTING PURPOSES ACG & FG ---1 (MOUNTED ON TERMINAL STRIP AT TIME OF SHIPMENT. )



(unit : mm)

MODEL	EWS25
<b>DENSEI-LAMBDA</b>	
PA706-02-01L	