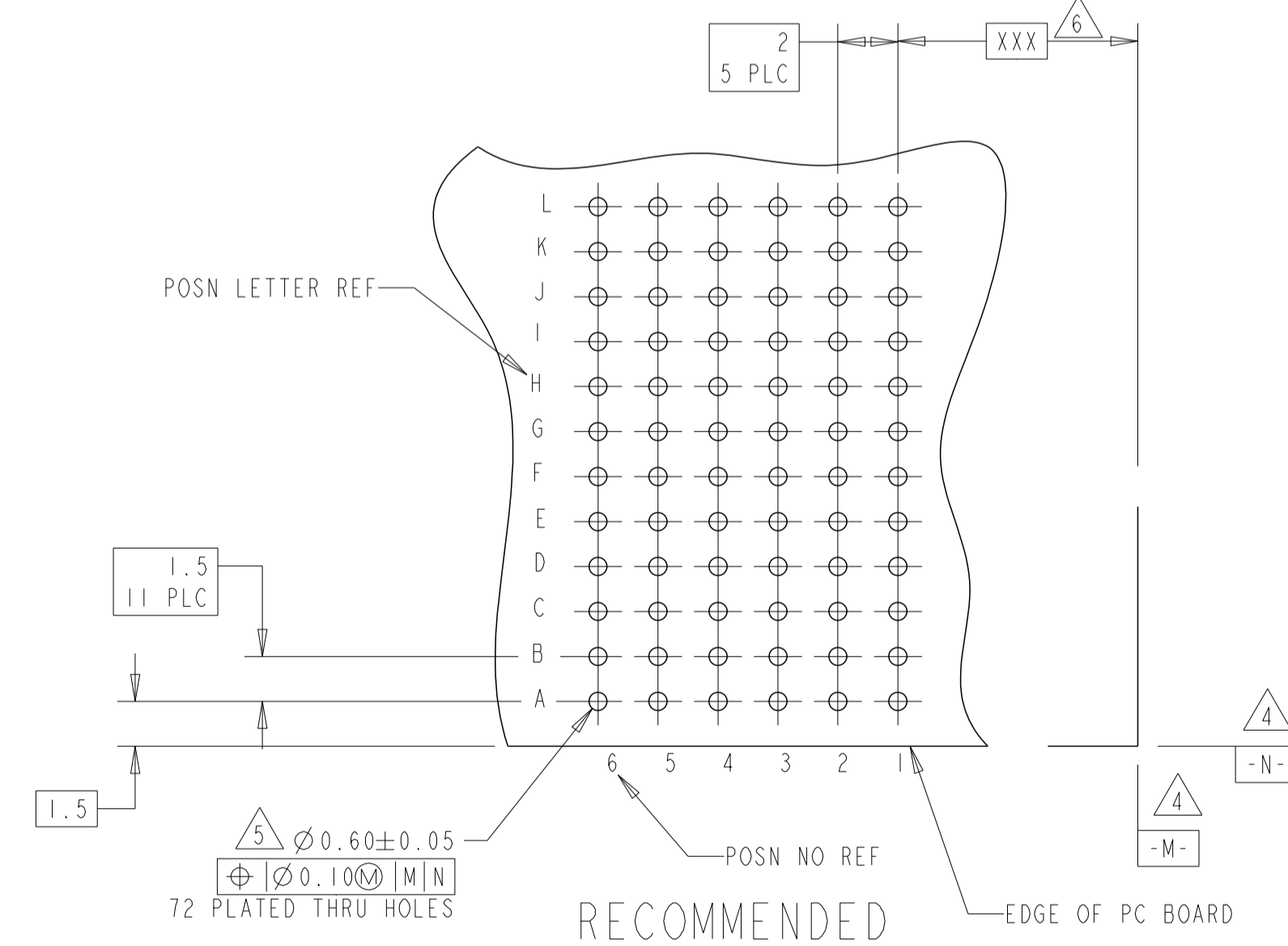
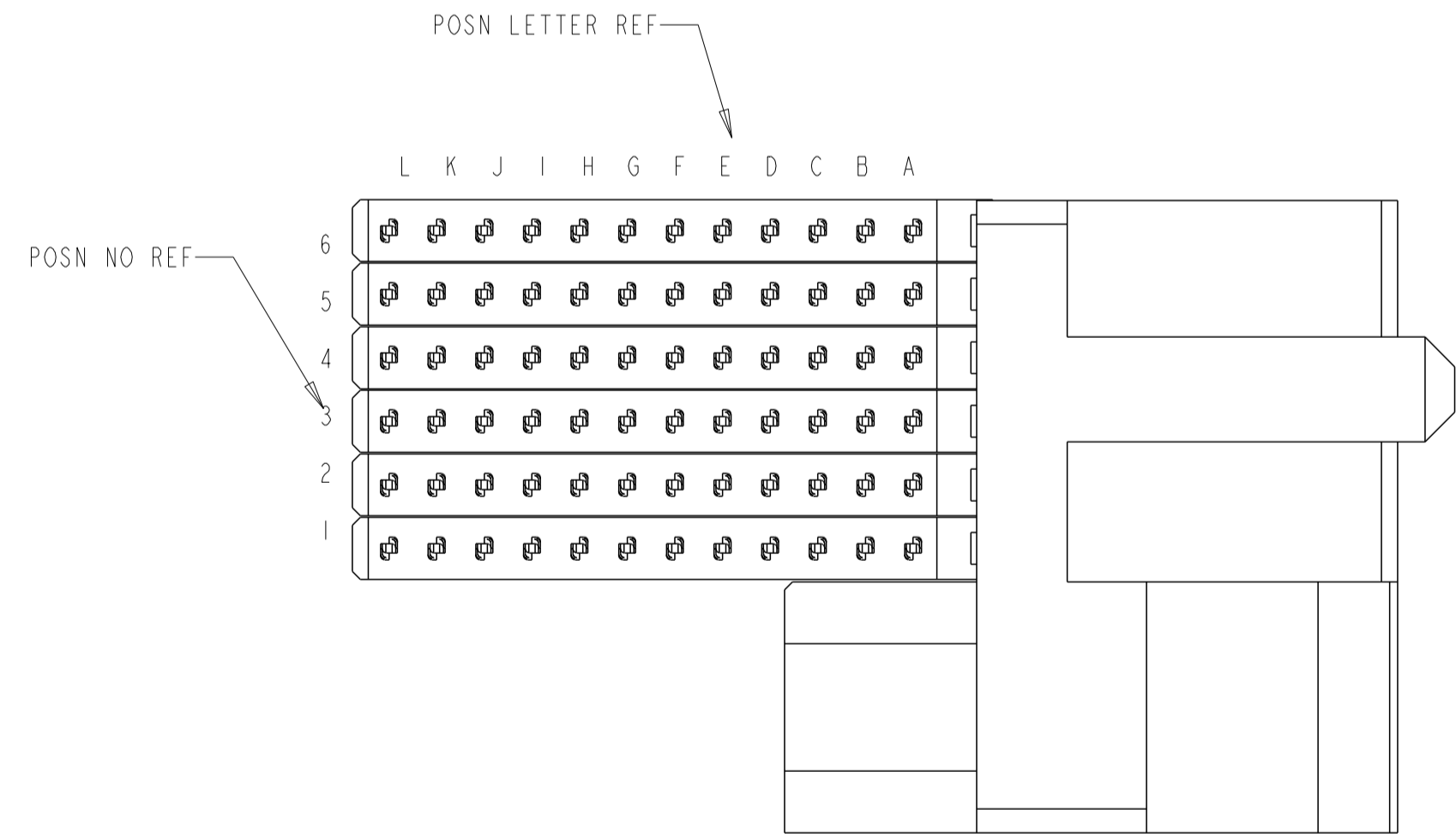
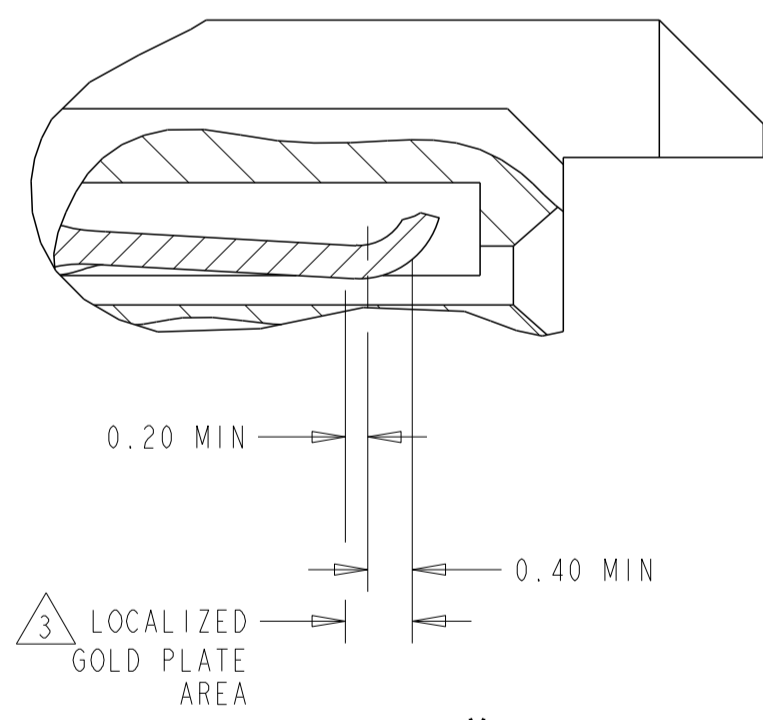
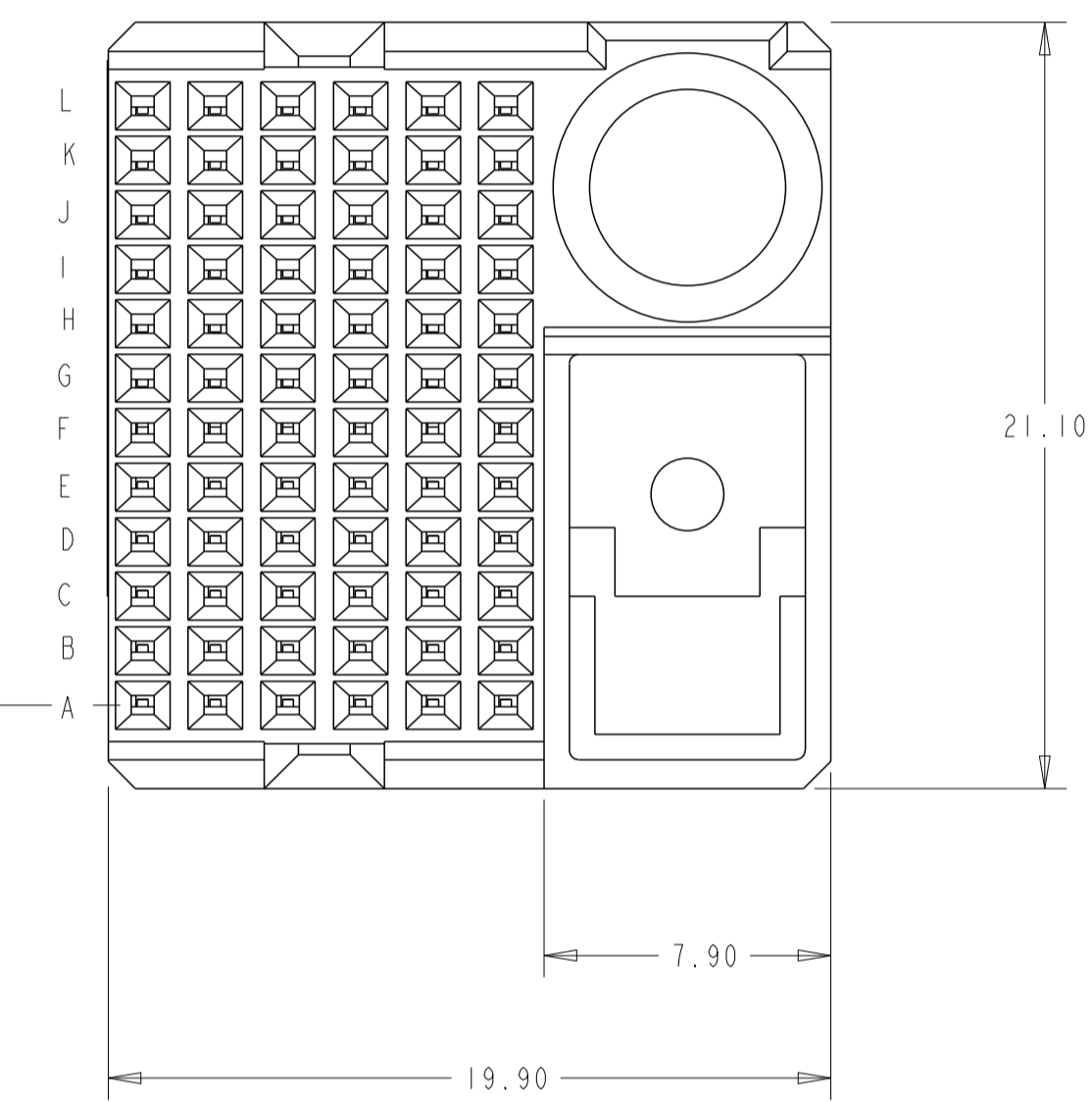
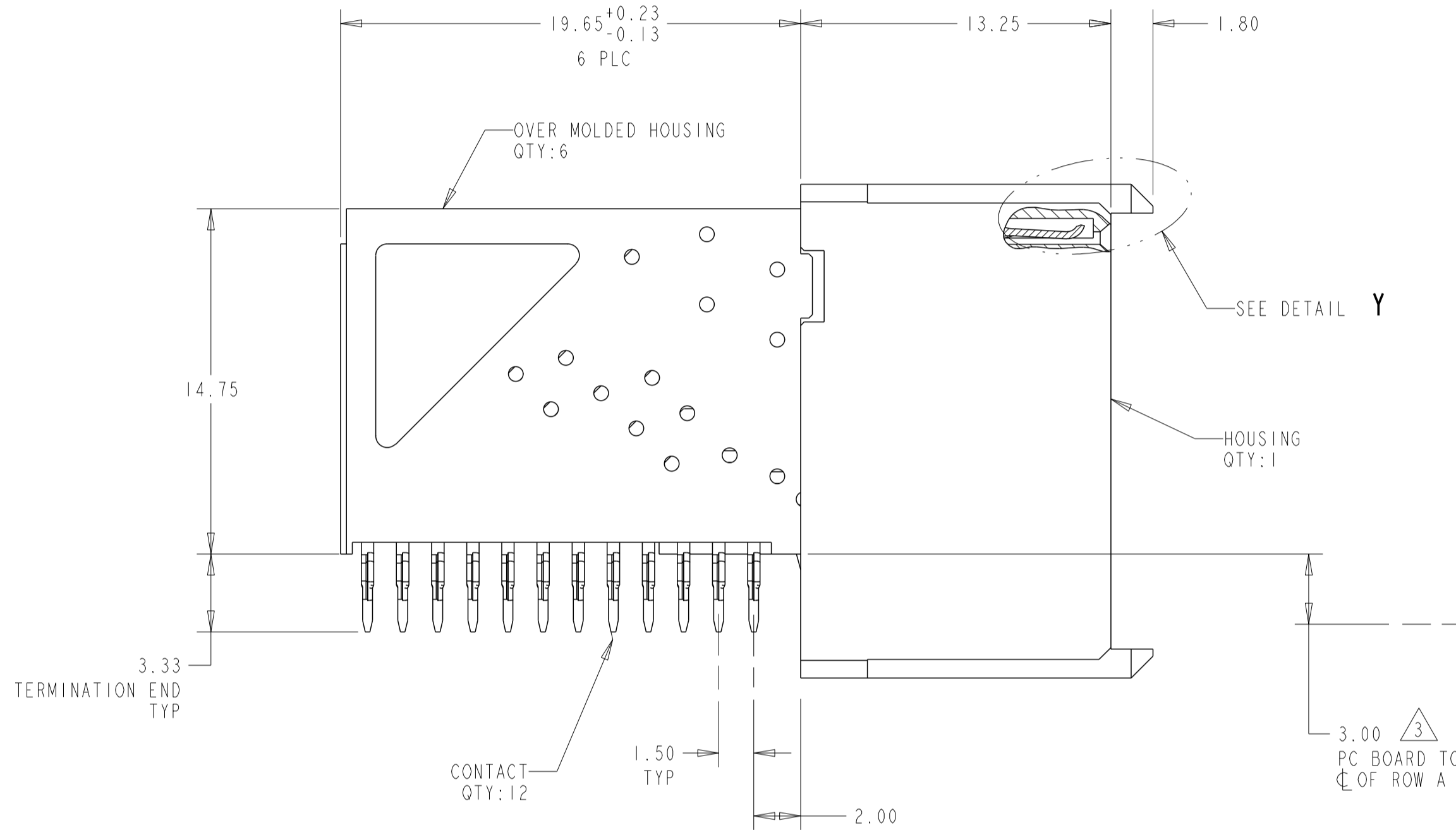
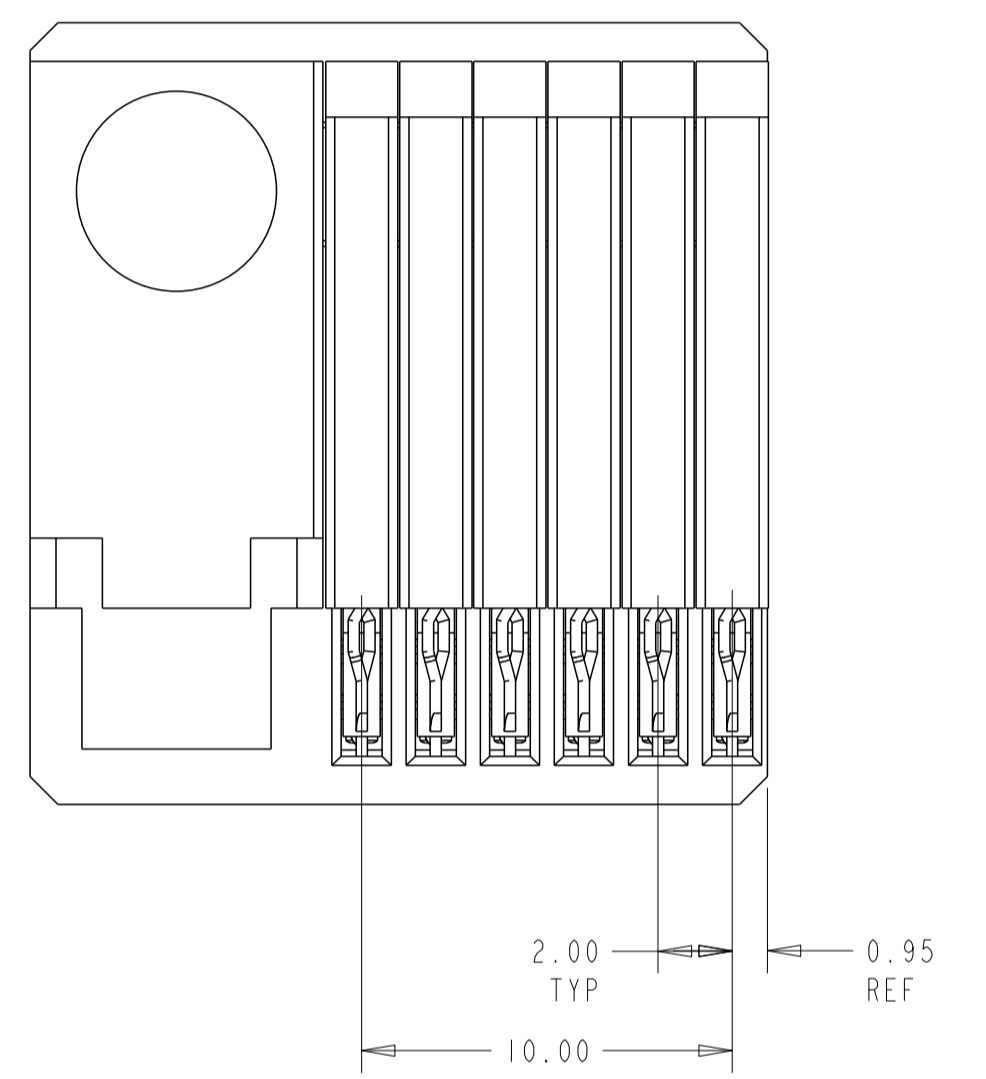
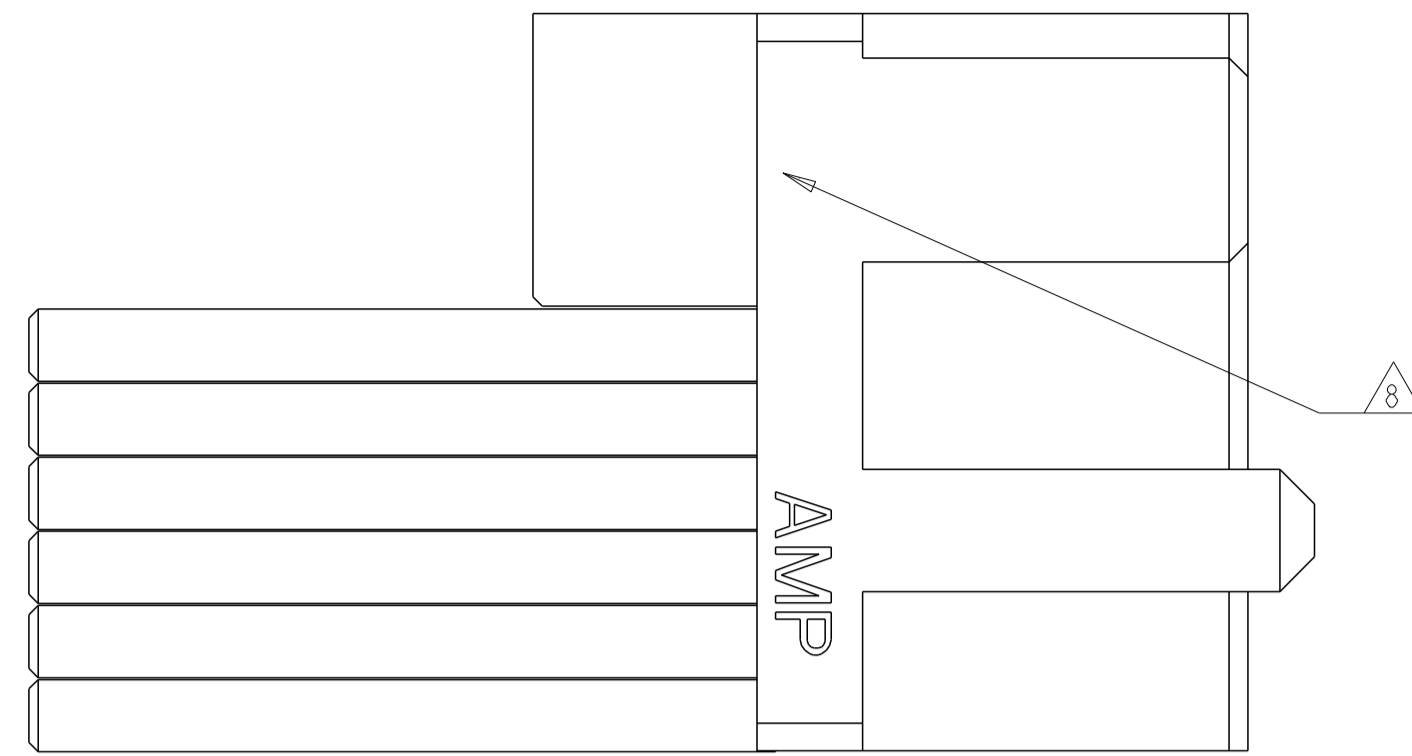


LOC	DIST	REVISIONS			
P	LTR	DESCRIPTION	DATE	DRN	APVD
ES	00	A	INITIAL RELEASE	10MAY11	RC CW



- 1 GLASS FILLED POLYESTER, BLACK
- 2 PHOSPHOR BRONZE
- 3 CONFORMS TO ALL TESTING ACCORDING TO IEC 61076-4-101 PERFORMANCE LEVEL 2.
- 4 DATUMS ESTABLISHED BY CUSTOMER.
- 5 DRILLED HOLE DIAMETER 0.700±0.025  
COPPER THK 0.025-0.05  
TIN THICKNESS 0.004-0.01
- 6 DIMENSION ESTABLISHED BY CUSTOMER.
- 7 GENERAL PLATING SPECIFICATION: UNDERPLATING (ENTIRE CONTACT): 1.27µm MIN NICKEL AND ACTION PIN: 0.5µm MIN TIN. FOR PLATING OF MATING SURFACES SEE APPLICABLE SPECIFICATION REFERENCE FOR EACH DASH NUMBER
- 8 CONNECTOR PRINTED WITH PART NUMBER AND DATE CODE, LOCATED APPROXIMATELY AS SHOWN.

DETAIL Y  
SCALE 15:1  
TYPICAL

RECOMMENDED  
PRINTED CIRCUIT BOARD  
LAYOUT  
RECOMMENDED PRINTED CIRCUIT BOARD  
COMPONENT SIDE OF PRINTED CIRCUIT BOARD

1645570-1  
PART NUMBER

THIS DRAWING IS A CONTROLLED DOCUMENT.		DRN: RAYMOND CAO	TOMAY11	TE Connectivity	
DIMENSIONS: mm		CHK: ALEX SHOAL	TOMAY11	NAME: RECEPTACLE ASSEMBLY, SIGNAL/GROUND COMBINATION, 72 POSITION, RIGHT HAND, Z-PACK 12 HM	
TOLERANCES UNLESS OTHERWISE SPECIFIED:		APVD: MANGHAN WANG	TOMAY11	PRODUCT SPEC	
0 PLC ±0.2		APPLICATION SPEC		SIZE: A1	
1 PLC ±0.2		WEIGHT		CAGE CODE: 00779	
2 PLC ±0.2		RESTRICTED TO		DRAWING NO: 1645570	
3 PLC ±		SCALE: 5:1		SHEET 1 OF 1	
4 PLC ±		CUSTOMER DRAWING		REV A	
ANGLES: ±					
CONTACTS: 2					
CONTACTS: 3					