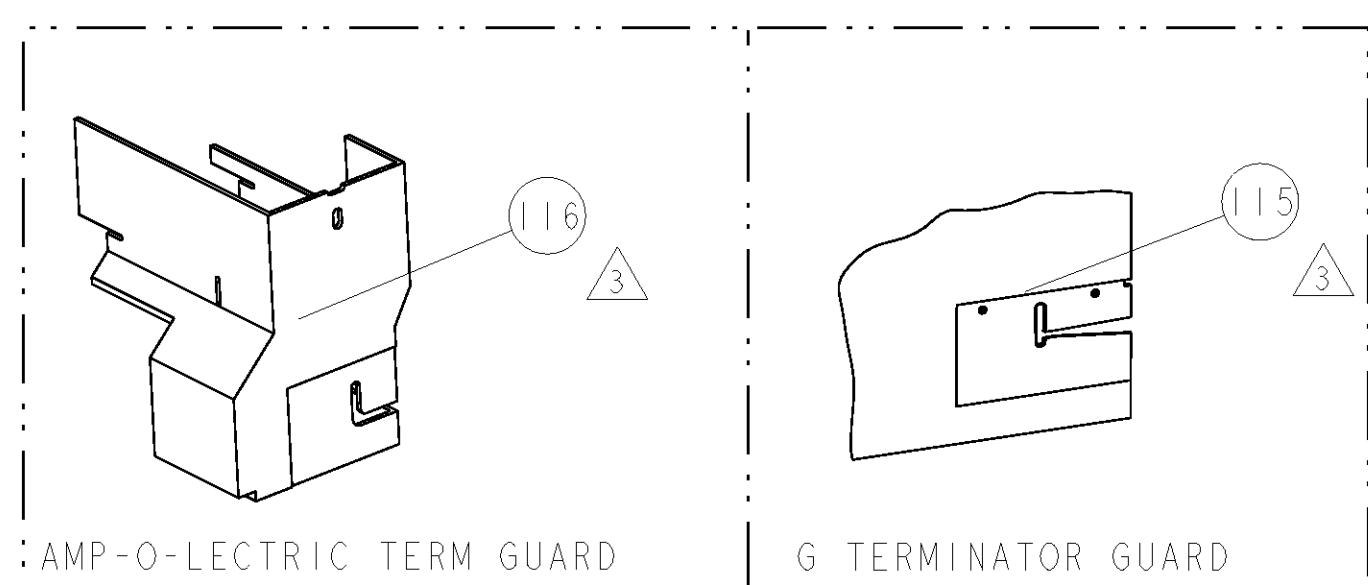
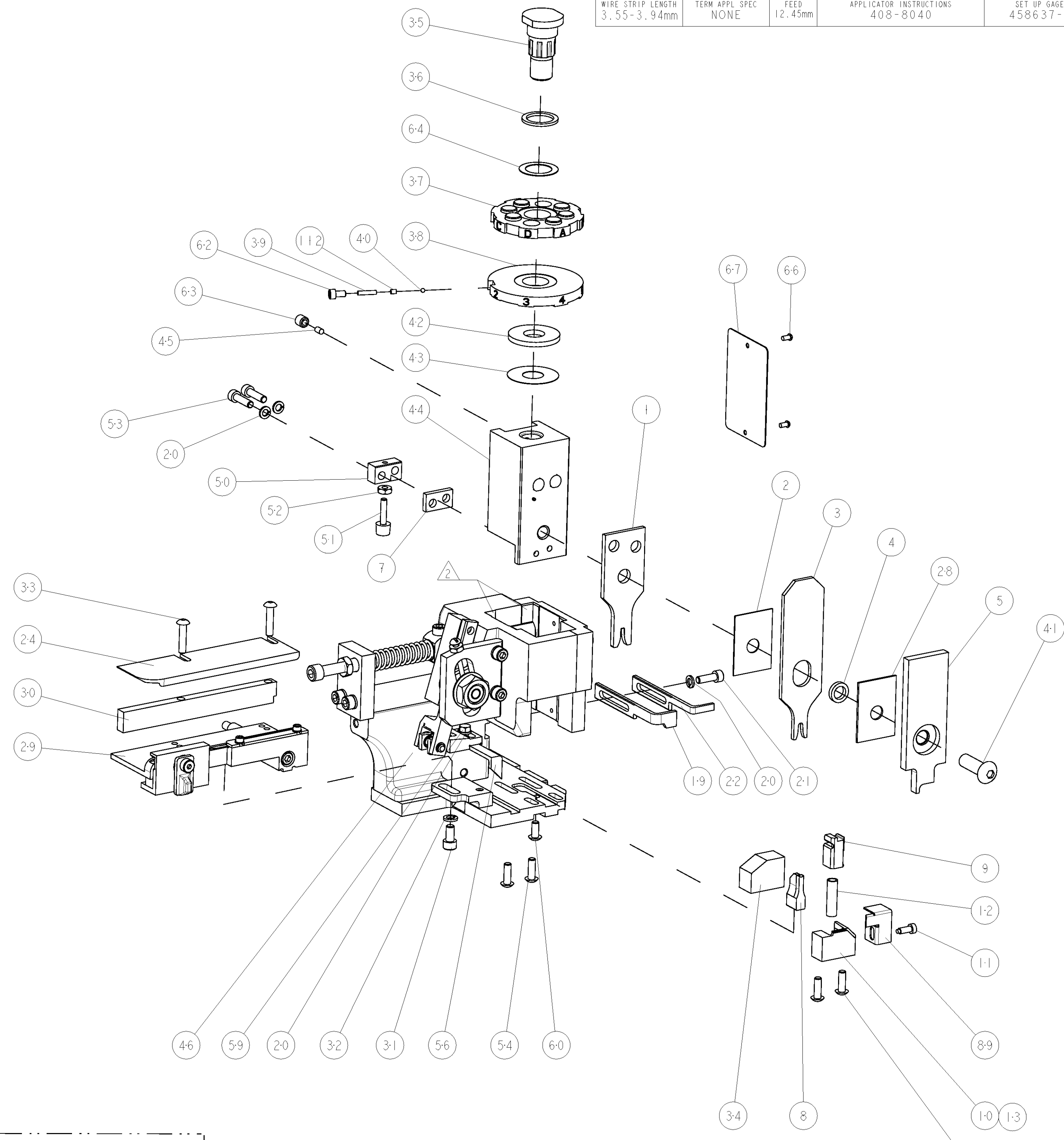
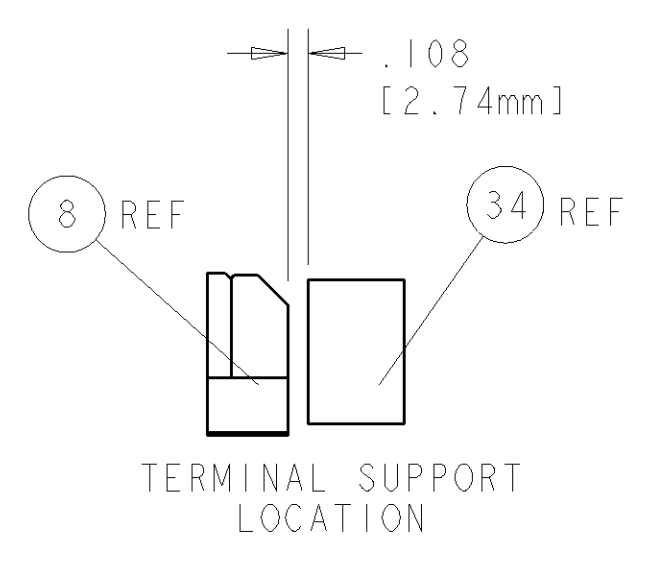
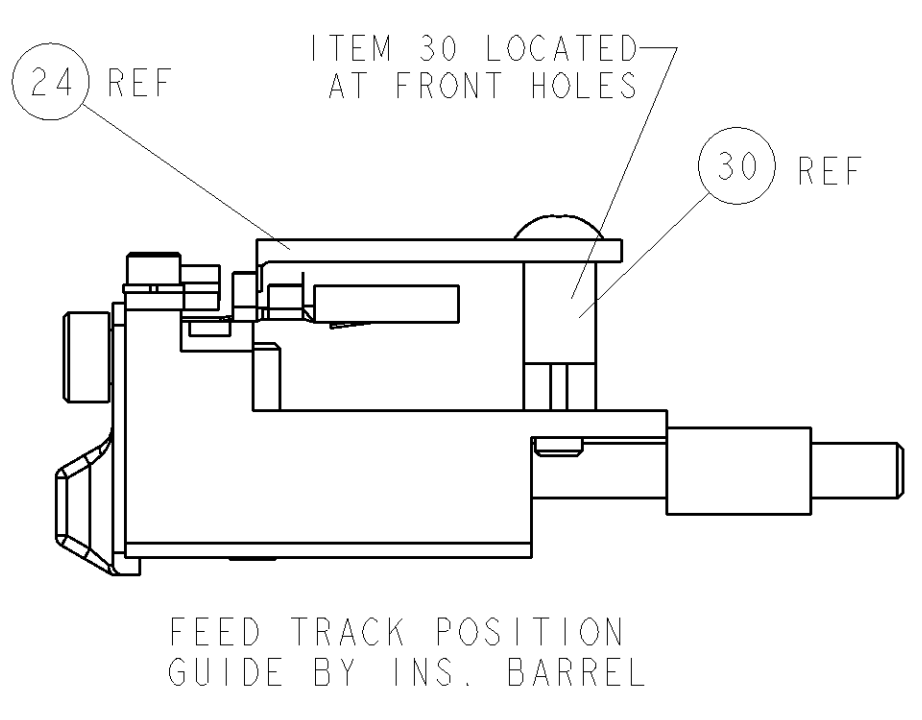
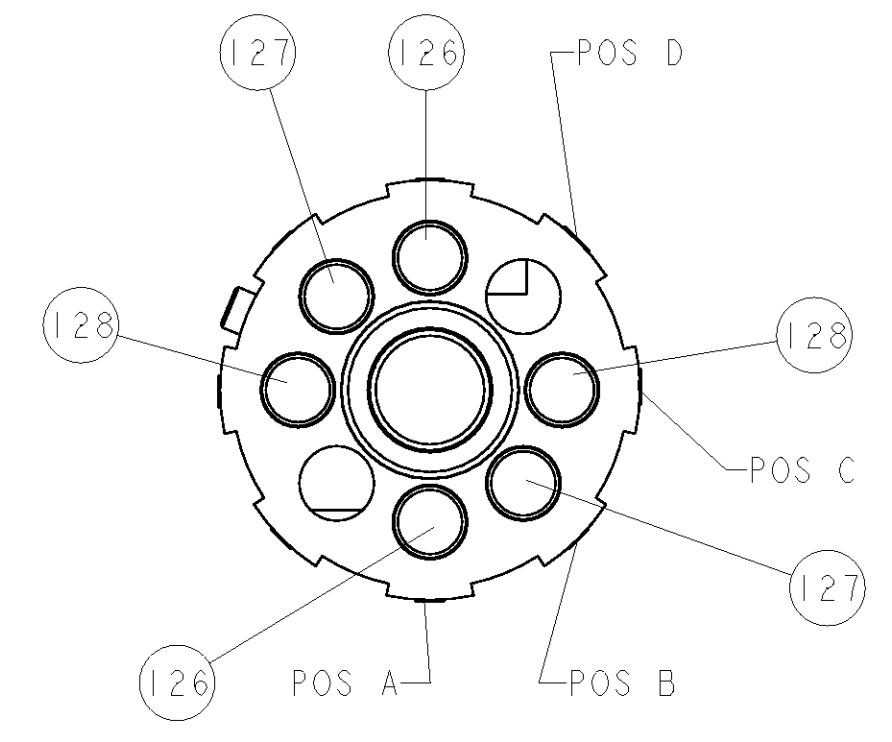


PART NUMBER	REV	FIRST USED	POWER UNIT	FEED TYPE	DESCRIPTION
1852566-1	B	122500-1	LEADMAKER	POST FEED	CUTS CARRIER
1852566-2	B	565435-5	BENCH MODEL K	PRE FEED	CUTS CARRIER
1852566-3	B	354500-1	BENCH MODEL G	PRE FEED	CUTS CARRIER
1852566-6	B	122500-1	LEADMAKER	POST FEED	CONTINUOUS CARRIER
7-1852566-7	A	-	-	-	SPARE PARTS

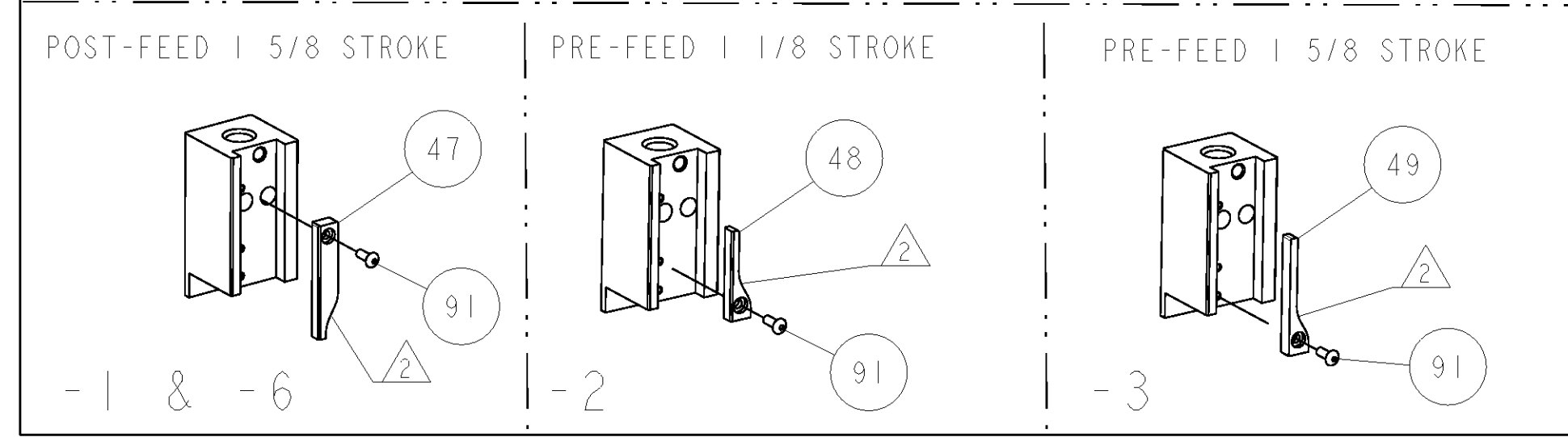


TE PN		MANF PN		HARTING TERMINAL - TE CRIMP SPECS	
1949517	0906000-6422	CRIMP HEIGHT			
1949555	0906000-6472	WIRE SIZE			
-	-	A	1.435±0.065mm (.0565±.002)	16AWG	
-	-	B	1.425±0.075mm (.0561±.003)	18AWG	
-	-	C	1.275±0.075mm (.0502±.003)	20AWG	
-	-	D	-	-	
-		CRIMP	SIZE	TYPE	RANGE
-		WIRE	2.29mm [.090]	F	16-20 AWG
-		INSUL	3.18mm [.125]	O	1.6-2.8mm
WIRE STRIP LENGTH	TERM APPL SPEC	FEED	APPLICATOR INSTRUCTIONS	SET UP GAGE	
3.55-3.94mm	NONE	12.45mm	408-8040	458637-1	

- ▲ RECOMMENDED SPARE PARTS
- ▲ GREASE LIGHTLY
- ▲ GUARD MUST BE IN PLACE WHEN OPERATING APPLICATOR IN A BENCH MACHINE



QTY	REV	DESCRIPTION	DATE	BY	APPV		
2	2	2	2	-	3-354779-0	PIN, WIRE DISC, .3140	128
2	2	2	2	-	1-354779-6	PIN, WIRE DISC, .3070	127
2	2	2	2	-	2-354779-1	PIN, WIRE DISC, .3095	126
-	-	REF	-	..	455749-1	GUARD WINDOW	116
-	-	REF	-	..	679532-1	INSERT, GUARD	115
1	1	1	1	-	690603-1	SPRING ASSIST AMP-O-MATOR APPLICATOR	112
1	1	1	1	-	1-21002-7	SCR, BTN SKT HD CAP 6-32 X .375	91
1	1	1	1	-	318563-1	GUARD, FRONT CHIP	89
1	1	1	1	-	4088040	SF APPL INST 408-8040	72
1	1	1	1	-	217238-1	GENERAL INSTRUCTION PKG	71
1	1	1	1	-	461264-1	PLATE, IDENTIFICATION	67
2	2	2	2	-	21017-2	SCREW, DRIVE	66
1	1	1	1	-	986950-1	WASHER, FLAT PRECISION	64
1	1	1	1	-	21009-2	SCR, SET, SELF LOCKING 1/4-20 X .250	63
1	1	1	1	-	23030-1	SCR, SKT HD CAP 6-32 X .25	62
1	1	1	1	-	22733-8	SCR, BHSC, SELF-LOCKING, 8-32 X .375	60
1	1	1	1	-	2-22603-0	SCR, HEX HD CAP 8-32 X .312	59
1	1	1	1	-	458537-2	PAWL, FEED	56
4	4	4	4	-	2-21002-2	SCR, BTN SKT HD CAP 8-32 X .500	54
2	2	2	2	-	2-21000-8	SCR, SKT HD CAP 8-32 X .625	53
1	1	1	1	-	21018-5	NUT, HEX, REG 6-32	52
1	1	1	1	-	811242-2	BUMPER, HOLD DOWN	51
1	1	1	1	-	690753-1	SPACER, TONKER	50
-	-	-	-	..	690602-6	CAM, PRE FEED, 1 5/8	49
-	-	-	-	..	690602-5	CAM, PRE FEED, 1 1/8	48
1	-	-	-	-	690501-4	CAM, POST-FEED 1 5/8	47
1	1	1	1	-	459456-1	APPL. BASIC SUB ASSY (SIDE WISE MOCA)	46
1	1	1	1	-	690191-1	PLUG, NYLON	45
1	1	1	1	-	455673-1	RAM, SIDE FEED	44
1	1	1	1	-	690125-1	SHIM SUB-ASSY	43
1	1	1	1	-	690124-1	WASHER, RAM (.115)	42
1	1	1	1	-	7-21002-9	SCR, BTN SKT HD CAP 5/16-24 X 1.00	41
1	1	1	1	-	23241-6	BALL, STEEL	40
1	1	1	1	-	690170-1	SPRING, COMPRESSION	39
1	1	1	1	-	690142-1	DISC, INSULATION	38
1	1	1	1	-	354777-1	WIRE DISC, ASSEMBLY	37
1	1	1	1	-	22480-5	SPRING, COMPRESSION	36
1	1	1	1	-	690212-1	POST, RAM	35
1	1	1	1	-	690786-6	TERMINAL SUPPORT	34
2	2	2	2	-	2-21002-4	SCR, BTN SKT HD CAP 8-32 X .750	33
1	1	1	1	-	21024-5	WASHER, SPRG LOCK, REG NO 10	32
1	1	1	1	-	3-21000-4	SCR, SKT HD CAP 10-32 X .375	31
1	1	1	1	-	1320908-8	SPACER, STRIP GUIDE	30
1	1	1	1	-	1633091-1	ASSEMBLY, STRIP GUIDE	29
1	1	1	1	-	1-455888-0	SPACER, CRIMPER	28
1	1	1	1	-	1320928-1	PLATE, STRIP GUIDE	24
1	1	1	1	-	690472-2	STRIPPER	22
1	1	1	1	-	2-21000-7	SCR, SKT HD CAP 8-32 X .500	21
4	4	4	4	-	21024-4	WASHER, SPRG LOCK, REG NO 8	20
-	-	-	-	..	691353-1	STRIPPER	19
1	1	1	1	-	679625-1	SHEAR HOLDER, FRONT (NO CUT)	13
1	1	1	1	-	3-22280-3	SPRING, COMPRESSION	12
1	1	1	1	-	690461-1	STOP, SHEAR	11
-	-	-	-	..	690459-1	SHEAR HOLDER, FRONT	10
1	1	1	1	-	454276-1	FLOATING SHEAR, FRONT	9
1	1	1	1	-	2-1633110-2	ANVIL, COMBINATION .090	8
1	1	1	1	-	240641-5	SPACER	7
-	-	-	-	..	-	-	6
1	1	1	1	-	1-455889-4	DEPRESSOR, SHEAR	5
1	1	1	1	-	238011-4	BLOCK, CRIMPER SPACER	4
1	1	1	1	-	1583690-5	CRIMPER, INSUL O	3
1	1	1	1	-	455888-5	SPACER, CRIMPER	2
1	1	1	1	-	2-456406-3	CRIMPER, WIRE PREMIUM	1



DIMENSIONS:		TOLERANCES UNLESS OTHERWISE SPECIFIED:	
INCHES	9 PLC ±.01	1 PLC ±.01	2 PLC ±.01
	3 PLC ±.001	4 PLC ±.001	ANGLES ±.001
MATERIAL	FINISH	WEIGHT	APPROX
-	-	-	-

DATE	12SEPT2007	BY	T. ELBIN
APPROVED	T. BENCHOFF	NAME	T. BENCHOFF
PRODUCT SPEC	-	APPLICATION SPEC	-
SIZE	A1	CAGE CODE	00779
DRAWING NO	1852566	SCALE	3:5
SHEET	1	OF	1
REV	B	DATE	12SEPT2007