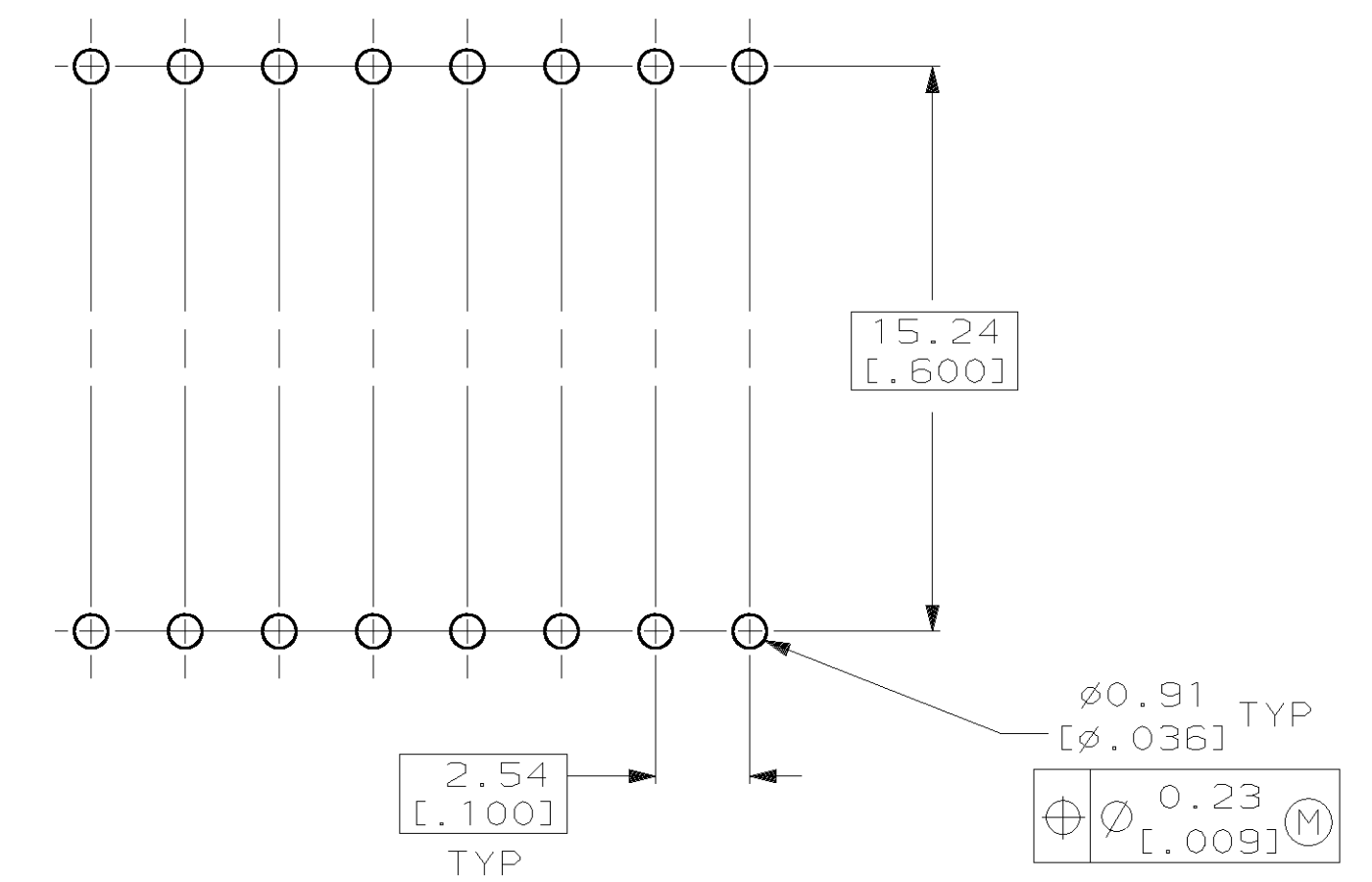
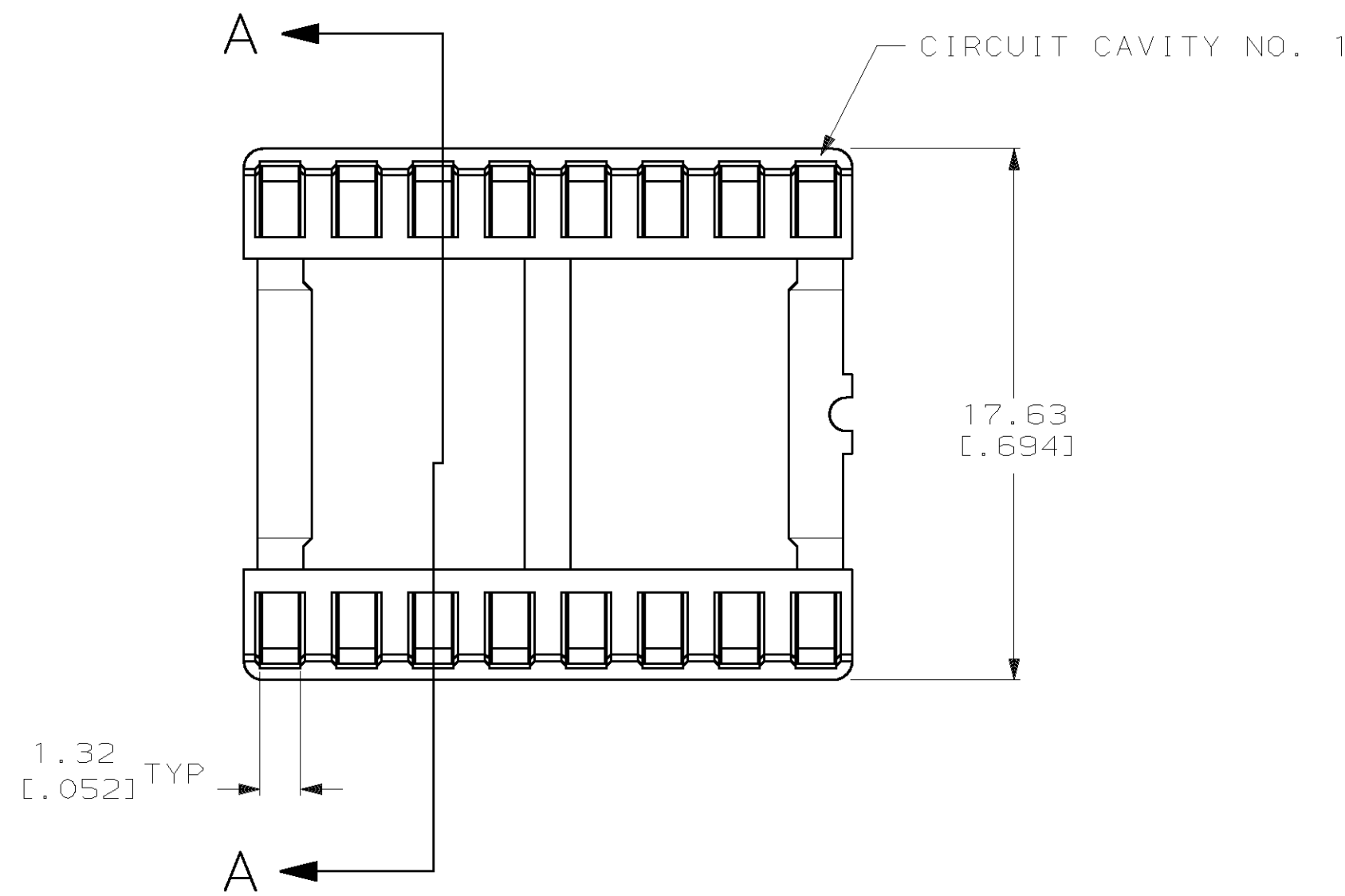
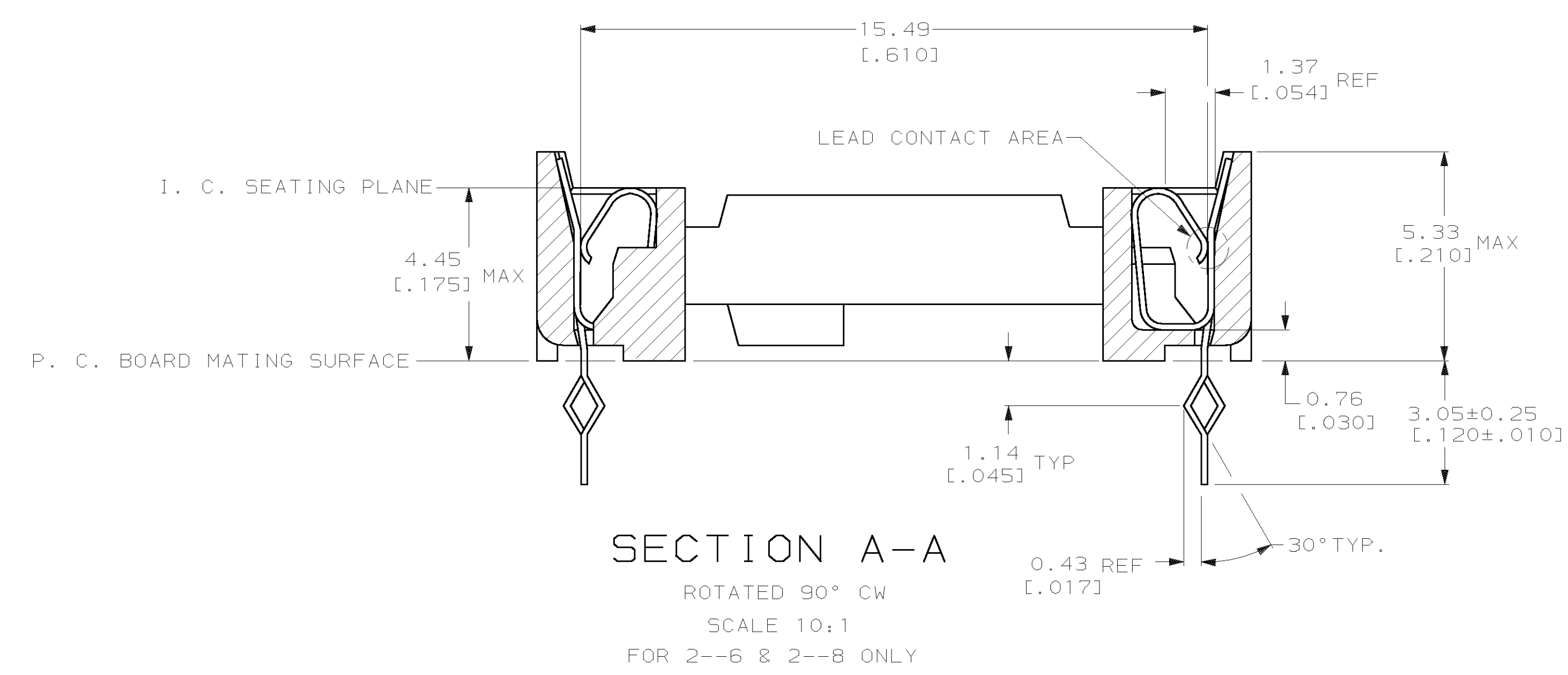
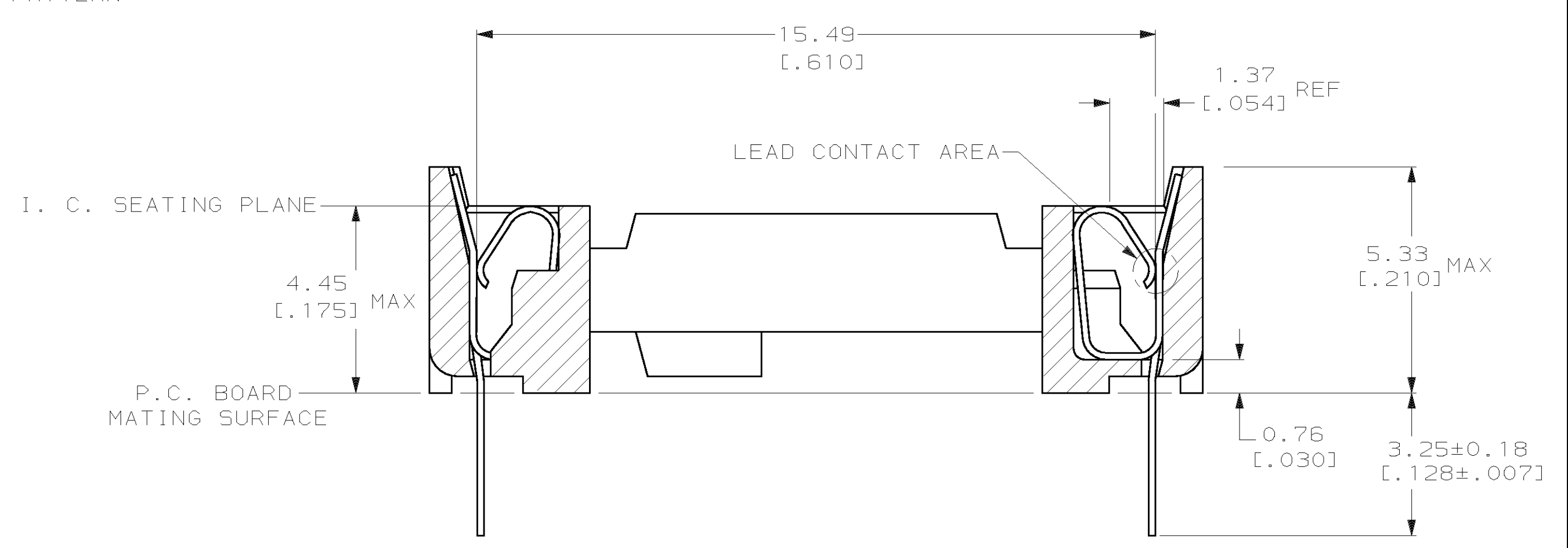
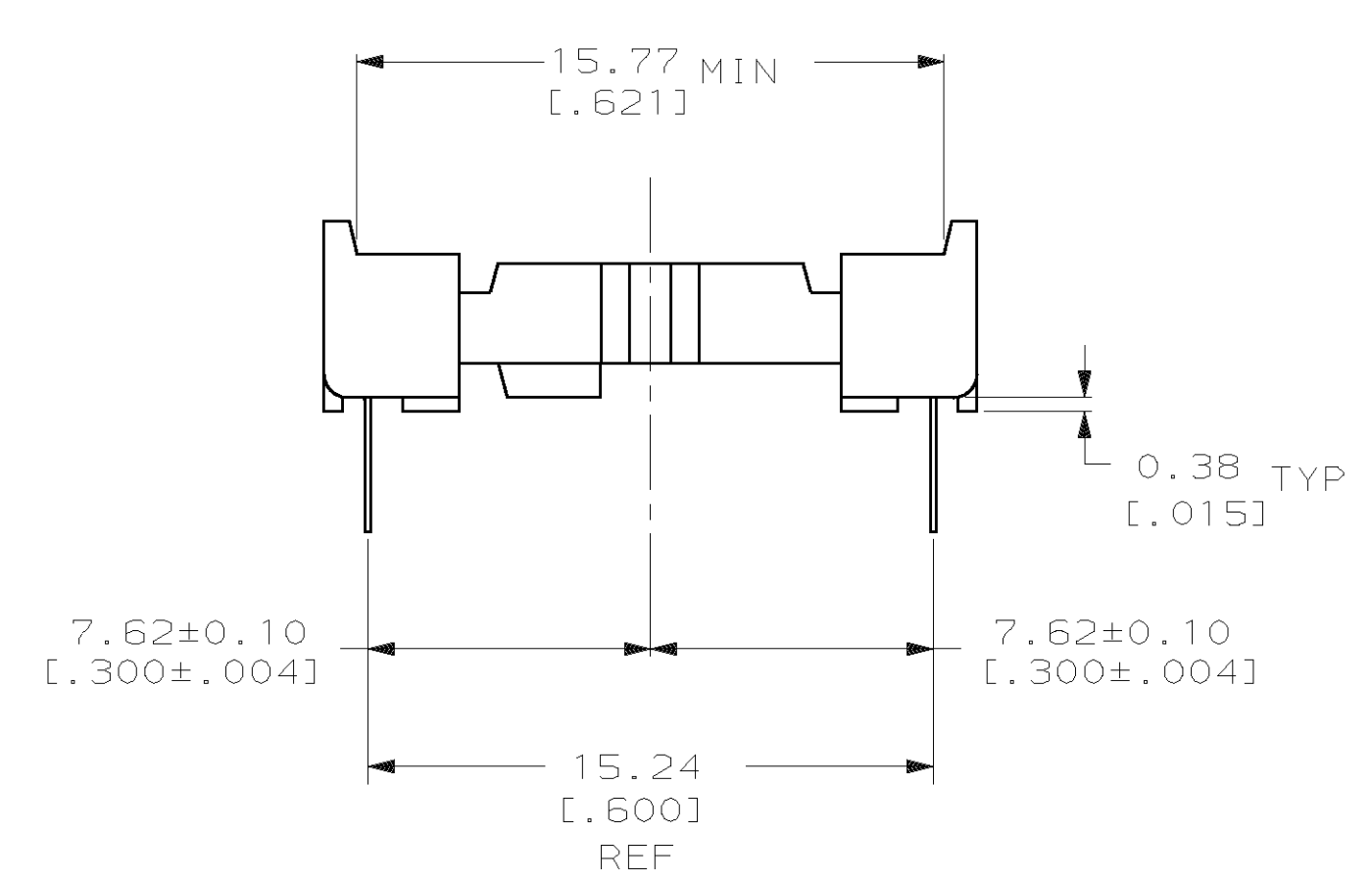
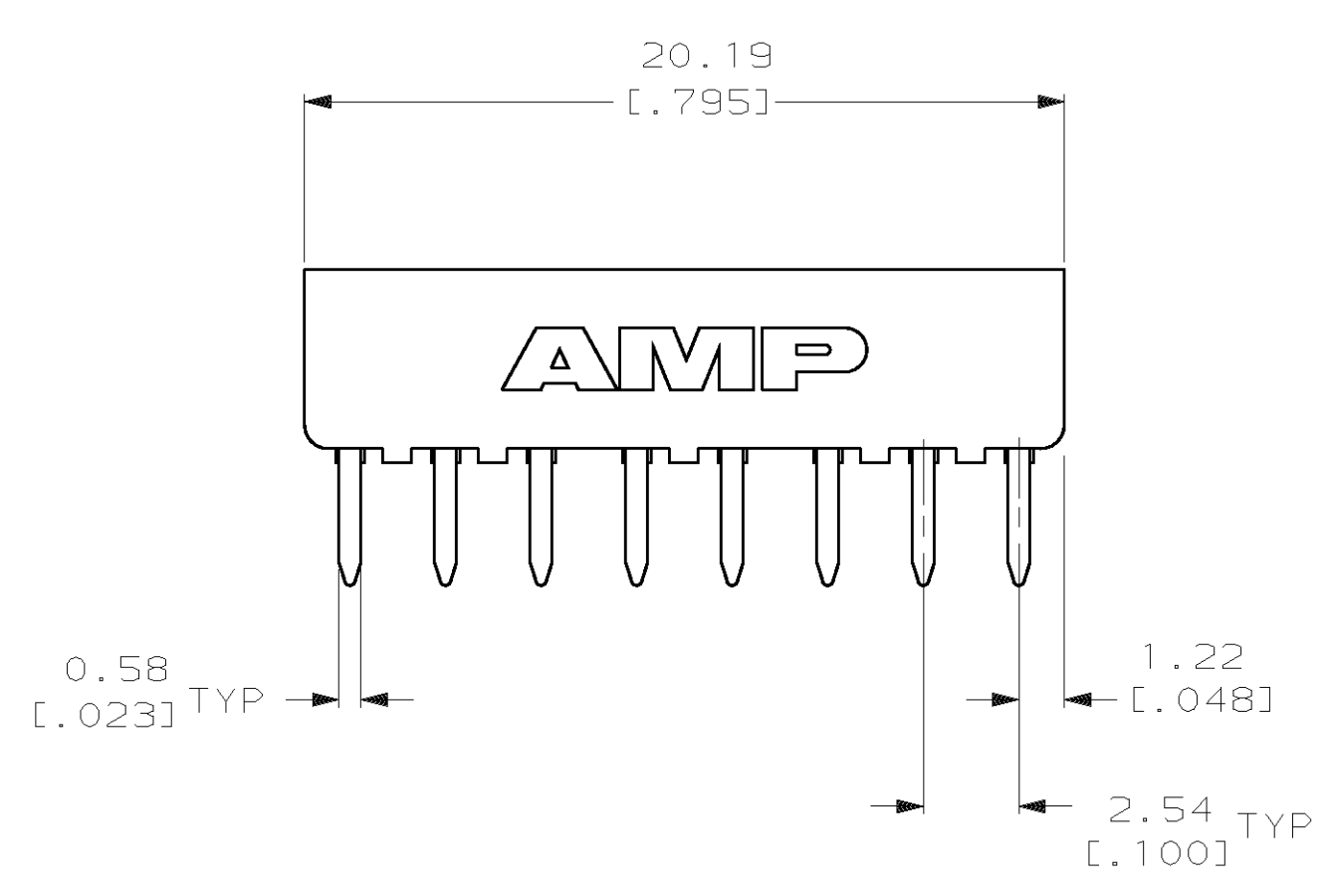


LOC		DIST		REVISIONS			
FT	64	TR	LYR	DESCRIPTION	DATE	DWN	APVD
		D		REV PER 063C-0104-01	25SEP01	RB	JO



1. RECEPTABLE ACCEPTS AN 0.20-0.36 [.008-.014] THK I.C. LEAD.
- 2 MATERIAL: HOUSING-GLASS FILLED THERMOPLASTIC, 94V-0, BLACK
3. TUBE LOADED.
- 4 TWO 0.00076 [.000030] MIN THK GOLD STRIPES IN CONTACT AREA, TIN-LEAD (93-7) ON CONTACT LEGS, BALANCE OF CONTACT NICKEL PLATE.



TINNED	PHOS.BRZ. 0.15 [.006] THK	2	2-382712-8
TINNED	BE.CU. 0.15 [.006] THK	2	2-382712-6
TINNED	PHOS.BRZ. 0.15 [.006] THK	2	2-382712-3
4	BE.CU. 0.15 [.006] THK	2	2-382712-2
TINNED	BE.CU. 0.15 [.006] THK	2	2-382712-1
CONTACT PLATING	CONTACT MATERIAL	HOUSING MATERIAL	PART NUMBER

THIS DRAWING IS A CONTROLLED DOCUMENT.

DWN: C. WHITT 22 OCT 92  
 CHK: R. TALLEY 03 NOV 92  
 APVD: F. ROYD 06 NOV 92

AMP Incorporated  
 Harrisburg, PA 17105-3608

PRODUCT SPEC: 108-1066  
 APPLICATION SPEC: 114-1049

SIZE: A1  
 CAGE CODE: 00779  
 DRAWING NO: C-382712

SCALE: 5:1  
 SHEET: 1 OF 1  
 REV: 0