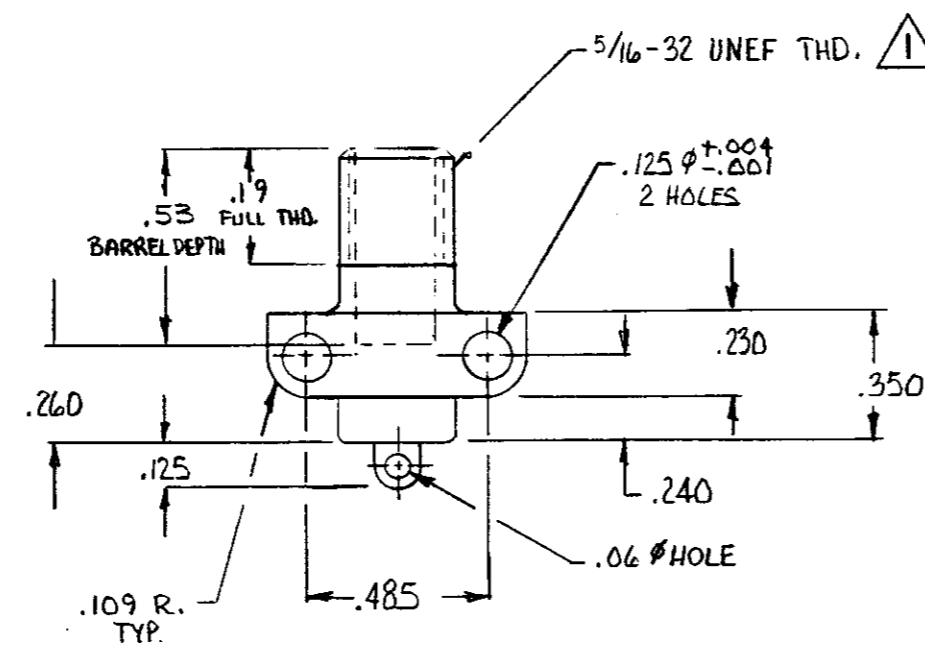
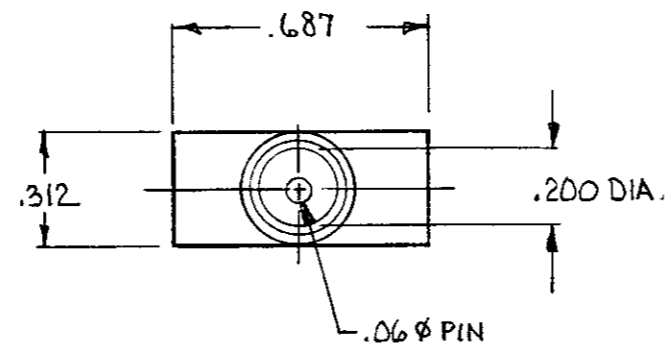


© COPYRIGHT 1980 BY AMP INCORPORATED, HARRISBURG, PA.
 ALL INTERNATIONAL RIGHTS RESERVED. AMP INCORPORATED PRODUCTS
 COVERED BY U. S. AND FOREIGN PATENTS AND/OR PATENTS PENDING.

				LOC	L	DIST	37
REVISIONS							
P	F	ZONE	LTR	DESCRIPTION	DATE	APPROVED	
			0	SK-01481-2			
	✓	A		REV PER ECN S-3960	4/16/87	RB	



⚠ PER FEDERAL STANDARD H-28 3 WIRE METHOD.
 DIMENSION OVER WIRES TO BE: .307-.318

866803-1 AS SHOWN

				UNLESS OTHERWISE SPECIFIED DIMENSIONS ARE IN INCHES. TOLERANCES: .00 ± .03 .000 ± .010 ANGLES ±		CONTRACT NO		PART NO	
				MATERIAL		DR <i>9/3/80</i>		AMP INCORPORATED Elizabethtown, Pa.	
				FINISH		CHK		NAME LGH 1/2 (RECEPTACLE WITH MOUNTING HOLES) LGH	
NEXT ASSY		FINAL ASSY		NEXT ASSY		APPD <i>[Signature]</i>		SIZE B CODE IDENT NO 00779 DRAWING NO 866803	
QTY REQD		APPLICATION				DESIGN APPD		SCALE <i>1X</i> SHEET 1 of 1	
						OTHER APPD			