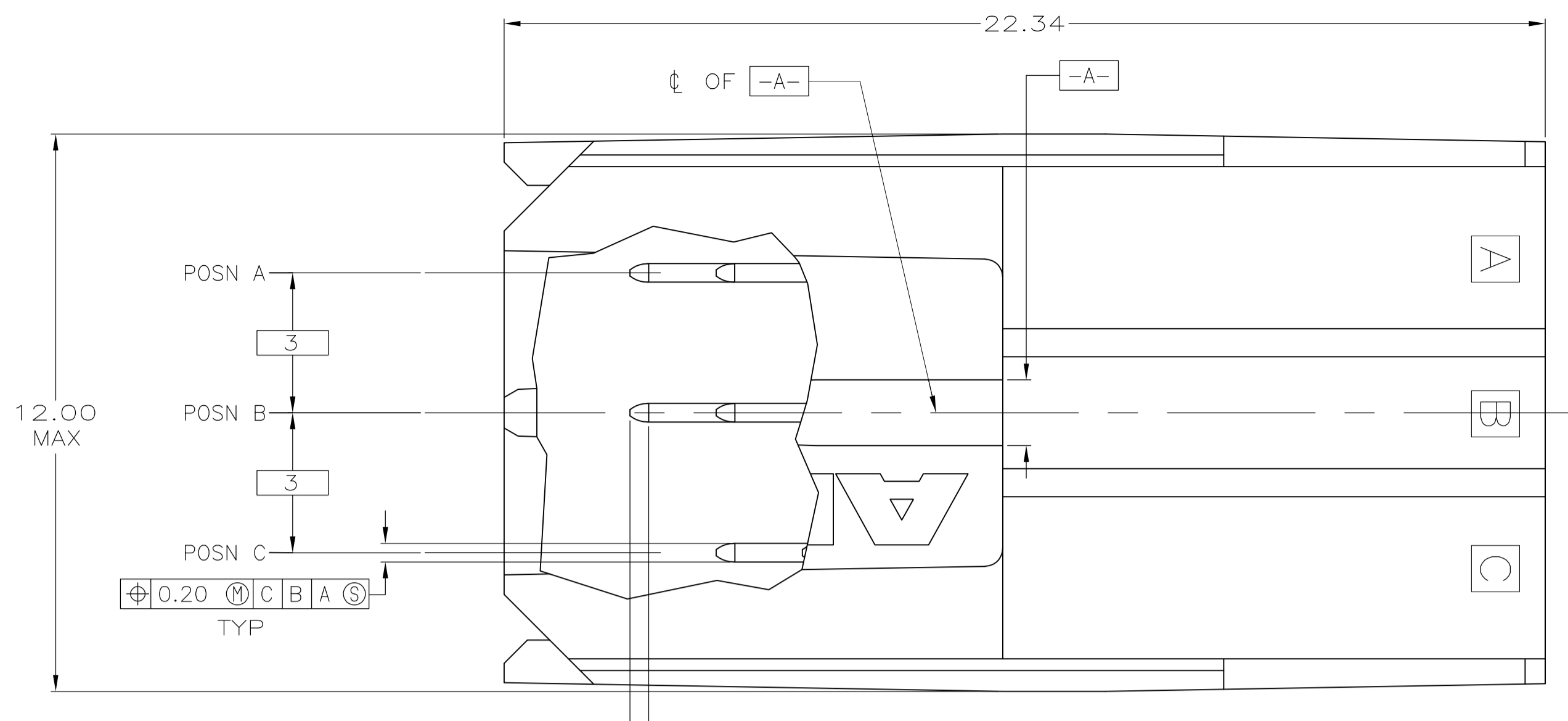
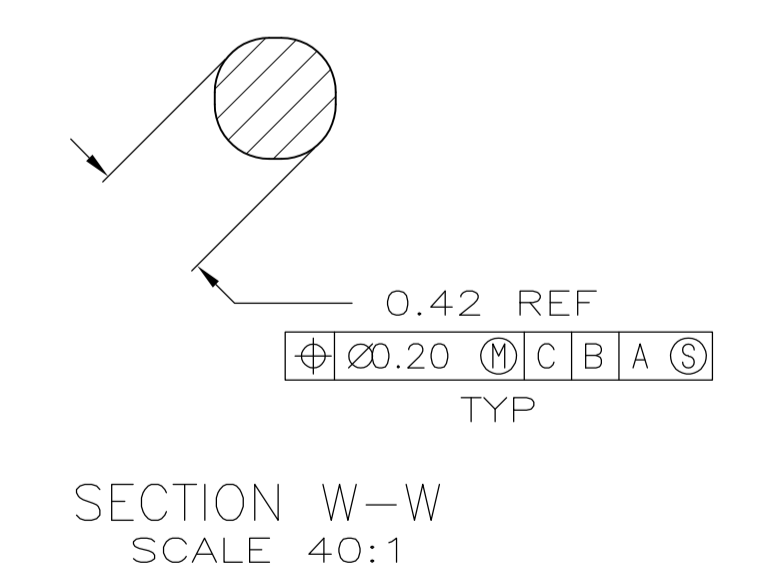
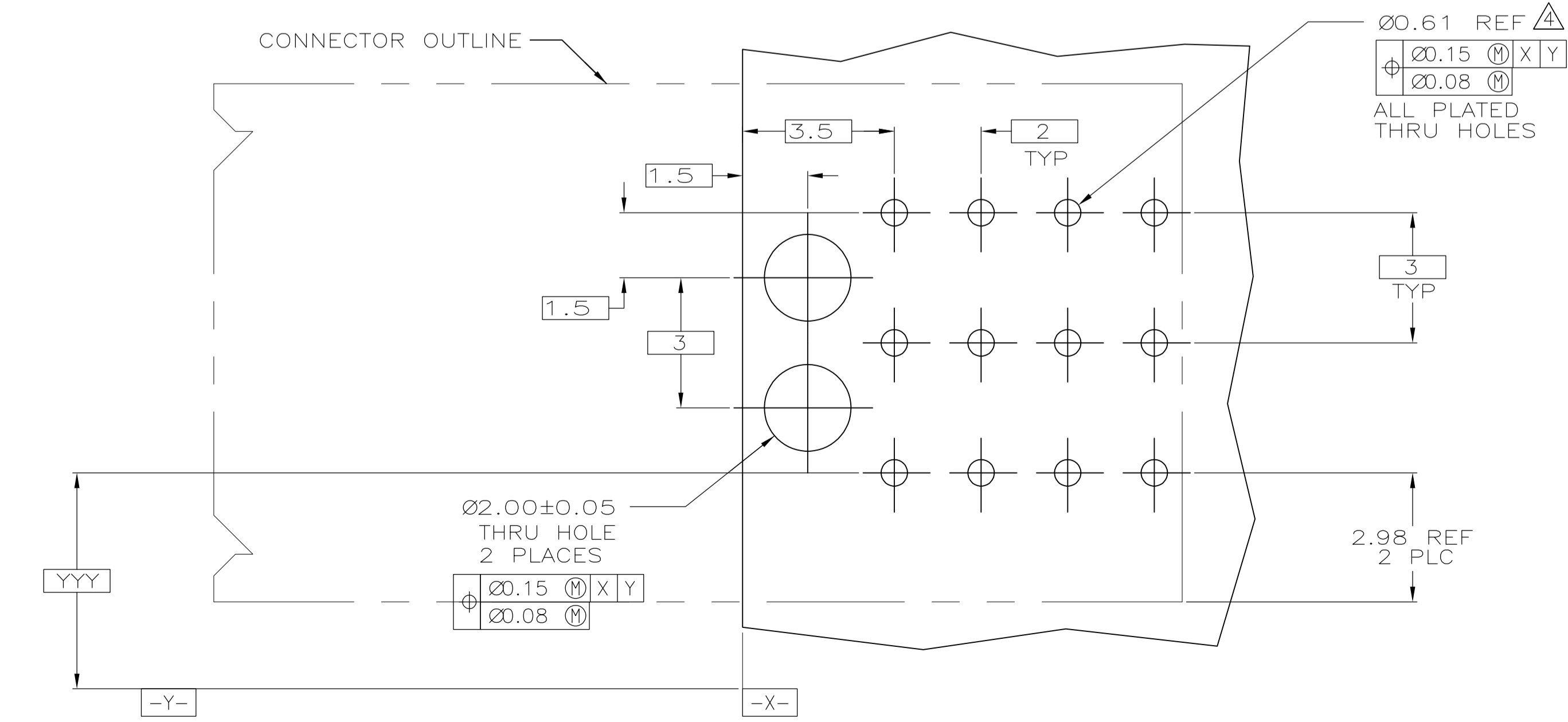
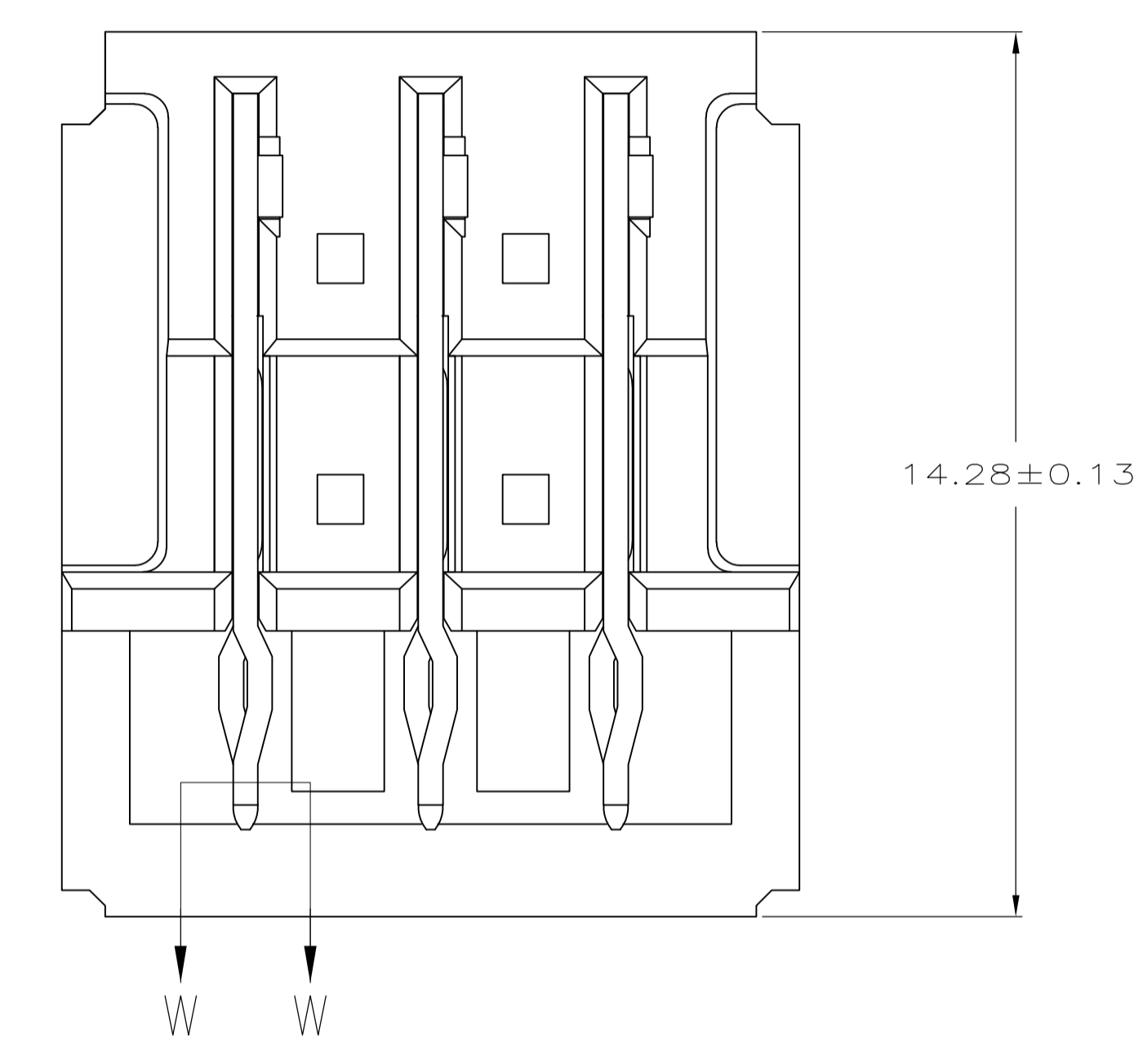
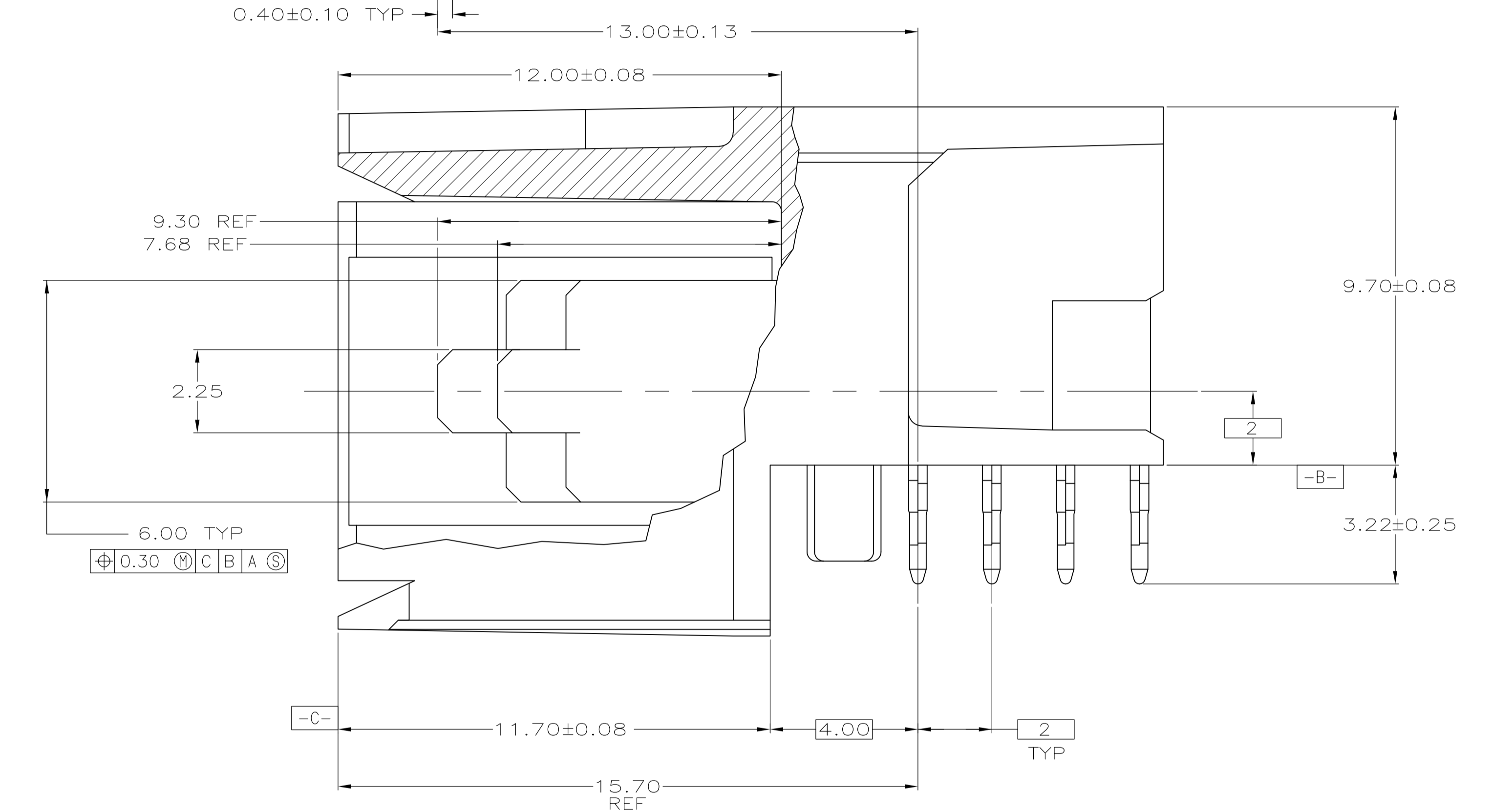
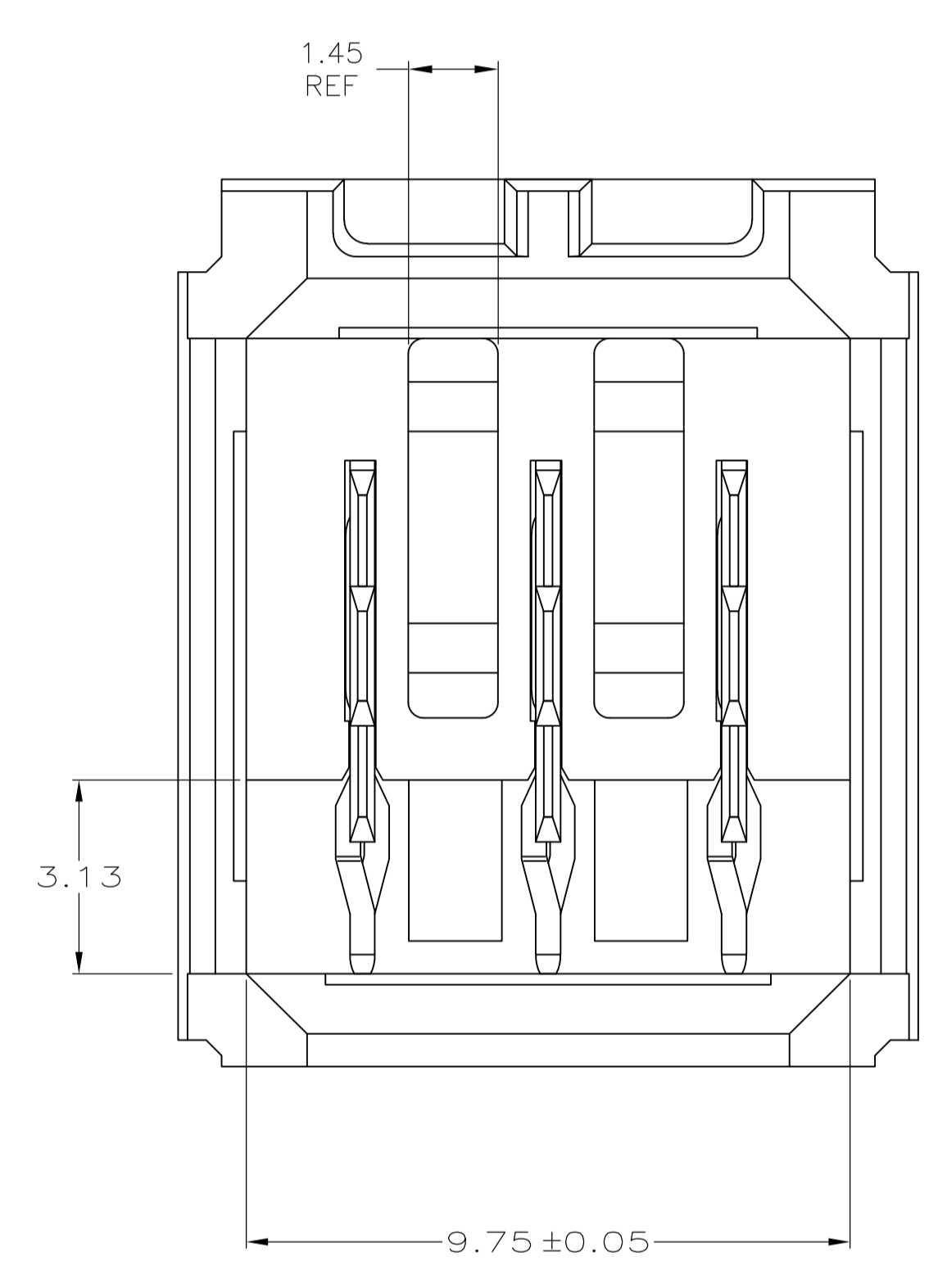


LOC		DIST		REVISIONS			
P	LTR	DATE	DMN	APVD			
E	REVISED PER ECO-11-000045	04JAN11	DH	DY			



- 1 MATERIAL: HOUSING: POLYESTER. COLOR: GRAY. UL 94V-0. CONTACT: PHOSPHOR BRONZE.
- 2 FINISH: CONTACT MATING AREA: 1.27µm MIN GOLD OR 0.08µm MIN GOLD OVER 0.76µm PALLADIUM-NICKEL. ACTION PIN AREA: 0.5µm MIN TIN LEAD PLATE. ALL OVER 1.27µm MIN NICKEL UNDERPLATE.
- 3 FINISH: CONTACT LUBRICATION WITH BELLCORE APPROVED LUBRICANT. TECHNICAL REFERENCE: TR-NWT-001217 ISSUE 1, SEPT 1992.
- 4 REFERENCE APPLICATION SPEC 114-1103 FOR RECOMMENDED PLATED THRU HOLE DIAMETER AND PLATING THICKNESSES.
- 5 CURRENT RATING 10A/CONTACT PER PRODUCT SPEC 108-1651.



SECTION W-W
SCALE 40:1

223981-1
PART NUMBER

RECOMMENDED PCB HOLE LAYOUT

THIS DRAWING IS A CONTROLLED DOCUMENT.		DIN T. SHUEY 10-29-95	Tyco Electronics Corporation Tyco Electronics Corporation Harrisburg, PA 17105-3608	
DIMENSIONS: mm		CHK R. PATTERSON 11-2-98	NAME R. PATTERSON 11-2-98	
TOLERANCES UNLESS OTHERWISE SPECIFIED:		PRODUCT SPEC		
0 PLC ± -		APPLICATION SPEC		
1 PLC ± 0.13		SIZE CASE CODE DRAWING NO		
2 PLC ± 0.13		A1 00779 C=223981		
3 PLC ± -		RESTRICTED TO		
4 PLC ± -		CUSTOMER DRAWING		
ANGLES ± -		SCALE 10:1 SHEET 1 OF 1 REV E		