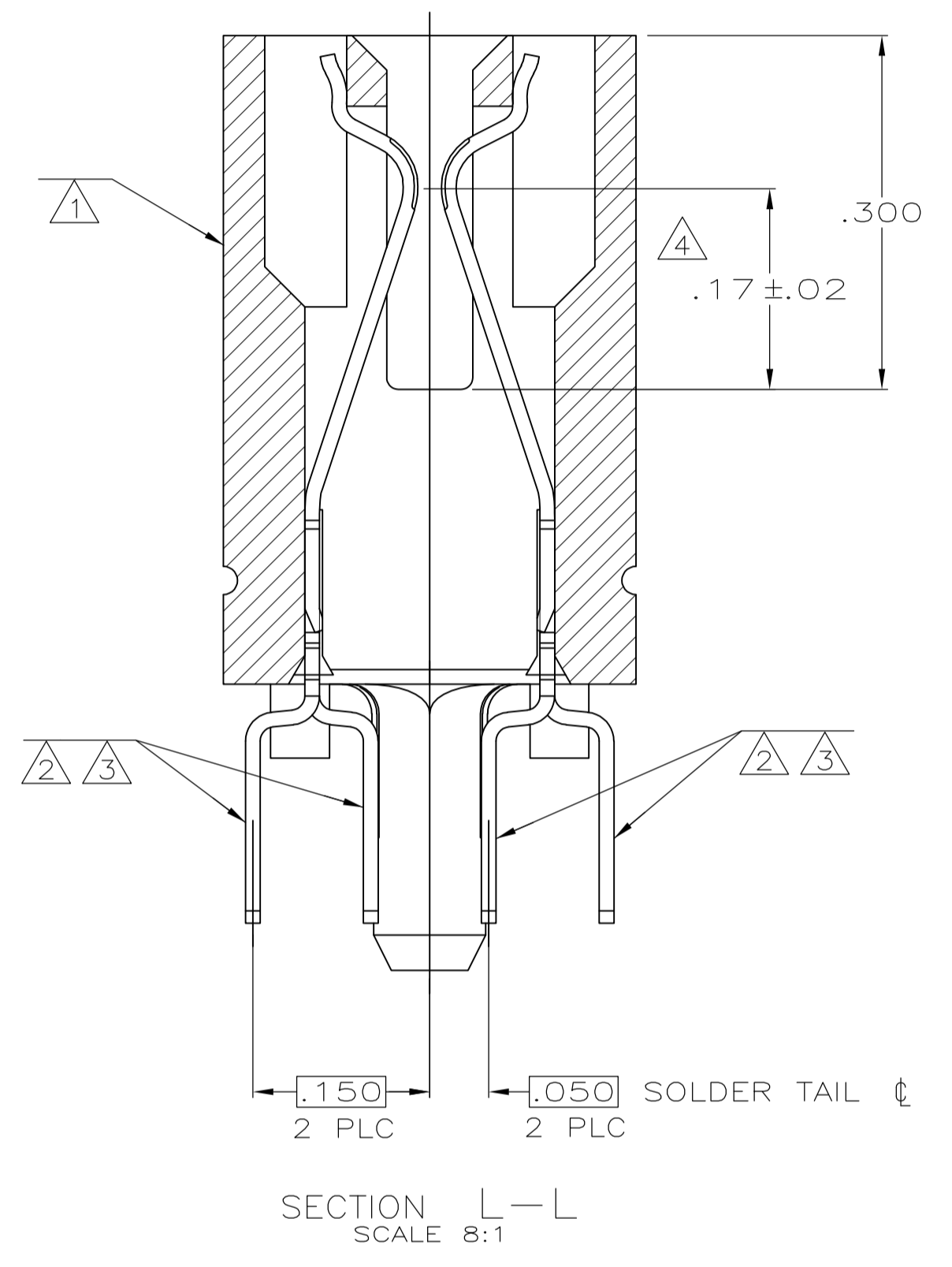
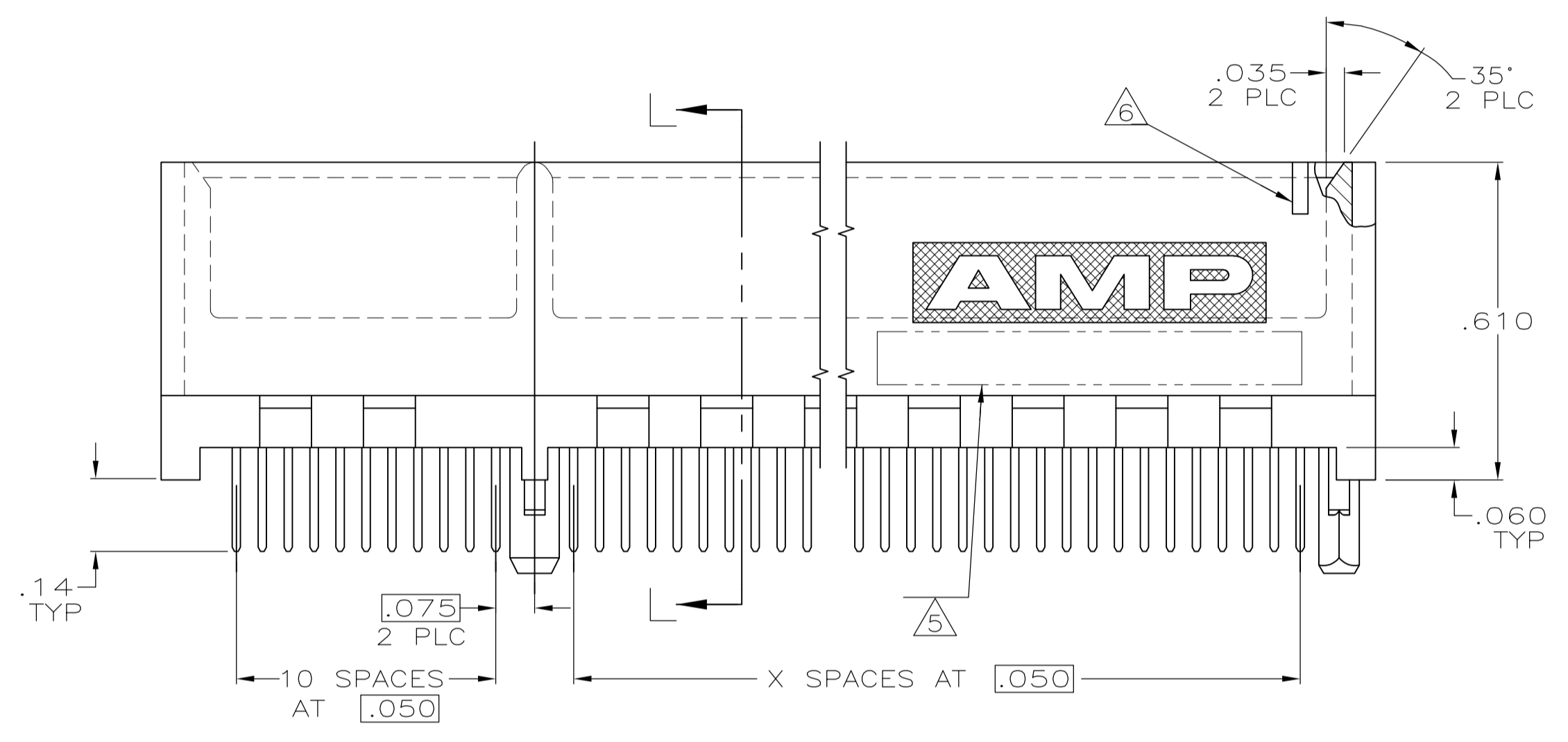
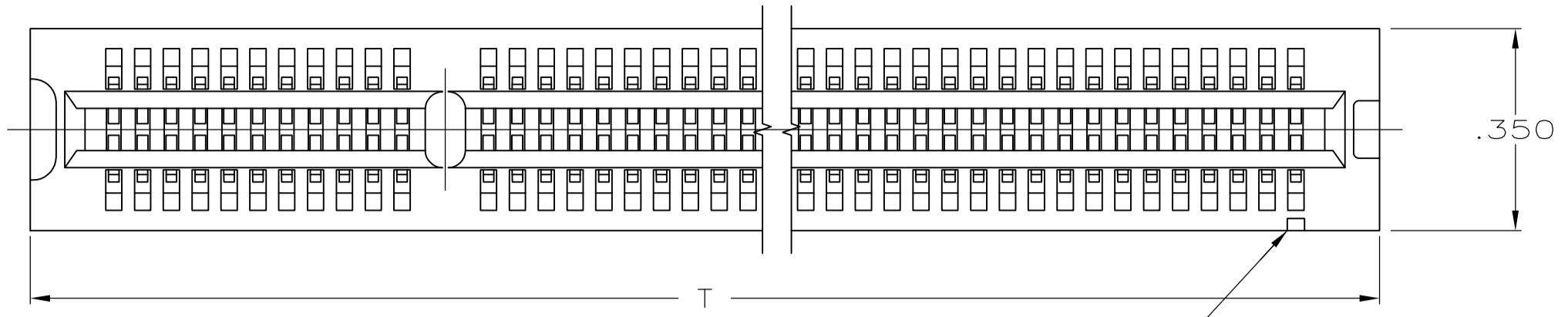
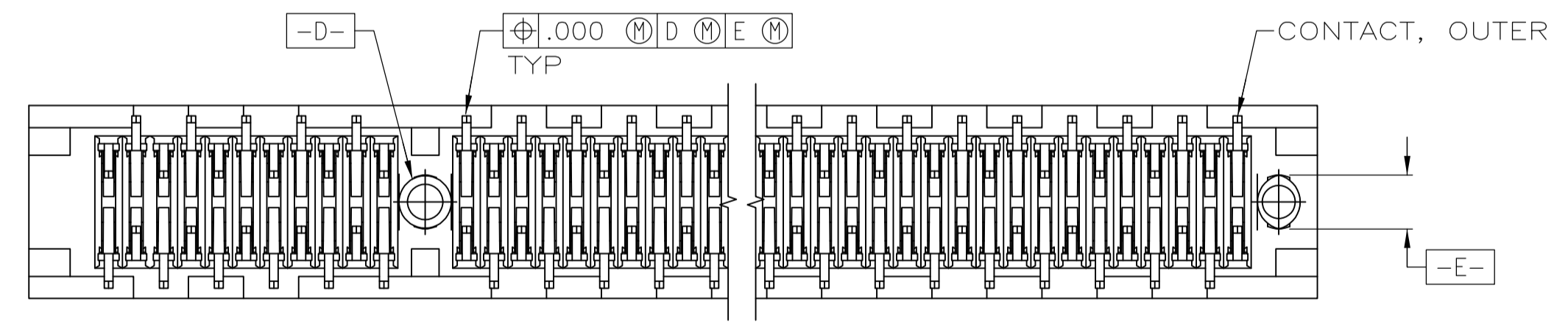


LOC	DIST	P	F	ZONE	LTR	DESCRIPTION	DATE	APPD
AD	14					D REDRAWN PER AD-5103	3/91	MB
						E REVISED PER AD6120	3/31/92	MB
						F REVISED PER AD6278	3/31/92	MB
						G REVISED PER 0010-0072-96	5/16/96	RB MB
						H REVISED PER 0430-0281-96	7/23/97	RB MB
						J REV PER EC 0651-0081-99	04/09/99	KW
						J1 REVISED PER ECO-10-000443	15JAN10	HMR



- 1 HOUSING: HIGH TEMPERATURE THERMOPLASTIC. COLOR: BROWN.
- 2 CONTACT: PHOSPHOR BRONZE.
- 3 CONTACT FINISH: .000100 MIN NICKEL ALL OVER. .000030 MIN GOLD OVER NICKEL IN CONTACT AREA. .000100 MIN TIN-LEAD OVER NICKEL ON SOLDER TAILS.
- 4 DISTANCE FROM CONTACT POINT TO BOTTOM OF CARD SLOT.
- 5 AMP PART NUMBER, DATE CODE AND CSA LOGO MARKED IN APPROXIMATE AREA SHOWN.
- 6 PIN ONE IDENTIFIER NOTCH ONLY ON PART NUMBERS INDICATED.
- 7 OBSOLETE PARTS: OBSOLETE CIS STREAMLINING PER D.RENAUD/D.SINISI

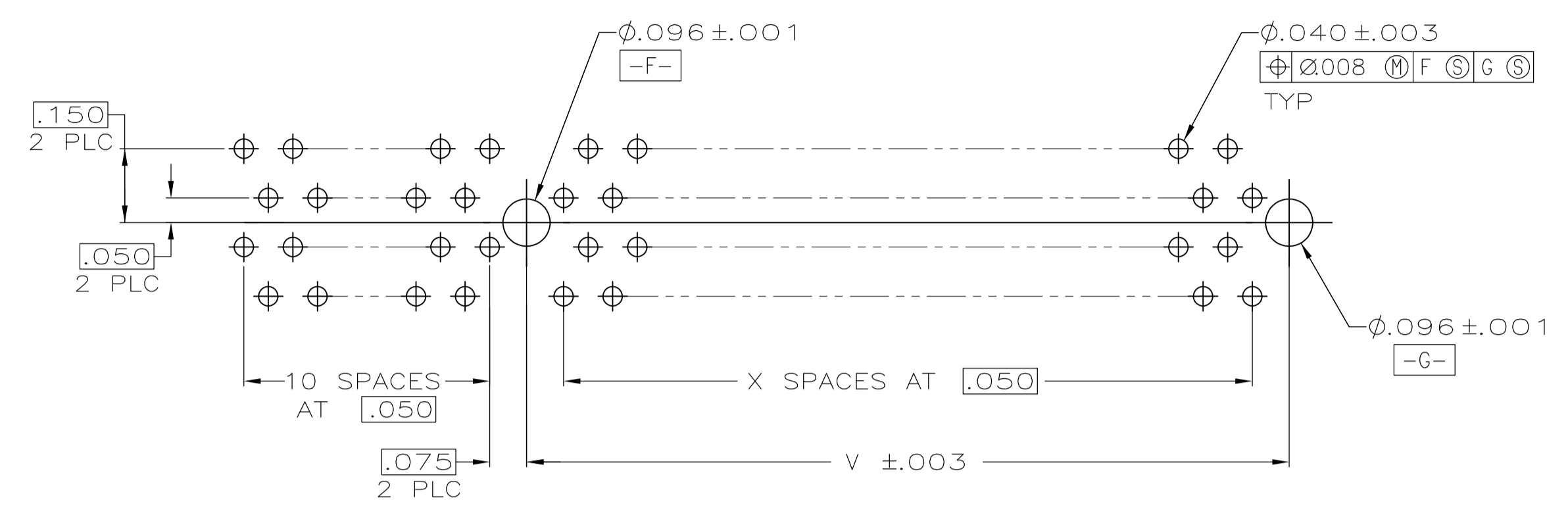


SEE SHEET 2 FOR HOLE PATTERNS

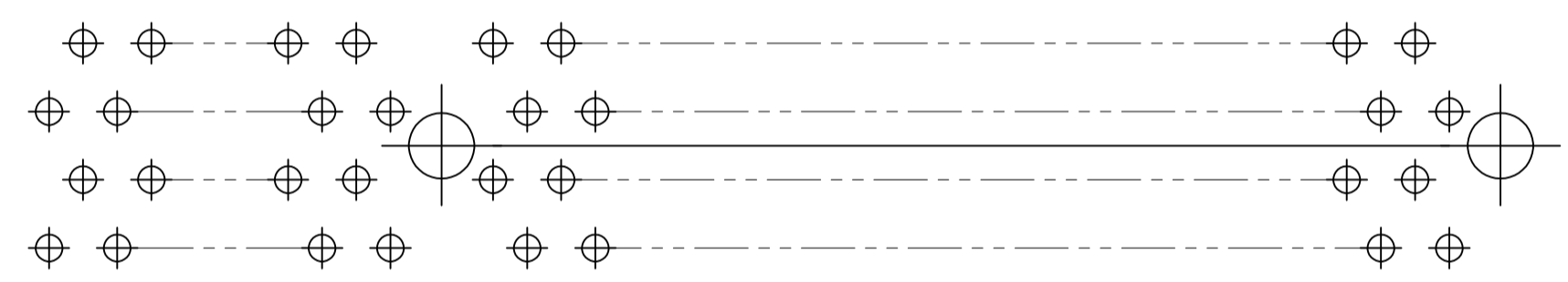
SUPERCEDED BY 5650181-3	NO	B	.700	.660	1.49	1 1	23	-650181-3
	NO	A	1.550	1.510	2.34	28	40	650181-2
	YES	A	2.350	2.310	3.14	44	56	650181-1
PIN ONE IDENTIFIER	HOLE PATTERN	V	U	T	X	NO OF DUAL POSN	PART NUMBER	

DO NOT SCALE PRINT. UNLESS SPECIFIED DIMENSIONS IN mm [INCHES] TOLERANCES - ON : 2 PLC DEC ± .01 3 PLC DEC ± .005 ANGLES ± 2'	DR 3/20/91 K.L.CLOUSER/UTA CHK 11-21-91 M.BOWERS APPD 11-21-91 M.THUMMA	AMP Incorporated Harrisburg, PA 17105-3608
HOUSING: 1 CONTACT: 2 CONTACT: 3	APPD 11-21-91 M.BOWERS PRODUCT SPEC 108-14034	
FINISH	APPLICATION SPEC 114-26012	SIZE D CAGE CODE 00779 DRAWING NO 650181
WEIGHT		SCALE 4:1 SHEET 1 OF 2

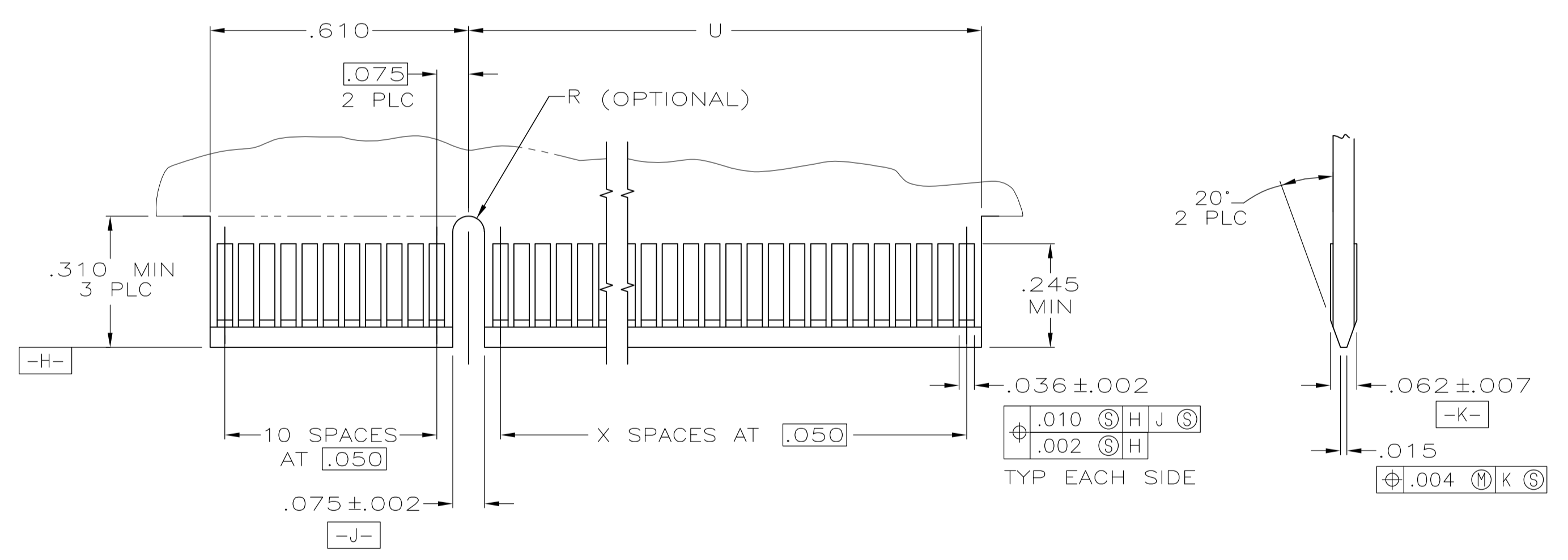
LOC		DIST		ZONE		LTR		REVISIONS		
AD	14	P	F					DESCRIPTION	DATE	APPD
				J1				SEE SHEET 1	-	-



RECOMMENDED CONNECTOR MOUNTING HOLE PATTERN A  
(CONNECTOR SIDE SHOWN)



RECOMMENDED CONNECTOR MOUNTING HOLE PATTERN B  
(CONNECTOR SIDE SHOWN)



RECOMMENDED MATING BOARD EDGE CONFIGURATION

DO NOT SCALE PRINT. UNLESS SPECIFIED DIMENSIONS IN mm [INCHES] TOLERANCES ON: 2 PLC DEC ± .01 3 PLC DEC ± .005 ANGLES ± 2'		DR 3/20/91 K.L.CLOUSER/UTA		AMP Incorporated Harrisburg, PA 17105-3608	
HOUSING:		CHK 11-21-91 M.BOWERS			
CONTACT:		APPD 11-21-91 M.THUMMA		NAME CONNECTOR ASSEMBLY, DUAL POSITION, .050 SERIES, STANDARD EDGE	
FINISH CONTACT:		APPD 11-21-91 M.BOWERS		SIZE D 00779	
		PRODUCT SPEC 108-14034		CAGE CODE 00779	
		APPLICATION SPEC 114-26012		DRAWING NO 650181	
		WEIGHT		SCALE 4:1	
				SHEET 2 OF 2	