

THIS DRAWING IS UNPUBLISHED.

RELEASED FOR PUBLICATION

© COPYRIGHT

ALL RIGHTS RESERVED.

LOC

DIST

REVISIONS

P	LTR	DESCRIPTION	DATE	DWN	APVD
	B1	REVISED PER ECO-11-005140	29MAR11	RK	HMR

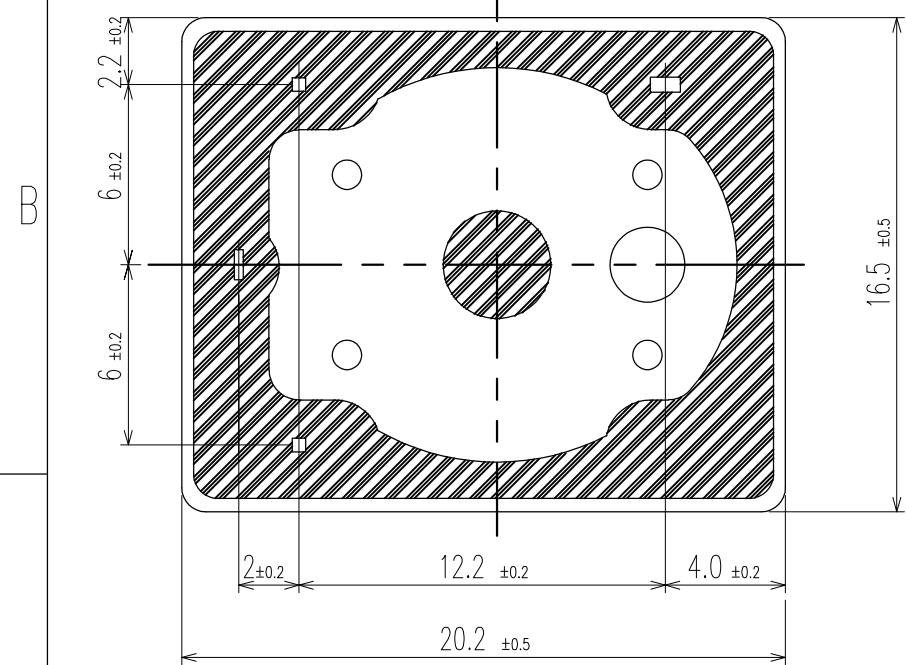
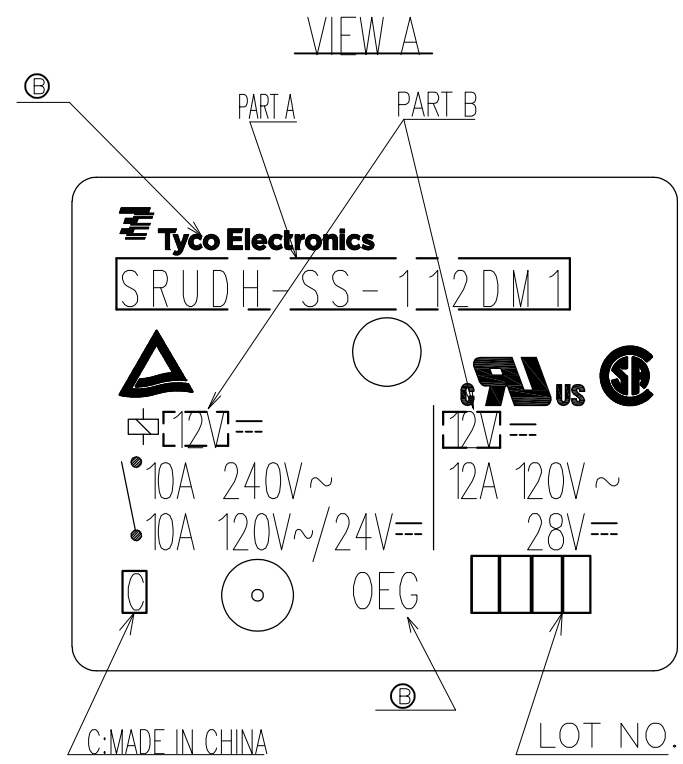
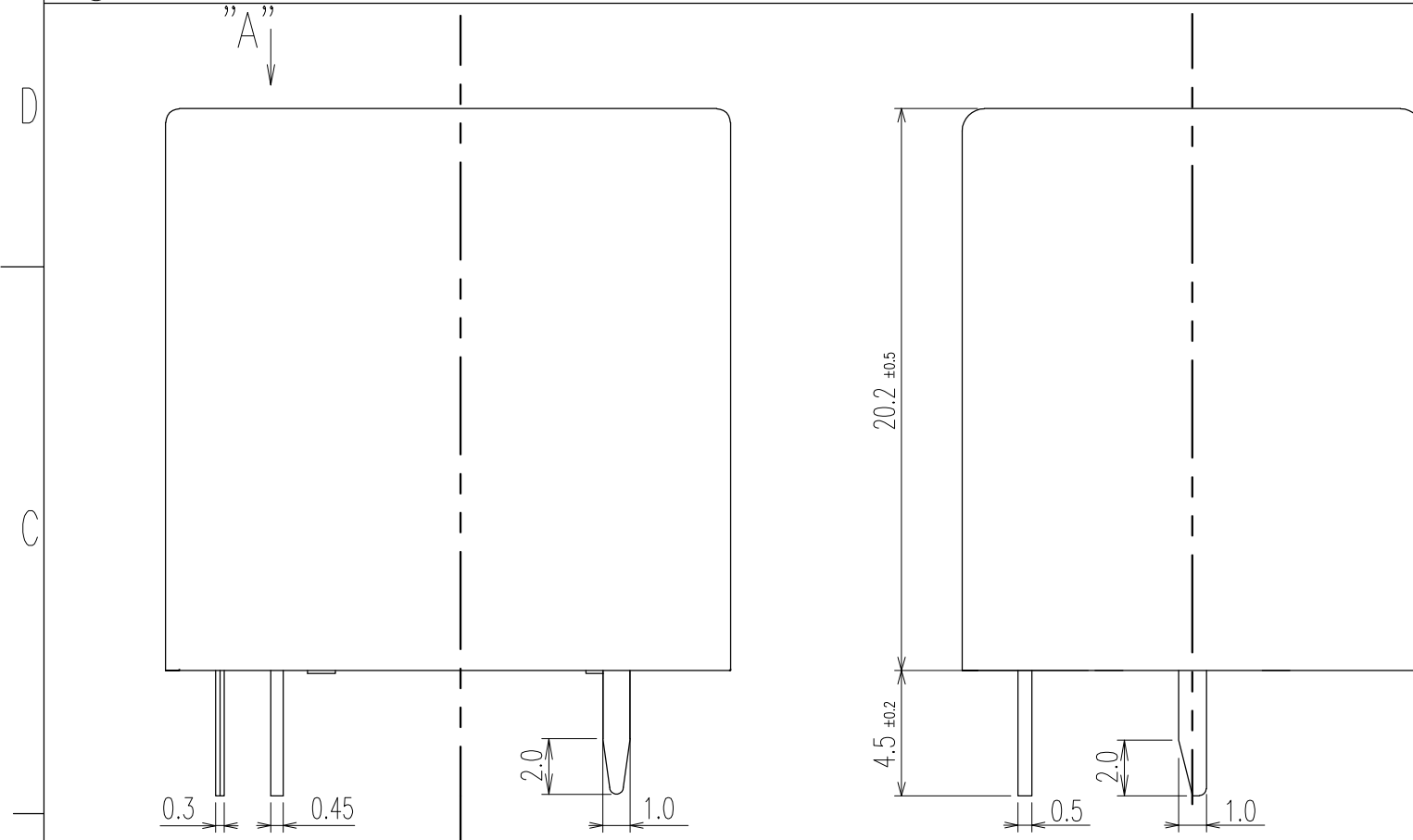
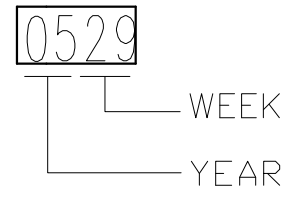


Diagram dimension	Tolerance
0.99mm max.	±0.1mm
1 - 2.99mm	±0.2mm
3mm min.	±0.3mm

NOTE
1. LOT NO SYSTEM AS FOLLOWING:



DWN H.SASAKI		TE Connectivity	
CHK Y.OIKAWA			
APVD A.NAGAI		NAME	
PRODUCT SPEC		SRUDH-DM1,000B SPECIAL	
APPLICATION SPEC		RESTRICTED TO	
WEIGHT		SIZE A3	CAGE CODE 00779
MATERIAL		DRAWING NO C= 1721440	RESTRICTED TO
FINISH		SCALE 4:1	SHEET 1 OF 2
CUSTOMER DRAWING		REV B1	

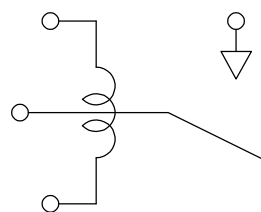
THIS DRAWING IS UNPUBLISHED. RELEASED FOR PUBLICATION
 © COPYRIGHT ALL RIGHTS RESERVED.

LOC HH	DIST	REVISIONS						
		P	LTR	DESCRIPTION	ECN	DATE	DWN	APVD

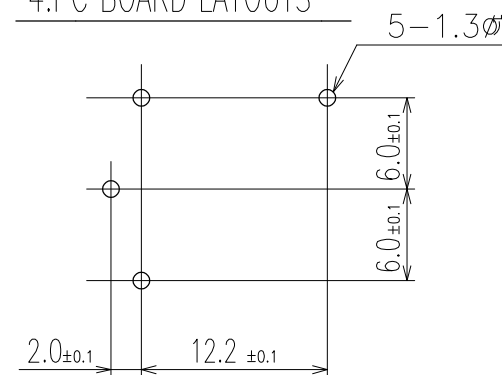
3-1419146-3	SRUDH-SS-105DM1	107-79007	5V	SRUDH-SS-105DM1	y	(B)
3-1419146-2	SRUDH-SH-148DM1	107-79007	48V	SRUDH-SH-148DM1	x	(A1)
9-1419126-0	SRUDH-SH-124DM1	107-79007	24V	SRUDH-SH-124DM1	w	(A1)
1461902-1	SRUDH-SH-115DM1	107-79007	15V	SRUDH-SH-115DM1	v	(A1)
8-1419126-4	SRUDH-SH-112DM1	107-79007	12V	SRUDH-SH-112DM1	u	(A1)
3-1419146-1	SRUDH-SH-109DM1	107-79007	9V	SRUDH-SH-109DM1	t	(A1)
7-1419126-8	SRUDH-SH-106DM1	107-79007	6V	SRUDH-SH-106DM1	s	(A1)
3-1419146-0	SRUDH-SH-105DM1	107-79007	5V	SRUDH-SH-105DM1	r	(A1)
2-1419146-8	SRUDH-SH-103DM1	107-79007	3V	SRUDH-SH-103DM1	q	(A1)
1-1721440-6	SRUDH-SH-148DM1	107-79033	48V	SRUDH-SH-148DM1	p	
1-1721440-5	SRUDH-SH-124DM1	107-79033	24V	SRUDH-SH-124DM1	o	
1-1721440-4	SRUDH-SH-118DM1	107-79033	18V	SRUDH-SH-118DM1	n	
1-1721440-3	SRUDH-SH-112DM1	107-79033	12V	SRUDH-SH-112DM1	m	
1-1721440-2	SRUDH-SH-109DM1	107-79033	9V	SRUDH-SH-109DM1	l	
1-1721440-1	SRUDH-SH-106DM1	107-79033	6V	SRUDH-SH-106DM1	k	
1-1721440-0	SRUDH-SH-105DM1	107-79033	5V	SRUDH-SH-105DM1	j	
1721440-9	SRUDH-SH-103DM1	107-79033	3V	SRUDH-SH-103DM1	i	
1721440-8	SRUDH-SS-148DM1	107-79033	48V	SRUDH-SS-148DM1	h	
1721440-7	SRUDH-SS-124DM1	107-79033	24V	SRUDH-SS-124DM1	g	
1721440-6	SRUDH-SS-118DM1	107-79033	18V	SRUDH-SS-118DM1	f	
1721440-5	SRUDH-SS-112DM1	107-79033	12V	SRUDH-SS-112DM1	e	
1721440-4	SRUDH-SS-109DM1	107-79033	9V	SRUDH-SS-109DM1	d	
1721440-3	SRUDH-SS-106DM1	107-79033	6V	SRUDH-SS-106DM1	c	
1721440-2	SRUDH-SS-105DM1	107-79033	5V	SRUDH-SS-105DM1	b	
1721440-1	SRUDH-SS-103DM1	107-79033	3V	SRUDH-SS-103DM1	a	
TE CONNECTIVITY PART NO	DESCRIPTION	PACKING SPECIFICATION	PART B	PART A	ITEM	

RELAY TYPE

3. WIRING DIAGRAMS



4. PC BOARD LAYOUTS



		UV RESIN	UV SEAL (FOR SH TYPE)	14	
		EPOXY RESIN	SEAL	13	
		UEW	MAGNETIC WIRE	12	
UL 94V-0		PBT	CASE	11	
UL 94V-0		PBT	BOBBIN	10	
		CP WIRE	COIL TERMINAL	9	
		Ag ALLOY	STATIONARY CONTACT	8	
		Ag ALLOY	MOVABLE CONTACT	7	
		Cu ALLOY	DUMMY B-TERMINAL	6	
		Cu	M-TERMINAL	5	
		Cu ALLOY	MOVABLE SPRING	4	
		Ni PLATING	STEEL	CORE	3
		Ni PLATING	STEEL	ARMATURE	2
		Ni PLATING	STEEL	YOKE	1
INCOMBUSTIBILITY	TREATMENT	MATERIAL	DESCRIPTION	ITEM	

DIMENSIONS: mm	TOLERANCES UNLESS OTHERWISE SPECIFIED: 0 PLC ± 1 PLC ± 2 PLC ± 3 PLC ± 4 PLC ± ANGLES ±	DWN	TE Connectivity				
		CHK					
	MATERIAL	APVD	NAME				
		PRODUCT SPEC	SRUDH-DM1,000B SPECIAL				
		APPLICATION SPEC	SIZE	CAGE CODE	DRAWING NO	RESTRICTED TO	
	FINISH	WEIGHT	A3	00779	C=	1721440	-
CUSTOMER DRAWING			SCALE	4:1	SHEET	2 OF 2	REV B1