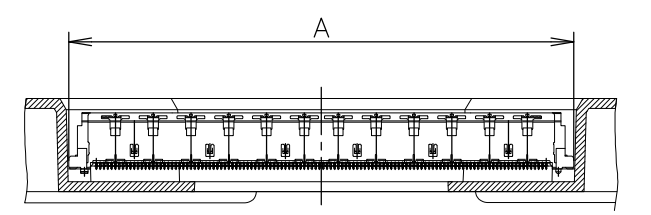
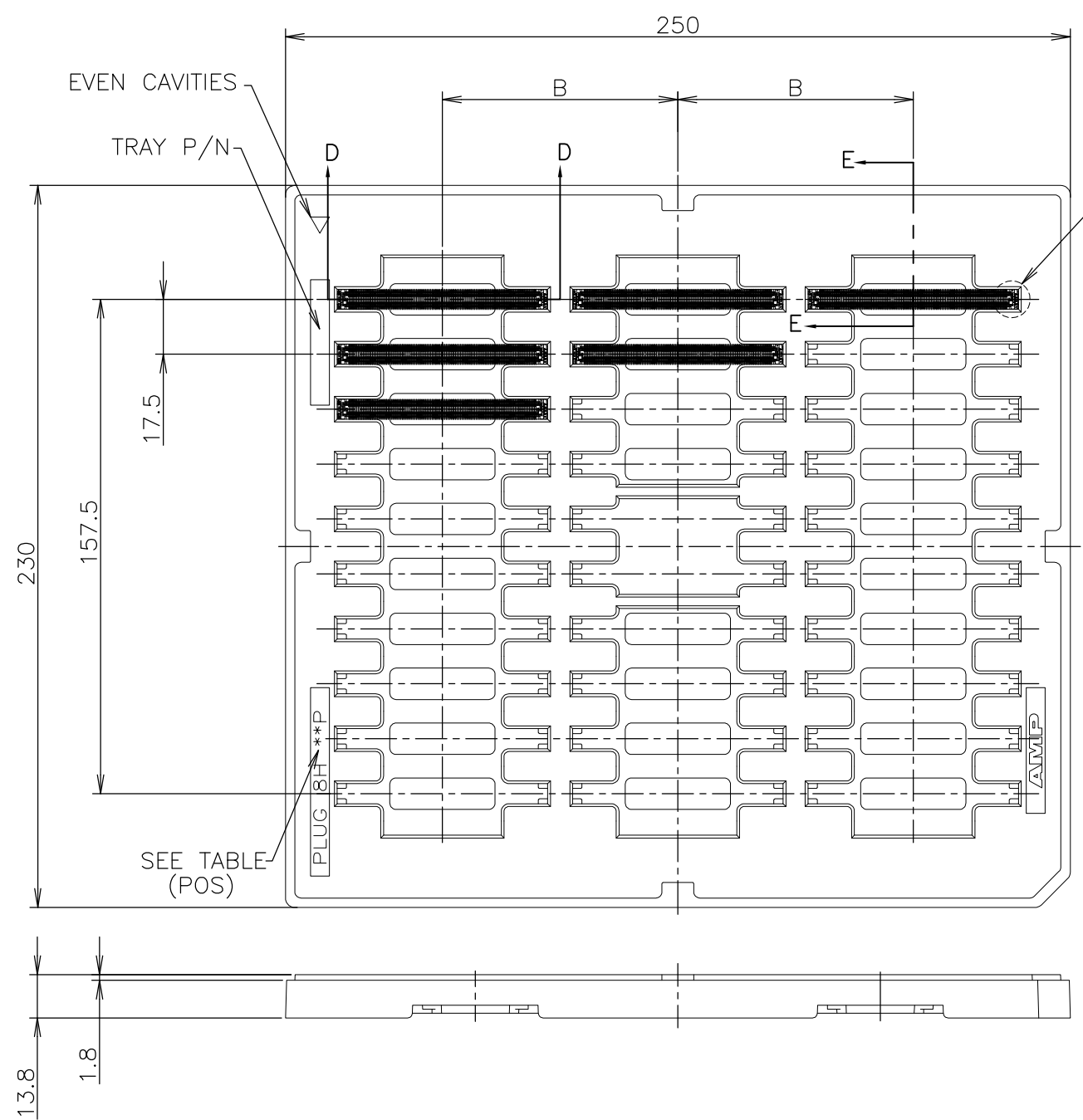
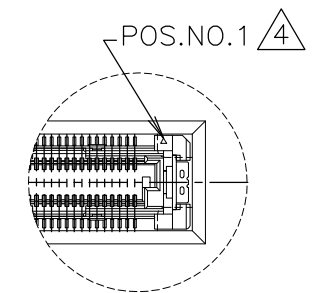


THIS DRAWING IS UNPUBLISHED. RELEASED FOR PUBLICATION - .2006.
 © COPYRIGHT 2006 By - ALL RIGHTS RESERVED.

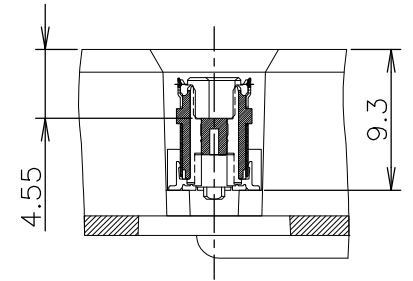
LOC	DIST	REVISIONS				
P	LTR	DESCRIPTION	DATE	DWN	APVD	
J	/					
	D	REVISED PER ECR-13-006361	15APR13	I.T	S.Y	



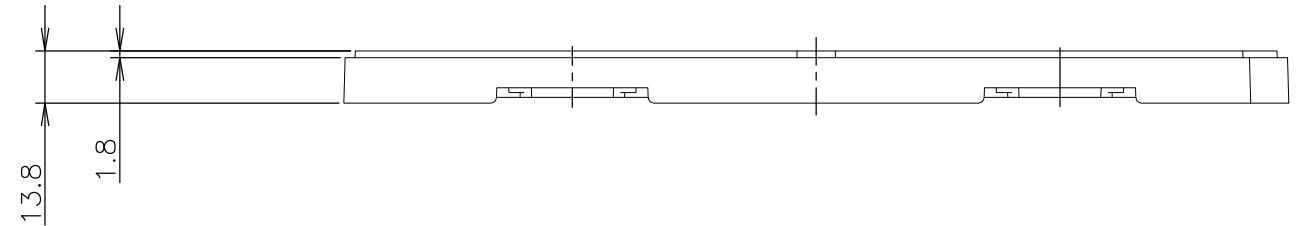
SECT. D-D
 (SCALE 2:1)
 (CONNECTOR NOT SECTION)



DETAIL C
 (SCALE 2:1)



SECT. E-E
 (SCALE 2:1)



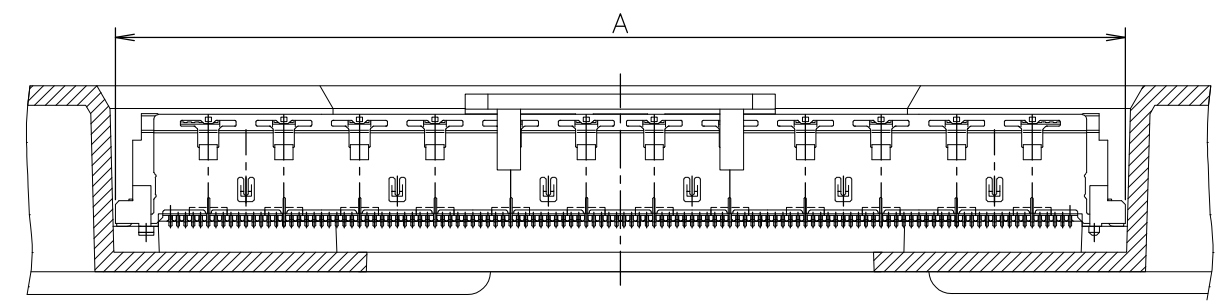
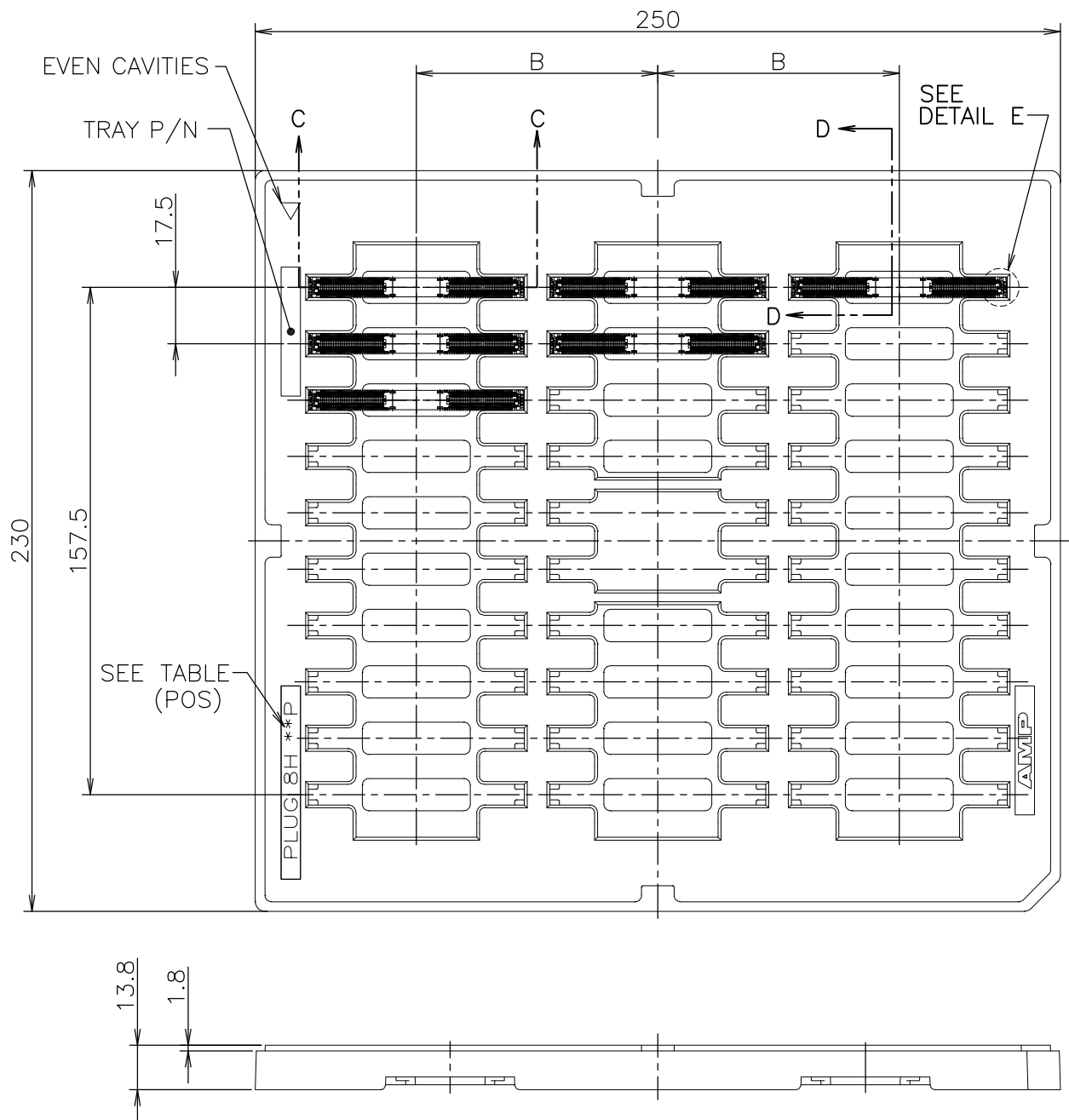
WITHOUT PICK UP CAP

YES Δ	WITHOUT	3	30	75	61.8	220	8-1939756-6
NO	WITHOUT	3	30	75	61.8	220	3-1939756-6
SEALANT	CAP	ROW	QTY	B	A	POS.	PART NO.

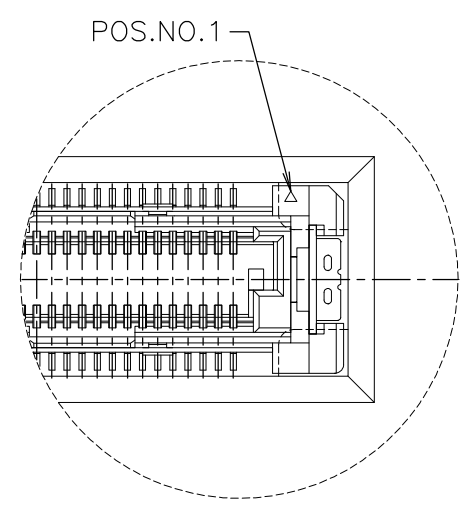
THIS DRAWING IS A CONTROLLED DOCUMENT.		DWN	Y.NAKAZAWA	25JUL06	TE Connectivity HARD TRAY ASSY FH 0.5BTB CONNECTOR 220POS PLUG 8H WITH GROUND PLATE			
DIMENSIONS: MM		CHK	T.KUSUHARA	25JUL06				
TOLERANCES UNLESS OTHERWISE SPECIFIED:		APVD	T.KUSUHARA	25JUL06				
0 PLC ± 0.3 1 PLC ± 0.3 2 PLC ± 0.3 3 PLC ± 0.3 4 PLC ± 0.3 ANGLES ± 3°		PRODUCT SPEC		NAME				
MATERIAL		108-5560		APPLICATION SPEC	SIZE	CAGE CODE	DRAWING NO	RESTRICTED TO
FINISH		WEIGHT		A3 00779		C-1939756		
CUSTOMER DRAWING				SCALE	1:2	SHEET	1 OF 4	REV
								D

THIS DRAWING IS UNPUBLISHED. RELEASED FOR PUBLICATION NOV , 1996.
 © COPYRIGHT 1996 By - ALL RIGHTS RESERVED.

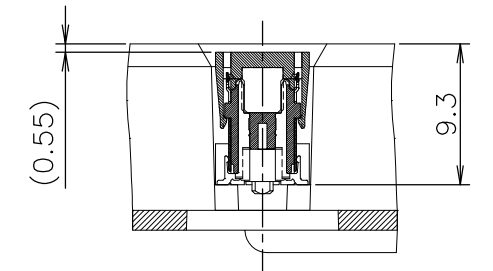
LOC	DIST	REVISIONS			
P	LTR	DESCRIPTION	DATE	DWN	APVD
J	-	SEE SHEET 1	-	-	-



SECT. C-C
(SCALE 2:1)



DETAIL E
(SCALE 4:1)



SECT. D-D
(SCALE 2:1)

WITH PICK UP CAP

THIS DRAWING IS A CONTROLLED DOCUMENT.		DWN	-
DIMENSIONS: MM		CHK	-
TOLERANCES UNLESS OTHERWISE SPECIFIED:		APVD	-
0 PLC	± 0.3	PRODUCT SPEC	-
1 PLC	± 0.3	APPLICATION SPEC	-
2 PLC	± 0.3	WEIGHT	-
3 PLC	± 0.3	CUSTOMER DRAWING	-
4 PLC	± 0.3	SCALE	4:1
ANGLES	± 3'	SHEET	2 OF 4
MATERIAL	FINISH	REV	D

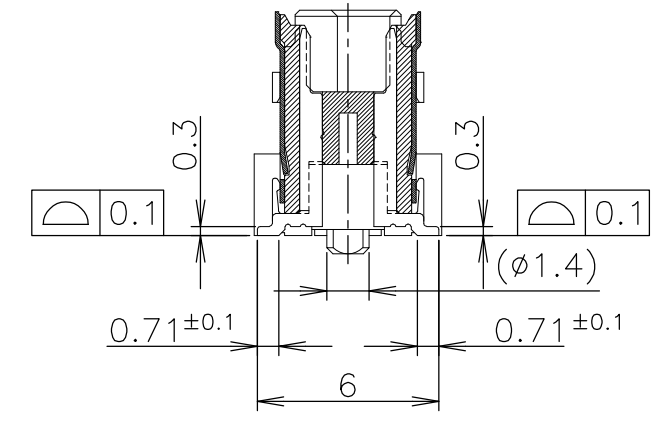
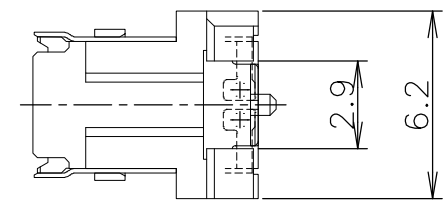
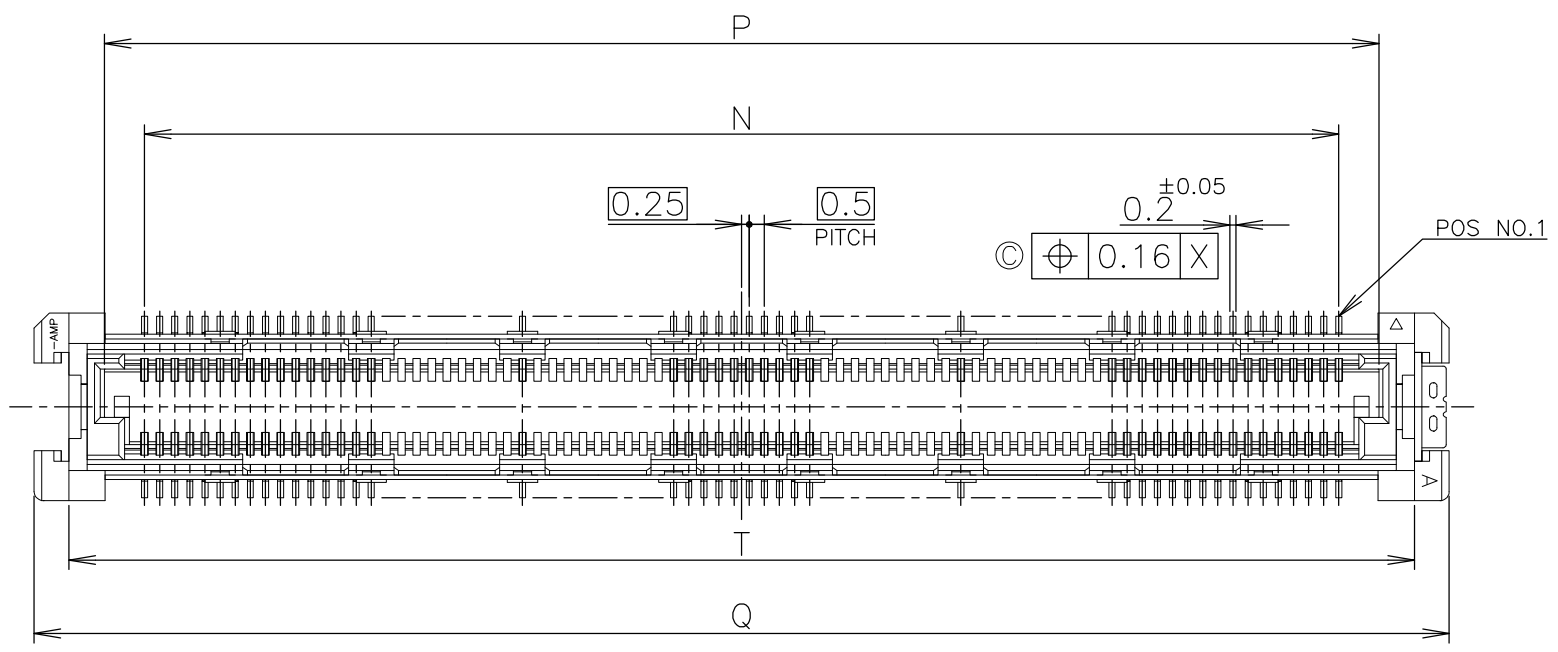
NO	WITH	3	30	75	61.8	220	9-1939756-6
SEALANT	CAP	ROW	QTY	B	A	POS.	PART NO.
DWN		-					
CHK		-					
APVD		-					
PRODUCT SPEC		-					
APPLICATION SPEC		-					
WEIGHT		-					
SIZE	CAGE CODE	DRAWING NO			RESTRICTED TO		
A3	00779	C-1939756			-		
SCALE		SHEET		REV		D	
4:1		2 OF 4		D		-	



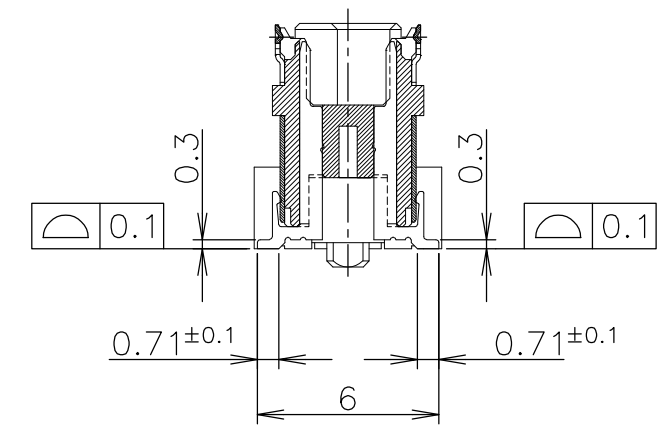
HARD TRAY ASSY
 FH 0.5BTB CONNECTOR 220POS
 PLUG 8H WITH GROUND PLATE

THIS DRAWING IS UNPUBLISHED. RELEASED FOR PUBLICATION NOV , 1996.
 © COPYRIGHT 1996 By - ALL RIGHTS RESERVED.

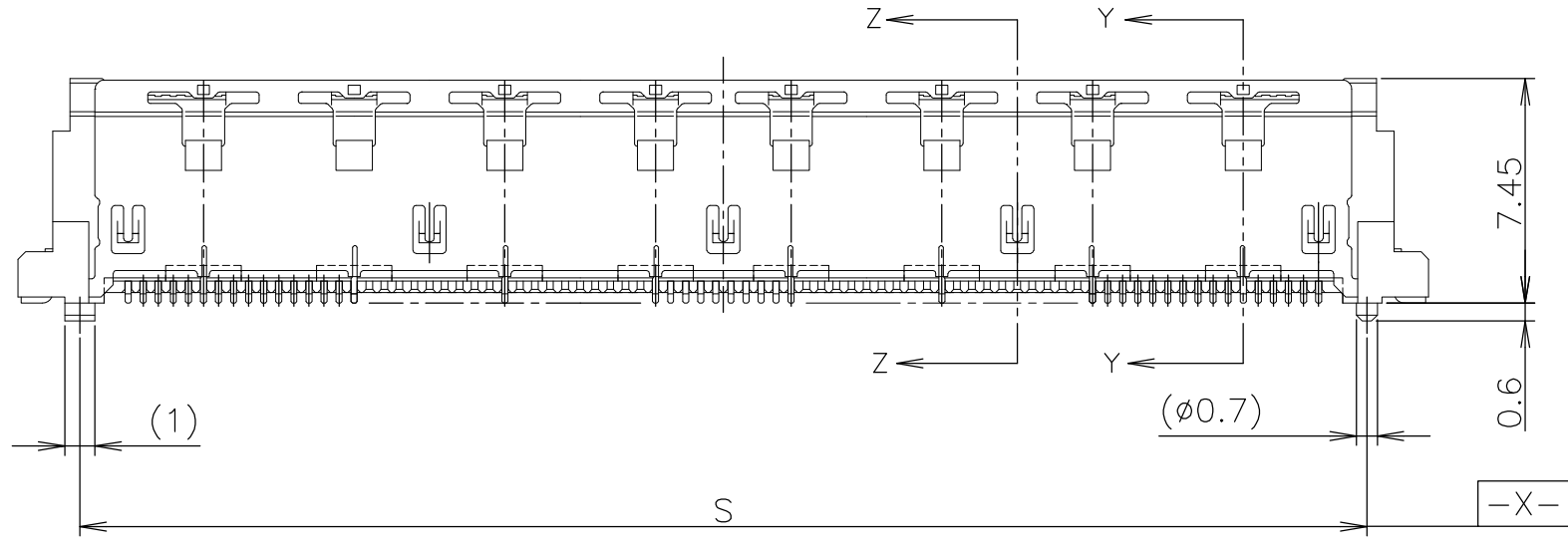
LOC	DIST	REVISIONS			
P	LTR	DESCRIPTION	DATE	DWN	APVD
J	/	SEE SHEET 1	-	-	-



SECT. Z-Z
(SIGNAL POSITION)



SECT. Y-Y
(GROUND POSITION)



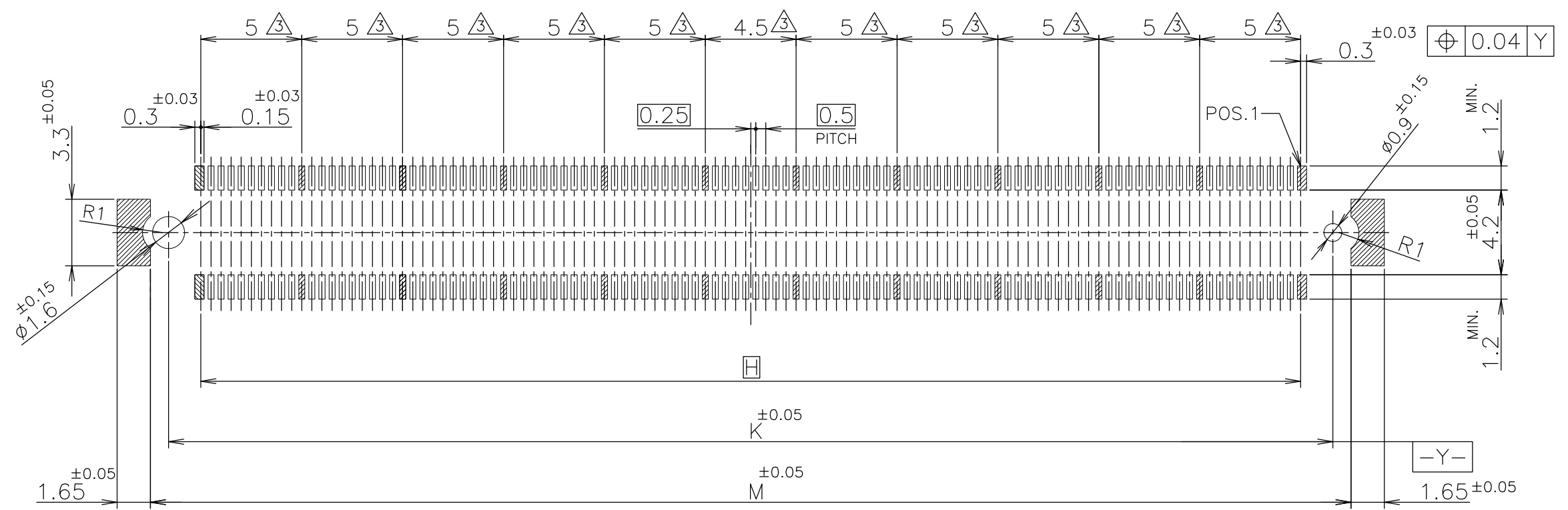
- NOTE:**
- ① MATERIAL ; HOUSING : HIGH TEMP THERMO PLASTIC UL94V-0
CONTACT : COPPER ALLOY
SOLDER PEG : COPPER ALLOY
 - ② FINISH ; SIGNAL CONTACT : UNDER PL Ni 0.0013mm MIN ALL OVER.
CONTACT AREA 0.00076mm MIN Au PL.
SOLDERING AREA 0.001mm MIN TIN PL.
GROUND CONTACT : UNDER PL Ni 0.0013mm MIN ALL OVER.
CONTACT AREA 0.00076mm MIN Au PL.
SOLDERING AREA 0.001mm MIN TIN PL.
SOLDER PEG : 0.001mm MIN TIN PL. OVER
0.0013mm MIN Ni PL ALL OVER.
 - ③ THIS POSITION IS GROUND CIRCUIT.
 - ④ THIS PRODUCT WAS COATED BY FLUX-PENETRATION-INHIAITING AGENT.

59.5	57.7	61.8	57.1	54.5	220	BLACK	9-1939756-6
59.5	57.7	61.8	57.1	54.5	220	BLACK	8-1939756-6
59.5	57.7	61.8	57.1	54.5	220	BLACK	3-1939756-6
T	S	Q	P	N	POS.	HSG COLOR	PART NO.

THIS DRAWING IS A CONTROLLED DOCUMENT.		DWN	TE Connectivity HARD TRAY ASSY FH 0.5BTB CONNECTOR 220POS PLUG 8H WITH GROUND PLATE			
DIMENSIONS: MM		CHK				
TOLERANCES UNLESS OTHERWISE SPECIFIED:		APVD				
0 PLC ± 0.3 1 PLC ± 0.3 2 PLC ± 0.3 3 PLC ± 0.3 4 PLC ANGLES ± 0.3 FINISH ± 3'		PRODUCT SPEC				
MATERIAL ①		APVD	NAME			
FINISH ②		PRODUCT SPEC	SIZE			
		APPLICATION SPEC	CAGE CODE			
		WEIGHT	DRAWING NO			
		CUSTOMER DRAWING	RESTRICTED TO			
		SCALE 4:1	A3 00779 C-1939756			
		SHEET 3 OF 4	REV D			

THIS DRAWING IS UNPUBLISHED. RELEASED FOR PUBLICATION NOV , 1996.
 © COPYRIGHT 1996 By - ALL RIGHTS RESERVED.

LOC	DIST	REVISIONS			
P	LTR	DESCRIPTION	DATE	DWN	APVD
J	/	SEE SHEET 1	-	-	-



REFERENCE P.C.BOARD LAYOUT

59.5	57.7	54.5	220	9-1939756-6
59.5	57.7	54.5	220	8-1939756-6
59.5	57.7	54.5	220	3-1939756-6
M	K	H	POS	PART NO.

THIS DRAWING IS A CONTROLLED DOCUMENT.		DWN	TE Connectivity HARD TRAY ASSY FH 0.5BTB CONNECTOR 220POS PLUG 8H WITH GROUND PLATE				
DIMENSIONS: MM		CHK				NAME	
TOLERANCES UNLESS OTHERWISE SPECIFIED: 0 PLC ± 0.3 1 PLC ± 0.3 2 PLC ± 0.3 3 PLC ± 0.3 4 PLC ± 0.3 ANGLES ± 3°		APVD				SIZE	
MATERIAL		PRODUCT SPEC				CAGE CODE	DRAWING NO
 1		APPLICATION SPEC	A3	00779	C-1939756		
 2		WEIGHT	RESTRICTED TO				
CUSTOMER DRAWING			SCALE	SHEET	REV		
			4:1	4 OF 4	D		