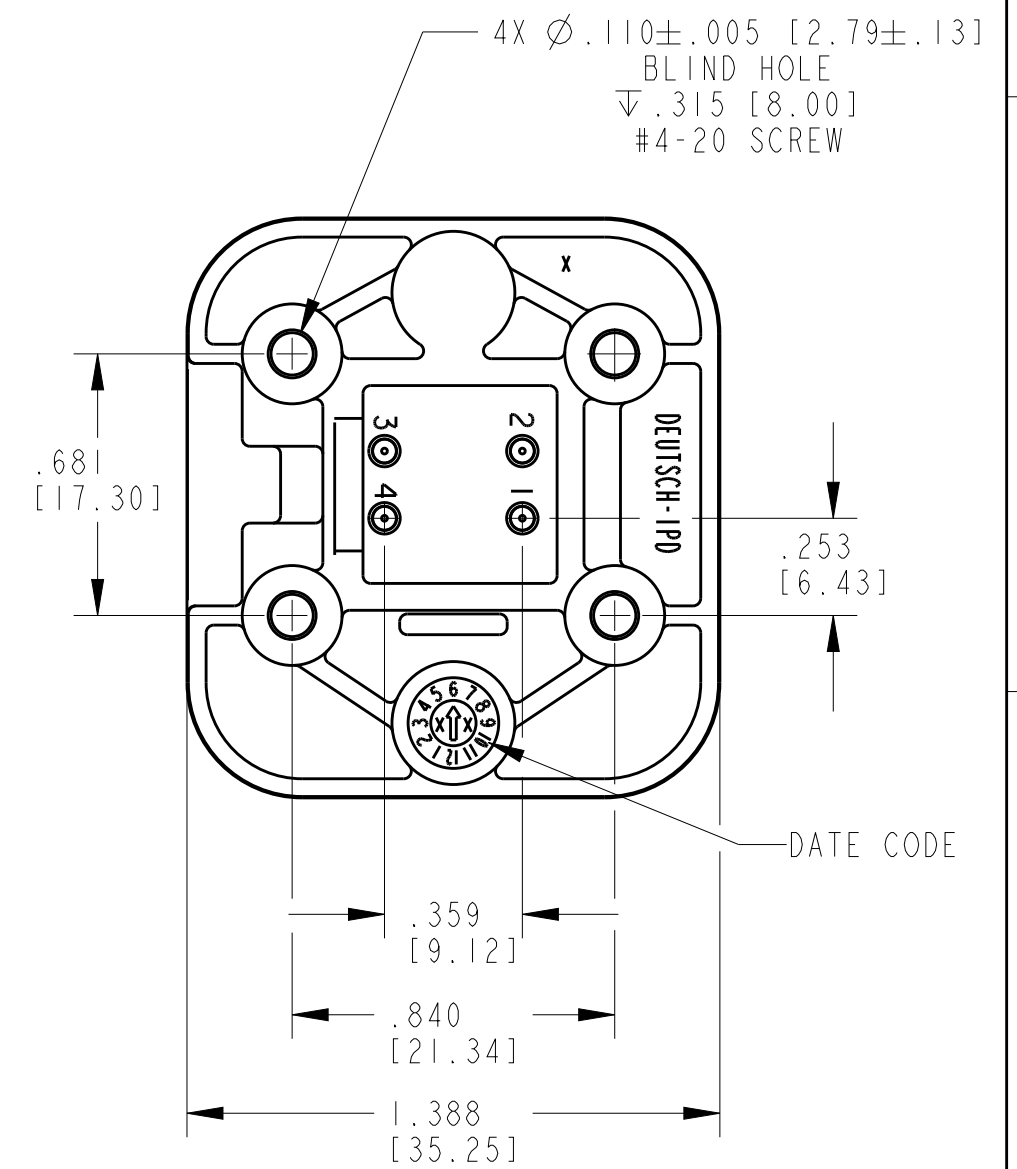
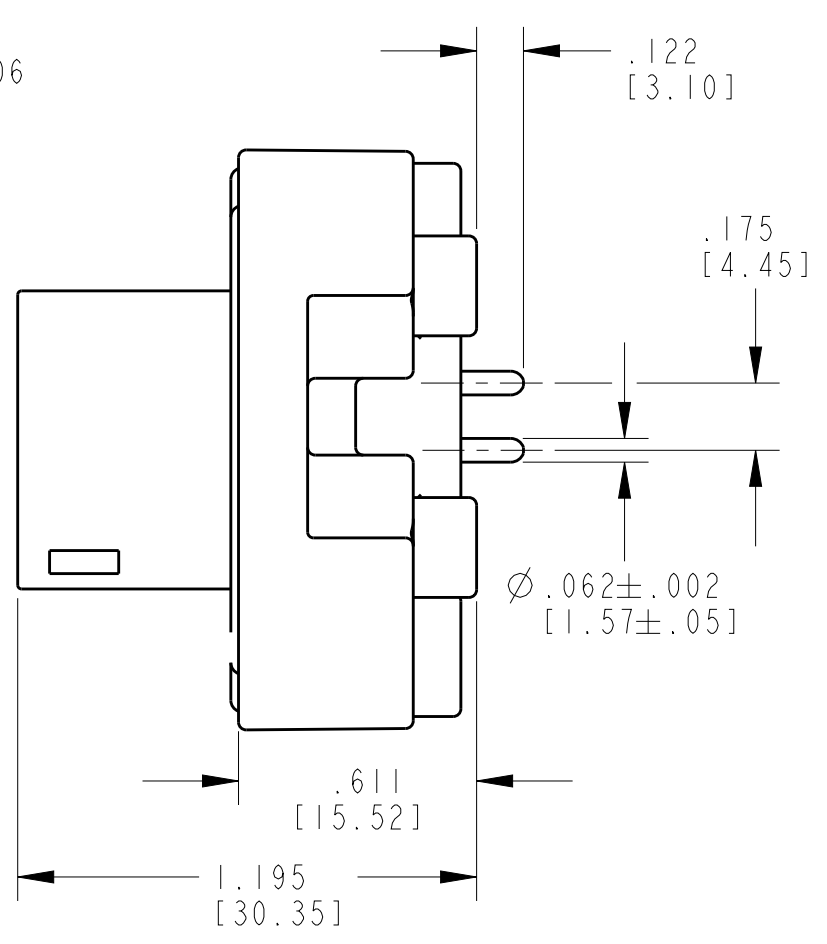
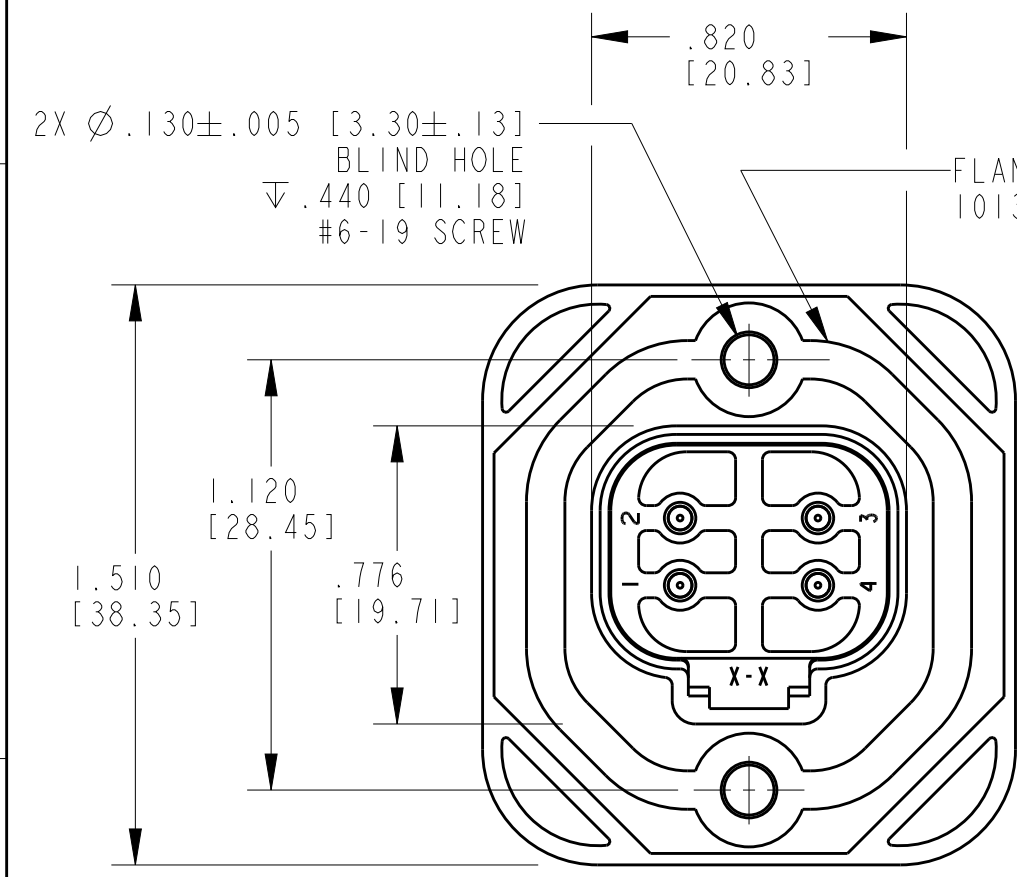


THIS DRAWING IS UNPUBLISHED  
 RELEASED FOR PUBLICATION 2014  
 © COPYRIGHT 2013 BY TE CONNECTIVITY ALL RIGHTS RESERVED.

LOC		DIST		REVISIONS			
P	LTR	DESCRIPTION	DATE	DWN	APVD		
	B	REVISED AND REDRAWN PER E.O. P17444	1-9-2		RDR		
	C	REVISED PER E.O. P18200	6-16-03		RDR		
	D	REVISED PER E.O. P19401	11-20-06		RDR		
	D1	REVISED PER ECO-14-010107	03JUL2014	JA	DM		



- 6. MOUNTING SCREW TORQUE VALUES ARE AS FOLLOWS:  
 #6-19 SCREWS:  $13 \pm 2.0$  IN-LB [ $1.47 \pm .23$  N-M].  
 #4-20 SCREWS:  $8 \pm 2.0$  IN-LB [ $.90 \pm .23$  N-M].  
 VALUES VALID FOR PLASTITE 48 SCREWS ONLY.
- 5. RECOMMENDED MOUNTING SCREWS (NOT INCLUDED): CAMCAR PLASTITE 48, SINGLE HELIX.
- 4. THIS RECEPTACLE MATES WITH DT06-4S-XXXX PLUG (XXXX = ALL MODIFICATIONS.)
- 3. CONTACT PLATING - MATING SIDE: NICKEL; PCB SIDE: TIN.

2 MATERIALS:  
 SHELL: PA GF30 (GRAY)  
 SEAL: SILICONE (ORANGE-RED)  
 PIN CONTACTS: COPPER ALLOY

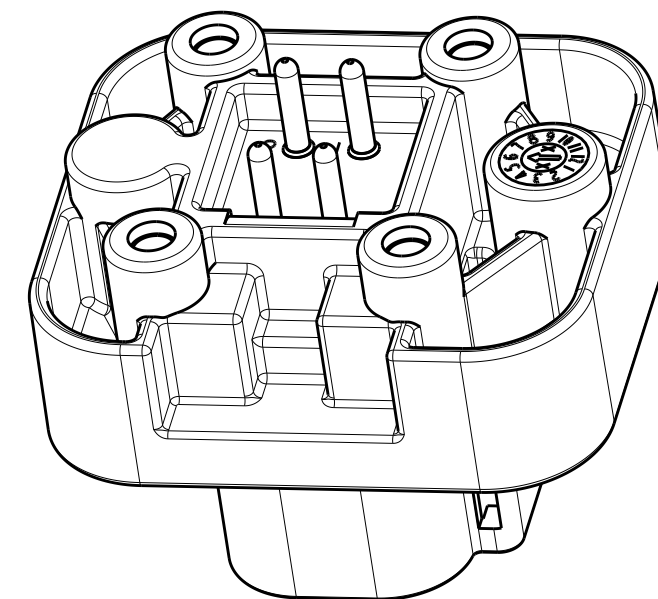
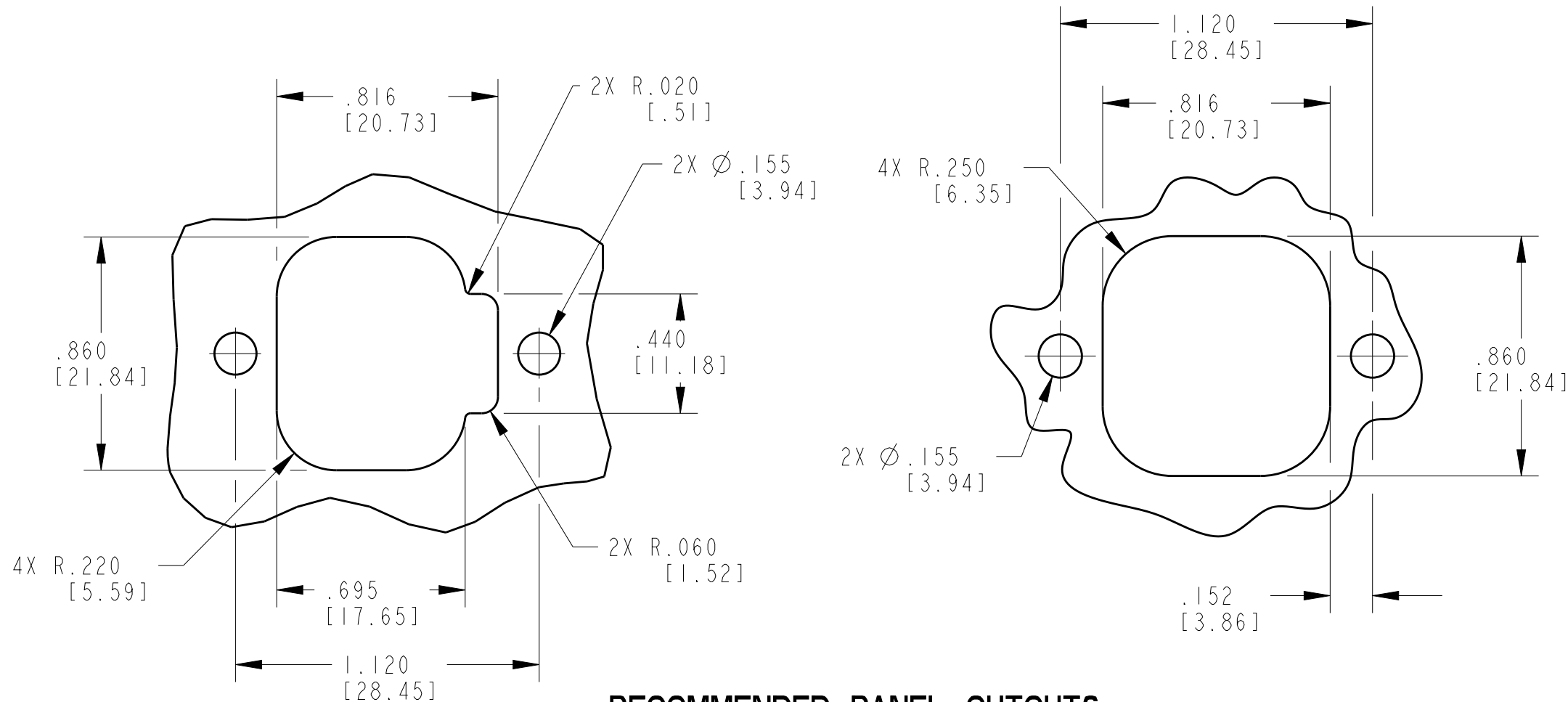
1 DIMENSION TOLERANCE:  $\pm .025$  [.64]  
 PANEL CUTOUT:  $\pm .010$  [.25].  
 PIN LOCATIONS:  $\pm .005$  [.13]  
 MOUNTING HOLE LOCATIONS:  $\pm .010$  [.13]

NOTES:

THIS DRAWING IS A CONTROLLED DOCUMENT.		DWN P. BURKE 20DEC2001	TE Connectivity	
DIMENSIONS: INCHES [mm]		CHK KEVIN MCKEE 03JUL2014		
TOLERANCES UNLESS OTHERWISE SPECIFIED:		APVD DAVID MEYER 03JUL2014	NAME RECEPTACLE HEADER 4 PIN 180 DEG DT SERIES	
0 PLC ± 1 PLC ± 2 PLC ± 3 PLC ± 4 PLC ± ANGLES ±0°30'0"		PRODUCT SPEC	RESTRICTED TO	
MATERIAL		APPLICATION SPEC	SIZE A3	CAGE CODE 4AFU8
FINISH		WEIGHT 19g ± 10%	DRAWING NO DT15-4P	
2		CUSTOMER DRAWING	SCALE 2:1	SHEET 1 OF 2
			REV D1	

THIS DRAWING IS UNPUBLISHED  
 RELEASED FOR PUBLICATION 2014  
 © COPYRIGHT 2013 BY TE CONNECTIVITY ALL RIGHTS RESERVED.

LOC		DIST		REVISIONS			
P	LTR	DESCRIPTION		DATE	DWN	APVD	
	D1	SEE SHEET 1		03JUL2014	JA	DM	



**RECOMMENDED PANEL CUTOUTS**

THIS DRAWING IS A CONTROLLED DOCUMENT.		DWN P. BURKE 20DEC2001																
DIMENSIONS: INCHES [mm]		CHK KEVIN MCKEE 03JUL2014																
TOLERANCES UNLESS OTHERWISE SPECIFIED:		APVD DAVID MEYER 03JUL2014	NAME RECEPTACLE HEADER 4 PIN 180 DEG DT SERIES															
<table border="0"> <tr> <td>0 PLC</td> <td>±</td> <td rowspan="5"> </td> </tr> <tr> <td>1 PLC</td> <td>±</td> </tr> <tr> <td>2 PLC</td> <td>±</td> </tr> <tr> <td>3 PLC</td> <td>±</td> </tr> <tr> <td>4 PLC</td> <td>±</td> </tr> <tr> <td>ANGLES</td> <td>±0°30'0"</td> <td></td> </tr> </table>		0 PLC	±		1 PLC	±	2 PLC	±	3 PLC	±	4 PLC	±	ANGLES	±0°30'0"		PRODUCT SPEC	RESTRICTED TO	
0 PLC	±																	
1 PLC	±																	
2 PLC	±																	
3 PLC	±																	
4 PLC	±																	
ANGLES	±0°30'0"																	
MATERIAL		FINISH	APPLICATION SPEC	SIZE A3														
			WEIGHT 19g±10%	CAGE CODE 4AFU8														
			CUSTOMER DRAWING	DRAWING NO G=DT15-4P														
				SCALE 2:1														
				SHEET 2 OF 2														
				REV D1														