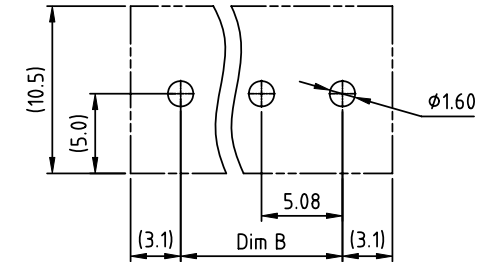
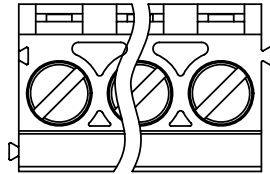
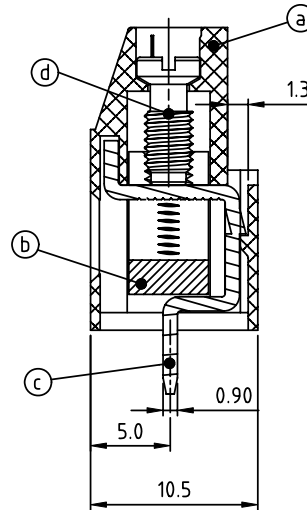
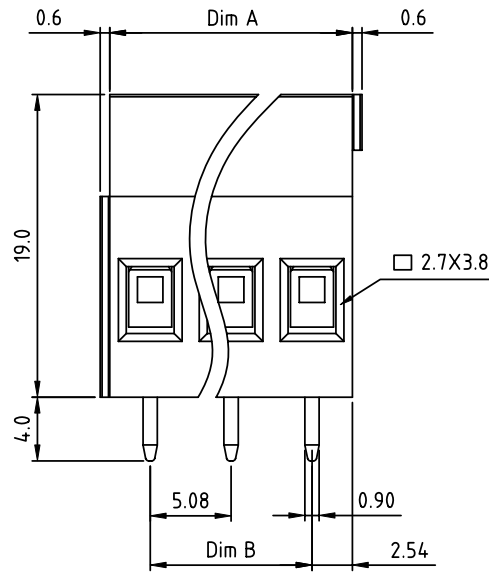


PRODUCT NUMBER	PITCH
VJxx21x200J0G	5.08mm



RECOMMENDED P.C.B LAYOUT
TOP VIEW



Material:

- Item (a) Terminal housing: Thermoplastic (UL 94V-0)
- Item (b) Clamp: Brass Ni plated
- Item (c) Solder pin: Brass Tin plated
- Item (d) Terminal screw: Steel Zinc plating"-slot type

Electrical cULus / VDE

- Voltage rating: 300VAC / 450V
- Current rating: 20A / 24A
- Wire range: 0.2-2.5mm²
- Solid wire(AWG): 12-30
- Stranded wire(AWG): 12-30
- Torque: 3.5Lb-in / 0.5 N.m
- Screw: M3
- Wire strip length: 6-7mm
- Withstanding Voltage: 1.6KV / 2.5KV
- Operating temperature: -40°C to +115°C
- Soldering temperature: 260°C±5°C/5 Sec
- Safety Approval:

PART NO.: VJ xx 2 1 x 2 00J0 G

Dimension A&B

DIM A	N×5.08
DIM B	(N-1)×5.08

N=Number of poles

Poles	DimA&B Tolerance
2P-6P	±0.15
7P-12P	±0.25
13P-18P	±0.35
19P-24P	±0.40

End stackable	No. of poles	Color	RoHS compliant (lead<4%) In copper Alloy
0	2	Black (RAL9005)	
02	2 poles	Red (RAL3001/D)	
03	3 poles	Orange(RAL2011/P)	
...	...	4 Yellow(RAL1018/A)	
...	...	5 Green(RAL6018/T)	
24	24 poles	6 Blue (RAL5015/A)	
		8 Grey(RAL7035/D)	
		9 White(RAL1102)	
		C Green(RAL6018/U)	

mat'l. code		surface ASME Y14.5	tolerance ASME Y14.5	projection	product family
ltr ecn no dr date		tolerances unless otherwise specified			TERMINAL BLOCK
		angles	X.±0.5	MM	title
		fil	X.X±0.3		TERMINAL BLOCK
		X*±1*	X.XX±0.1	scale	↑
		dr	EVIN ZHONG 040914		↑
		enr	EVIN ZHONG 040914		↑
		chr	HANKE FENG 040914		↑
		appd	SHI JUN 040914		↑
sheet index		revision	A	FCI	
sheet		1		type CUSTOMER Drawing	