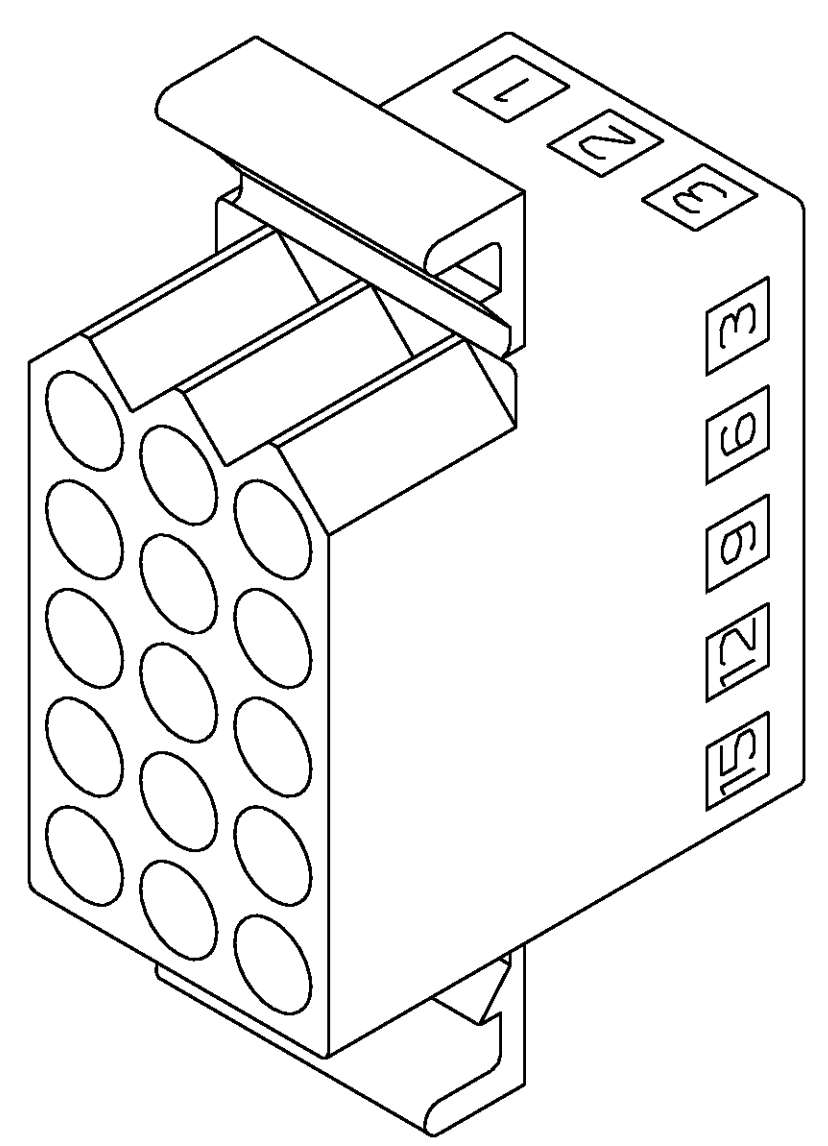
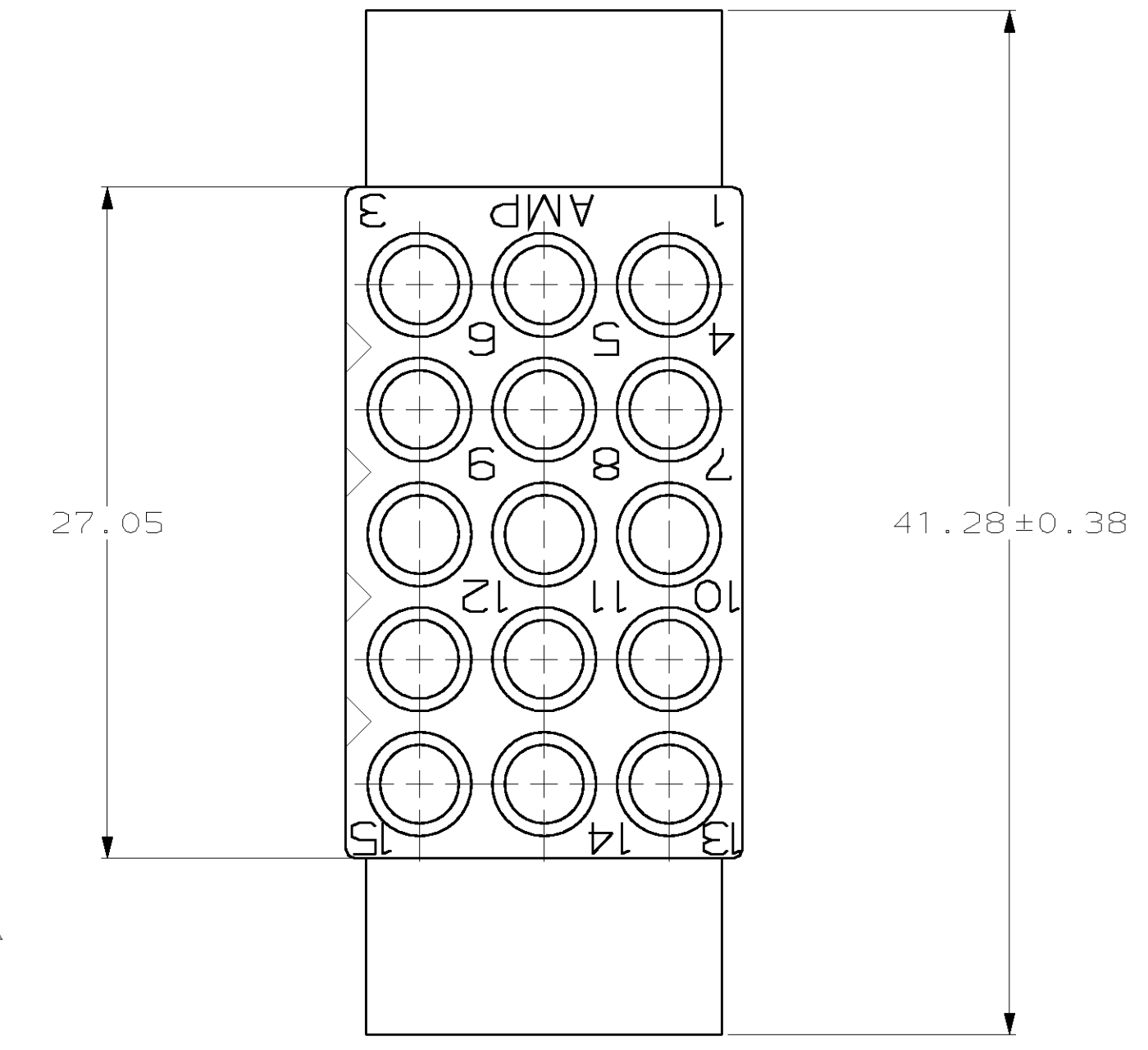
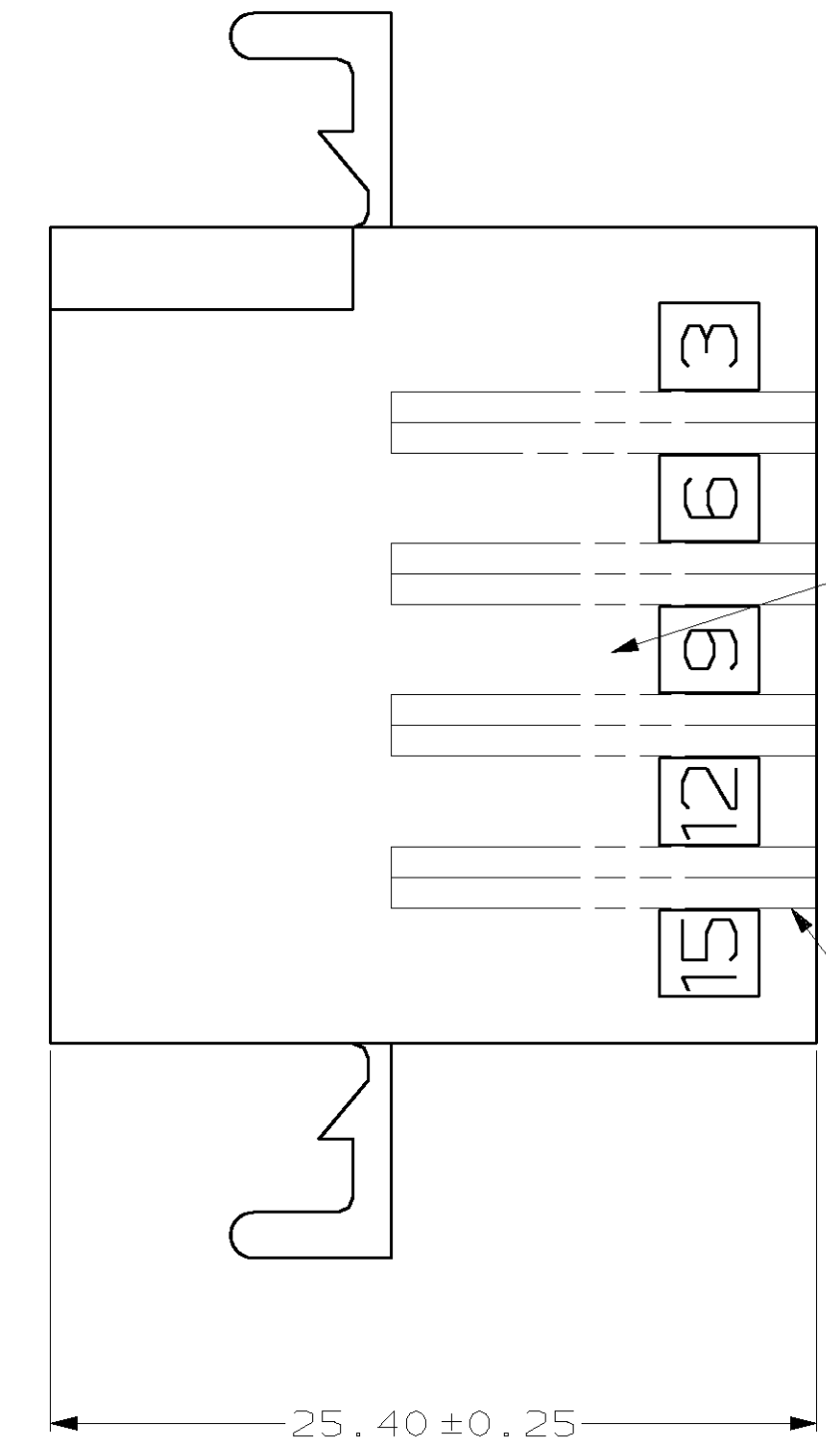
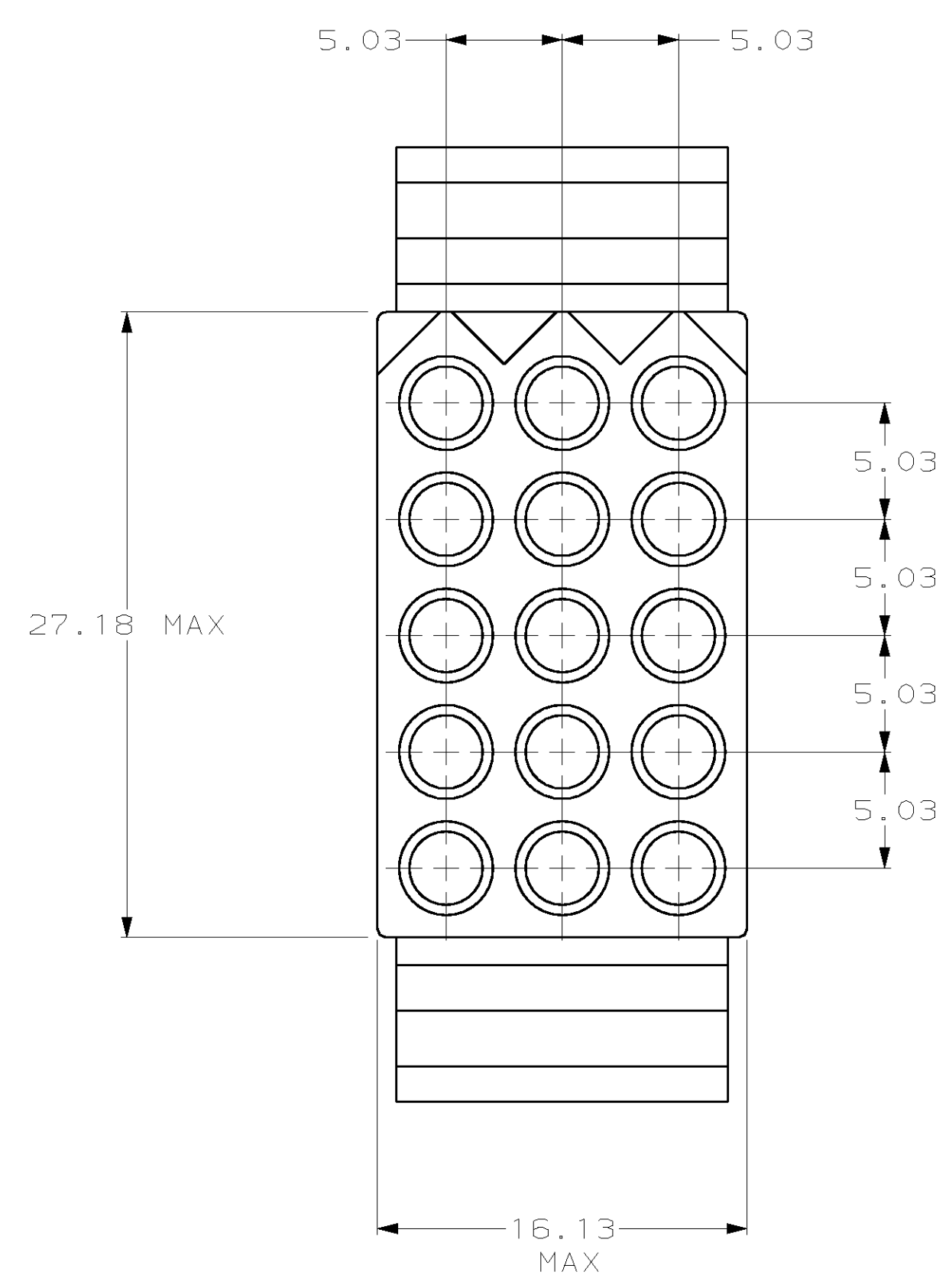
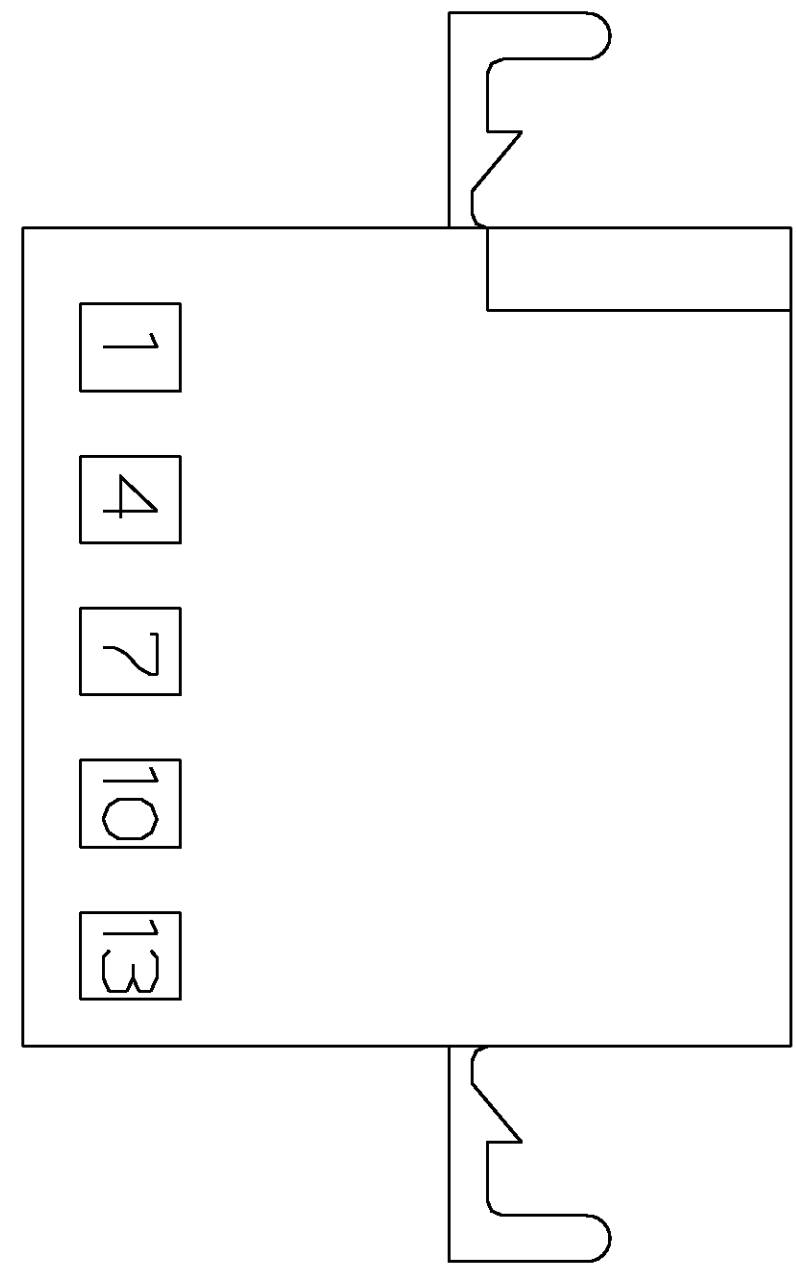
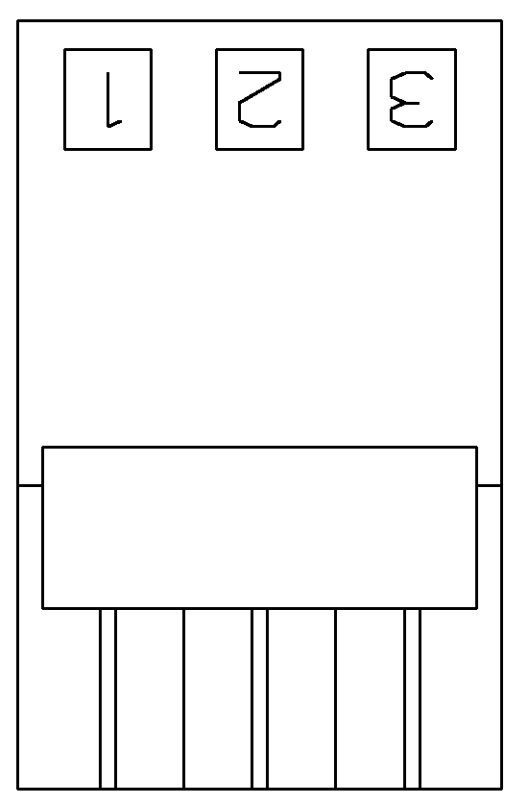
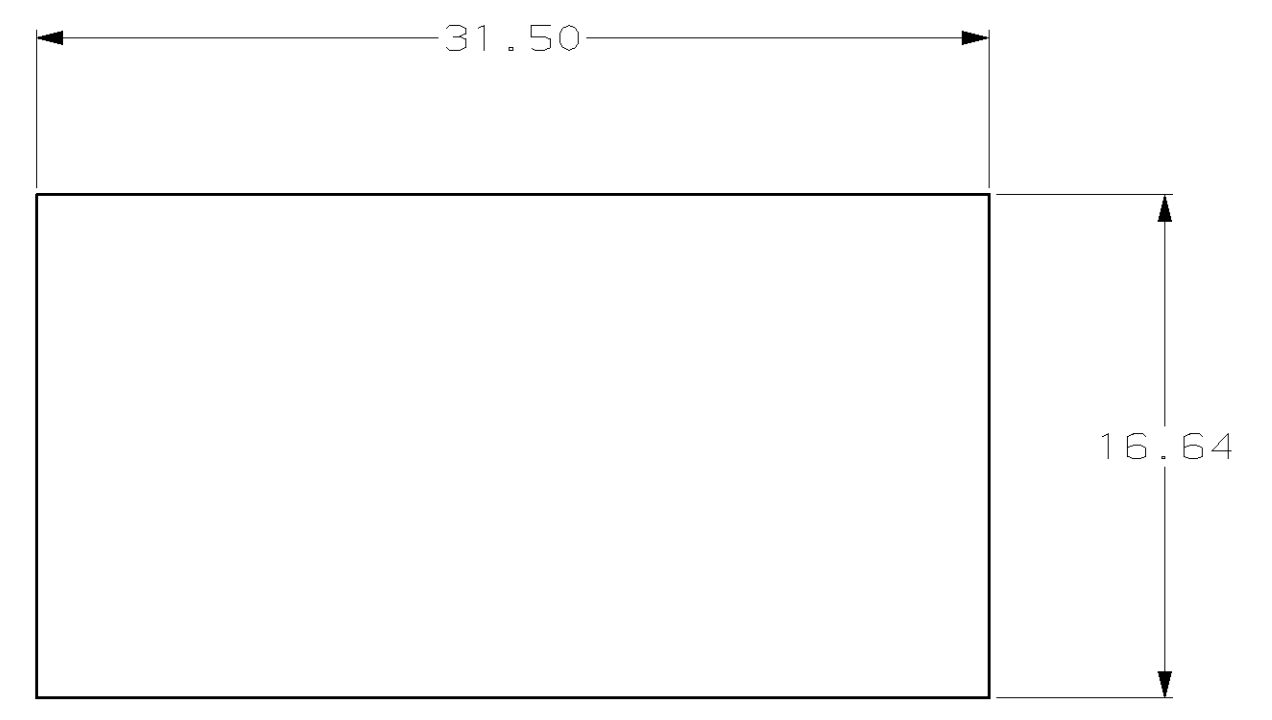
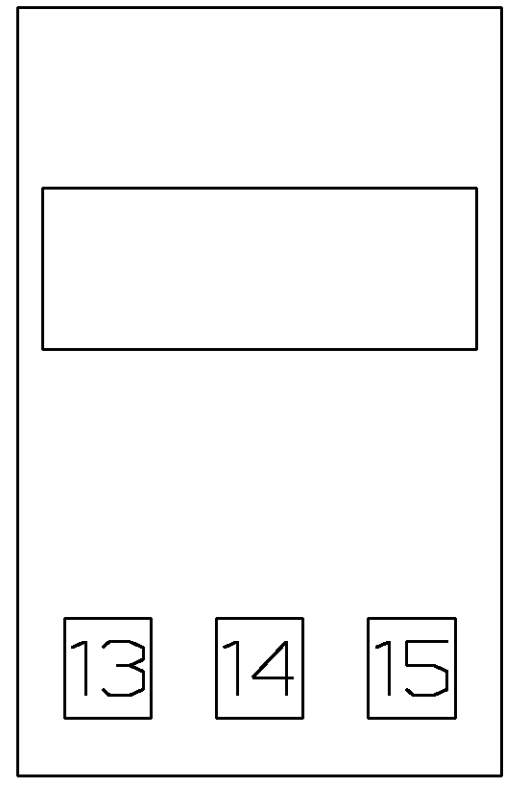


1. RECOMMENDED PANEL THICKNESS 2.29 MAX.
2. OPTIONAL CONSTRUCTION.
3. MARKING FOR UL LOGO AND CSA LOGO LOCATED APPROXIMATELY AS SHOWN.



3-DIMENSIONAL MODEL
NTS



RECOMMENDED PANEL CUT OUT

16.13	.635	-	-
5.03	.198	41.28	1.625
2.36	.093	31.50	1.240
2.29	.090	27.18	1.070
0.38	.015	27.05	1.065
0.25	.010	25.40	1.000
0.13	.005	16.64	.655
MM	IN	MM	IN

CONVERSION TABLE



THIS DRAWING IS A CONTROLLED DOCUMENT.		DWN K. WHITAKER	04-JUN-1999	AMP AMP Incorporated Harrisburg, PA 17105-3608
DIMENSIONS: mm		CHK: J. SCHLUNZ	04-JUN-1999	
TOLERANCES UNLESS OTHERWISE SPECIFIED:		APVD: J. SCHLUNZ	04-JUN-1999	NAME RECEPTACLE, 15 CIRCUIT, .093 COMMERCIAL PIN AND SOCKET
MATERIAL: NYLON, JL 94V-2, NATURAL		FINISH: -	HEIGHT: -	SIZE: A100779 CAGE CODE: 770103 DRAWING NO: 770103
CUSTOMER DRAWING		SCALE: 4:1	SHEET: 1 OF 1	REV: G

770103-1
PART NUMBER