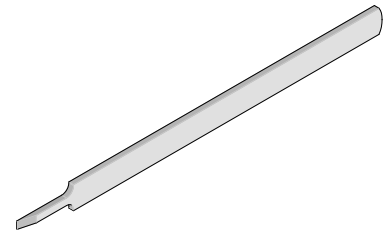




Extractor Tool

**Application Tooling
Specification Sheet**



Order No. 63813-2700

FEATURES

- This Extractor Tool is for the removal of Wire-to-Wire and Wire-to-Board terminal series in both plug and receptacles.

SCOPE

Products: See Chart below.

Terminal Series No.	Description	Housing Series	Terminal Order No.		
35053	2.50mm (.098") Pitch Wire-to-Wire Male Terminals	35184	35053-9002		
35465	Earth Terminal for PT Bulb Socket AVSS 0.50-0.85mm ²	35842 and 35843	35465-8000		
35477	Wedge Terminal 14.50mm (0.57") Pitch	68147	35477-9002		
35725	6.35mm (.250") Tab Slip-On Wire-to-Wire Terminal, Female, 12-18 AWG	35546 and 35547	35725-5110	35725-5210	
35745	VersaBlade™.070 Terminal(A-Type) Male, 16-26 AWG	35150and 35151 35180 and 35965	35745-0110 35745-0410	35745-0210	35745-0310
35746	VersaBlade™.070 Terminal (A-Type) Female, 16-26 AWG	35150and 35151 35180 and 35965	35746-0110 35746-0410	35746-0210	35746-0310
35747	VersaBlade™.070 Terminal(B-Type) Male, 16-26 AWG	35150 and 35180 35182 and 35524	35747-0110 35747-0410	35747-0210	35747-0310
35748	VersaBlade™.070 Terminal (B-Type) Female, 16-26 AWG	35150 and 35180 35182 and 35524	35748-0110 35748-0410	35748-0210	35748-0310
35768	2.3mm (.090") Slip-On Receptacle Terminal		35768-0110	35768-0120	
41422	Flat Blade Crimp Terminal, Female, 10-18 AWG		040-02-1601	040-02-1602	41422-5001
43374	3.18mm (.125") Sabre™ Terminal Receptacle Flat Blade System	41644, 41645 42865, 44167 and 44421	43374-0001		
43375		44441	43375-0001	43375-1001	43375-2001
47634	1.00mm (.039") Pitch Crimp Housing for Slimline Serial ATA Power Cable	47634	47634-1000 47634-0009	47634-1001	47634-1002
48105	2.00mm (.079") Pitch, Wire-to-Board Crimp Terminal	48106	48105-0001		
50098	4.0mm (.157") Pitch Board-In Crimp Terminal	51036	50098-8000		
50147	2.50mm (.098") Pitch Splash Proof Crimp Terminal 20-22 AWG	52266	50147-8000	50147-8100	
50148		52213	50148-8000	50148-8100	
50217	2.54mm (.100") Pitch J-SL™ Crimp Terminal	51067	50217-8000 50217-9101	50217-8100	502179001
50351	2.50mm (.098") Pitch Mini-Lock™ Wire-to-Board and Wire-to-Wire Crimp Terminal	51102, 51163, and 51103	50351-8000	50351-5100	
50397	2.50mm (.098") Pitch Crimp Terminal	51111	50397-8000	50397-8100	
50539	3.96mm (.156") Pitch Wire-to-Board Crimp Terminal	51144	50539-8000	50539-8100	50539-9001
50597	3.96mm W/W and W/B, Crimp Terminal	51138, 51142	50597-8000	50597-8100	

Extractor Tool for Crimp Terminals

Terminal Series No.	Description	Housing Series	Terminal Order No.		
50598	3.96mm W/W and W/B Crimp Terminal	51138, 51142	50598-8000	50598-8100	
5194	SPOX™ Crimp Terminal	5195	00870-1030 03900-0022	00870-1031	03900-0021
5225	SPOX™ Crimp Terminal	5195, 5196, 5197, 5198 and 5199	00870-1028	00870-1029	
56086	2.00mm (.079") Pitch Crimp Terminal	51227	56086-8000	56086-8100	
56134	2.00mm (.079") Pitch Crimp Terminal	51242, 51353, and 51382	56134-8000	56134-8100	
56187	3.30mm (.130") Pitch Crimp Terminal	51284 and 51347	56134-9000 56187-8000	56134-9100 56187-8100	
57920	2.29mm (.090") Diameter Pin Cluster Block Connector Terminal	35573, 68422	57920-6002		
57964	1.52mm (.060") OBD-II Male Terminal for AVS (CAVS) 0.3-0.5	68503-1602	57964-9702		
59370	2.00mm (.079") Pitch Crimp Terminal	51216	59370-8000	59370-8100	
501930	1.25mm (.049") Wire-to-Board Dual Plug Crimp Terminals	503110	501930-0100	501930-0200	
502057	1.75mm (.069") Pitch Wire-to-Board Crimp Terminal	502056	501930-1100 502057-1000	501930-1200 502057-1100	
502438	2.00mm (.079") Pitch CLIK-Mate™ Wire-to-Board	502439	502438-0000	502438-0100	
503657	2.00mm (.079") Pitch Wire-to-Board Receptacle Crimp Terminal, 22-26 AWG	503658	503657-1000	503657-1100	
67581	1.27mm (.050") Pitch Serial ATA Crimp Terminal for Power Cable	67582	67581-0000	67581-0001	67581-0002
78172	1.20mm (.047") Wire-to-Board Crimp Terminals	78172	67581-0009 67581-0012 78172-0410	67581-0010 67581-0019 78172-0411	67581-0011
87421	1.50mm (.059") Pico-SPOX™ Crimp Terminal Female, 24-30 AWG	87439	87421-0000	87421-0001	
94518	High Normal Force (HNF) Female Terminals, For 6.3x0.8mm (.248"x.031") Tabs, 18-20 AWG	90522, 90553 94213 and 94535	94518-0100	94518-0101	94518-0120
94529	Fork Type for PCB Edge Mating, Vertical Crimp Terminal 20-22 AWG	94529	94518-0121 94518-0220 94518-0301 94529-1103	94518-0200 94518-0221 94518-0400 94529-1201	94518-0201 94518-0300 94518-0401 94529-1203

OPERATION:

CAUTION: This extractor tool should be used to extract the terminal only. Using it for unintended purposes may cause injury or damage to parts. Be careful not to deform the end of the terminal. Avoid lifting the housing lock too high.

For 35053 48105, 78172, 87421, 94529, and 502057 Terminal Series:

1. Push the terminal forward into the housing before using the Extractor Tool.

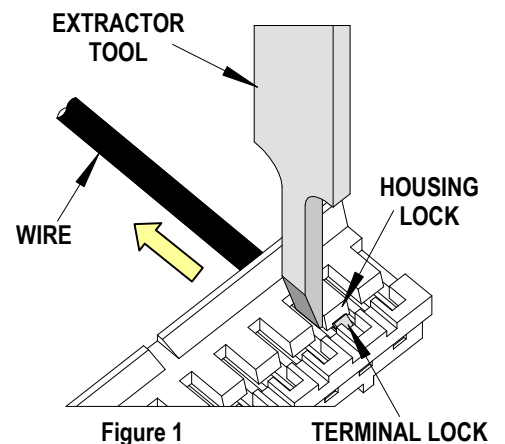


Figure 1

2. Insert the Extractor Tool into the slot on the bottom of the connector housing as shown in Figure 6. Make sure the straight edge of the extractor tool is up against the housing lock.
3. Gently lift up on the housing tab and push the terminal back through the connector slot and pull the terminated wire out in the arrow direction. See Figure 1.

For 35465 Terminal Series

1. Push the terminal and the wire forward in the arrow direction before using this Tool.
2. Insert the Tool into the slot above the locking tang of the terminal.
3. Push the tool down until the locking tang is even with the rest of the terminal. This will free the terminal from the housing.
4. Pull the crimp wire back through the connector slot in the arrow direction as shown in Figure 2.

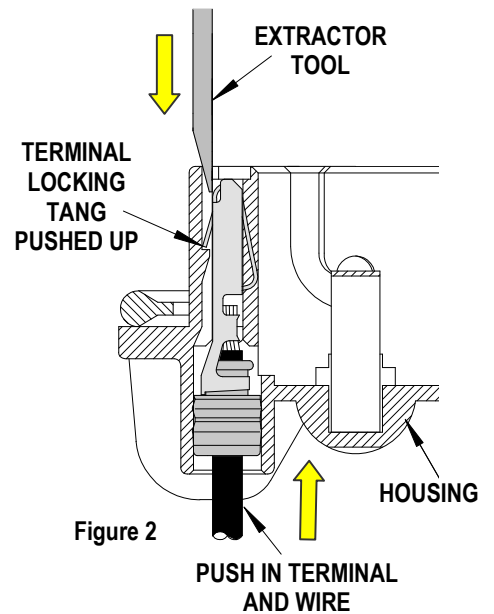


Figure 2

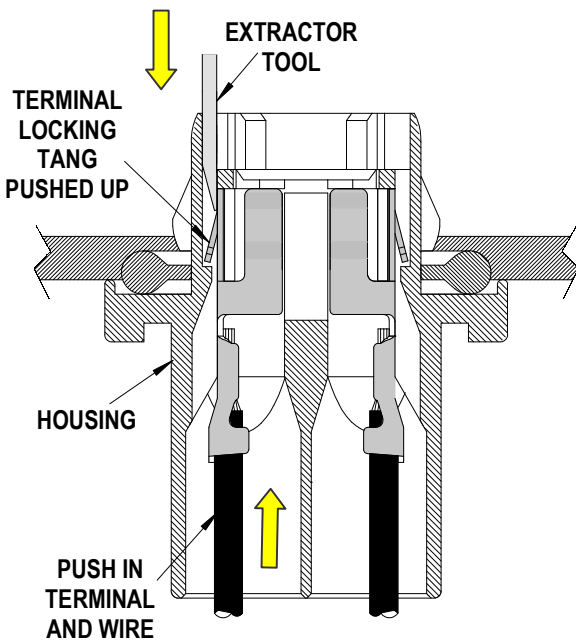


Figure 3

For 35477 Terminal Series:

1. Push the terminal and the wire forward in the arrow direction before using this Tool.
2. Insert the Tool into the slot above the locking tang of the terminal.
3. Push the tool down until the locking tang is even with the rest of the terminal. This will free the terminal from the housing.
4. Pull the crimp wire back through the connector slot in the arrow direction as shown in Figure 3.

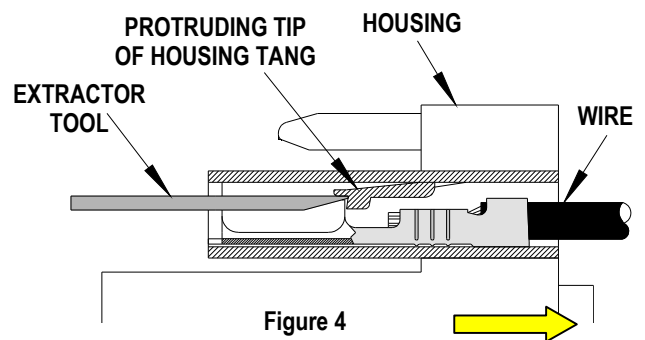


Figure 4

For 35725 Terminal Series:

1. Push the terminal and the wire forward into the housing before using this Tool.
2. Insert the Tool into the area above the terminal contact and below the protruding tip of the terminal locking tang in the housing.
3. Lift the locking tab upward until it is above the contact of the terminal. This will free the terminal from the housing.
4. Pull the crimped wire and terminal back through the connector slot in the arrow direction as shown in Figure 4.

For 35768 Terminal Series:

1. Push the wire and the terminal forward in the arrow direction before using the Extractor Tool.
 2. Insert the Extractor Tool into the slot on the side of the connector housing.
 3. While depressing the housing lock, push the terminal back through the connector slot and pull the terminated wire out in the arrow direction.
- See Figure 5.

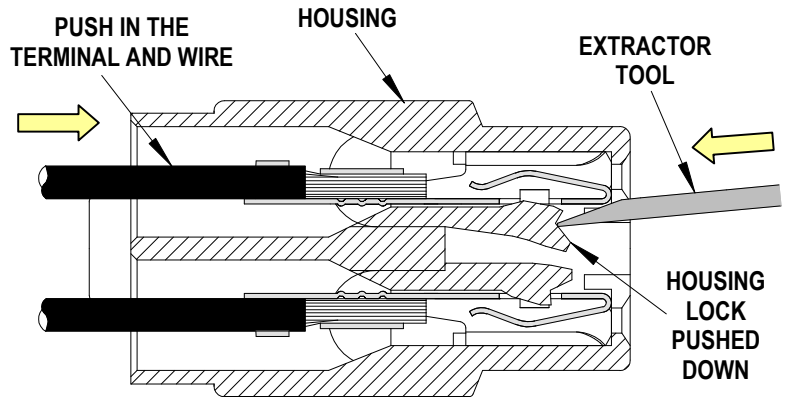


Figure 5

For 41422 Terminal Series:

1. Push the terminal forward in the arrow direction before using the Extractor Tool as shown in Figure 6. Insert the Extractor Tool into the slot on the side of the connector housing.
2. Depress the terminal locking tang and push the terminal back through the connector slot.
3. Pull the terminated wire out.

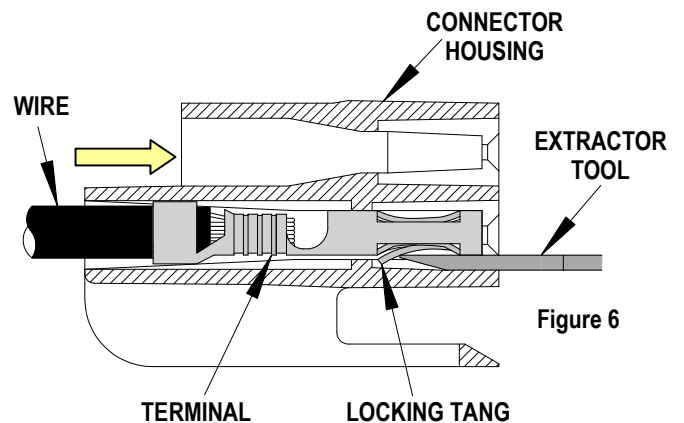


Figure 6

For 43374 and 43375 Terminal Series:

4. Push the terminal forward in the arrow direction before using the Extractor Tool as shown in Figure 7. Insert the Extractor Tool into the slot on the side of the connector housing.
5. Depress the terminal locking tang beams and push the terminal back through the connector slot.
6. Pull the terminated wire out in the arrow direction. See Figure 8.

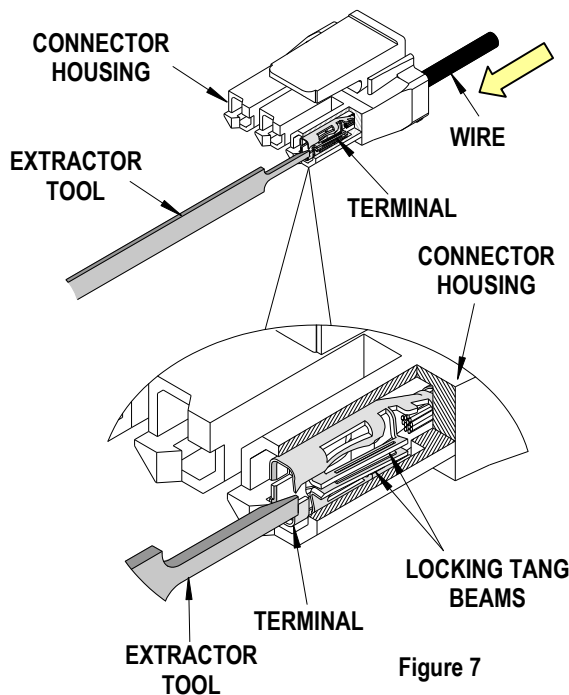


Figure 7

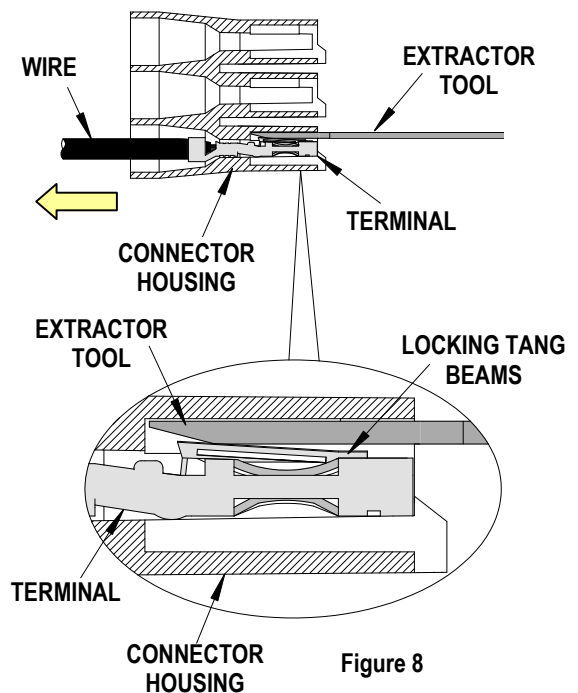
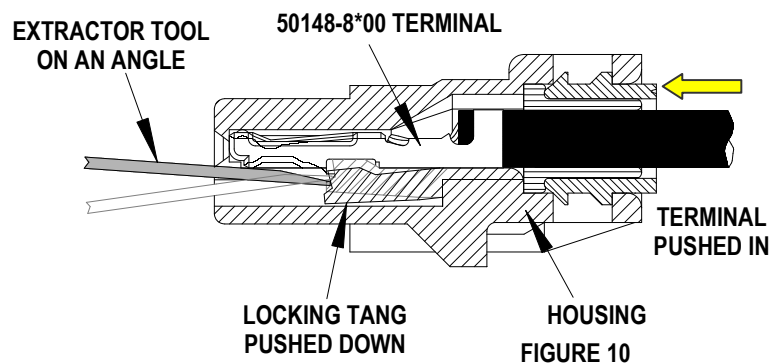
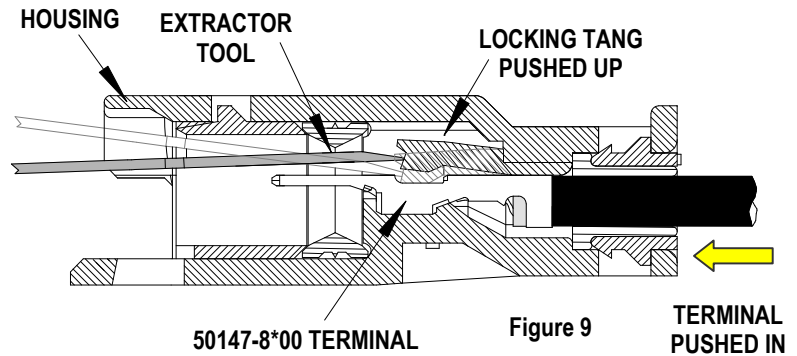


Figure 8

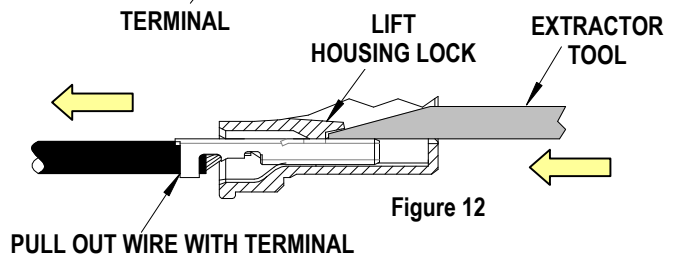
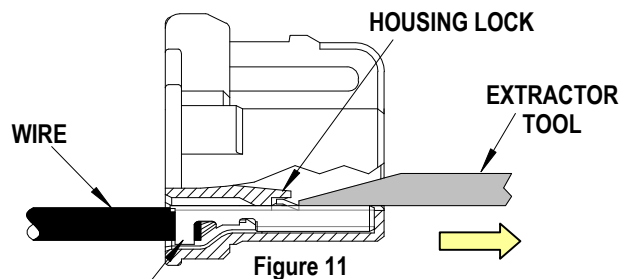
For 35745, 35746, 35747, and 35748 and for 50147 and 50148 Terminal Series:

1. For terminal series 50147, push the terminal forward in the arrow direction before using the Extractor Tool.
2. Insert the tip of the Extractor Tool on an angle into the connector housing. See Figure 9.
3. While pushing the extraction tool against the terminal locking tang, bend the locking tang up and away from the terminal. At the same time a second person pulls on the crimped wire to release the terminal from the housing.
4. For terminal series 50148, push the terminal forward in the arrow direction before using the Extractor Tool.
5. Insert the tip of the Extractor Tool on an angle into the connector housing. See Figure 10.
6. While pushing the extraction tool against the terminal locking tang, bend the locking tang down and away from the terminal. At the same time a second person pulls on the crimped wire to release the terminal from the housing.



For 501930 Terminal Series:

1. Line up the terminal to be removed in the connector assembly with the tip of the Extractor Tool. Insert and slide the Extractor Tool into the slot on the side of the connector housing as shown. Positioning it under the housing lock as shown in Figure 11.
2. Slide the Extractor Tool in the direction shown lifting up the housing lock. While lifting the housing lock, push the terminal back through the connector slot and pull the terminated wire out in the arrow direction. See Figure 12.



For 50539 Terminal Series:

1. Push the terminal forward in the arrow direction before using the Extractor Tool.
2. Insert the Extractor Tool into the slot above the terminal in the connector housing as shown in Figure 13.
3. Gently push the extractor tool till it stops. The housing locking tab should be bent up.
4. Pull the terminal and the terminated wire back through the Connector slot along with the extractor tool in the arrow direction as shown.

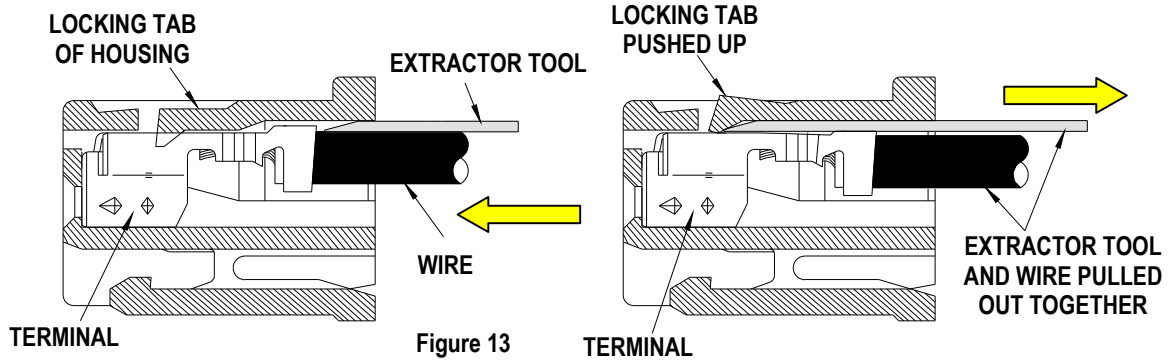


Figure 13

For 5194, 5225, 47634, 50098, 50217, 50351, 50397, 503657, and 67581 Terminal Series:

1. Insert the Extractor Tool into the slot on the bottom of the connector housing.
2. Gently lift up on the housing tab, and push the terminal back through the connector slot. While pulling the terminated wire out in the direction of the arrow. See Figure 14.

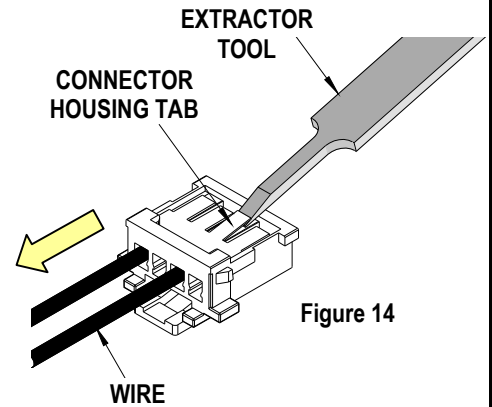


Figure 14

For 56086, 56134, 56187, 57964, and 59370 Terminal Series:

1. Push the terminal forward in the arrow direction before using the Extractor Tool. Insert the Extractor Tool into the slot on the side of the connector housing as shown in Figure 15.

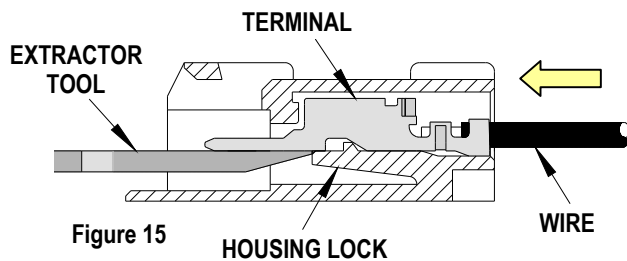


Figure 15

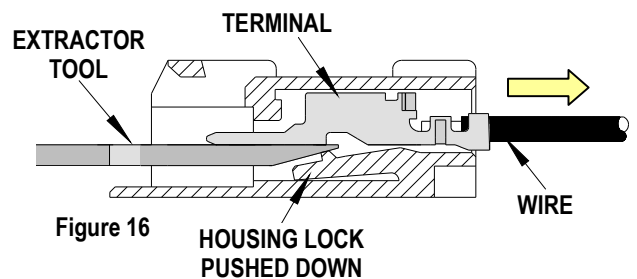


Figure 16

2. While depressing the housing lock, push the terminal back through the connector slot and pull the terminated wire out in the arrow direction. See Figure 16.
3. When using certain housings it may be necessary to insert the Extractor Tool into the slot on the bottom of the connector housing.
4. Gently lift up on the housing tab, and push the terminal back through the connector slot. While pulling the terminated wire out in the direction of the arrow. See Figure 17.

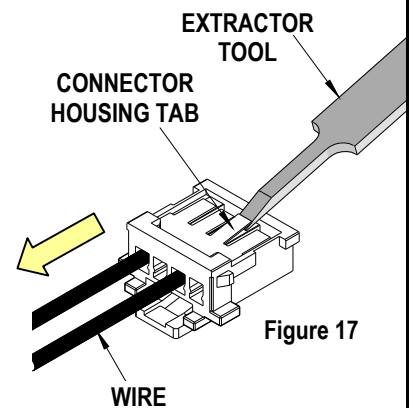


Figure 17

CAUTION: Do not reuse the 51242, 51353, and 51382 housings series once the terminals are extracted.

For 57920 Terminal Series:

1. Push the wire of the crimped terminal to be removed forward into the connector housing before using the Extractor Tool.
2. Starting with one side, insert the Extractor Tool tip in between the terminal nose and the housing cavity wall until the blade comes to a stop.
3. Using a twisting action bend the upper "U" channel towards the middle of the terminal. See Figure 18.
4. Repeat steps 2 and 3 on the other side bending the terminal towards the middle. Make sure both sides of the terminal are bent in far enough to clear the housing stop.
5. Gently pull the wire and terminal back through the housing slot opposite the arrow direction as shown.

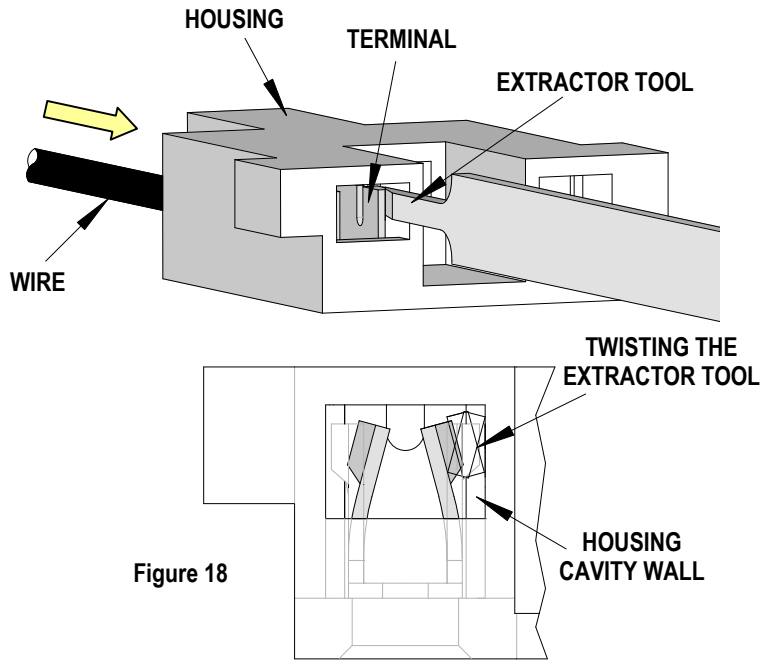


Figure 18

For 94518 Terminal Series:

6. Push the wire of the crimped terminal to be removed forward into the connector housing before using the Extractor Tool.
7. Insert the Extractor Tool into the slot below the terminal, seated in the connector housing and slide it forward until it stops. See Figure 19.
8. Pull the wire and terminal back through the Connector slot in the arrow direction as shown. See Figure 20.

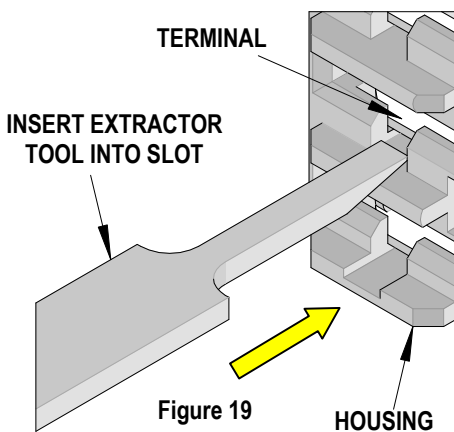


Figure 19

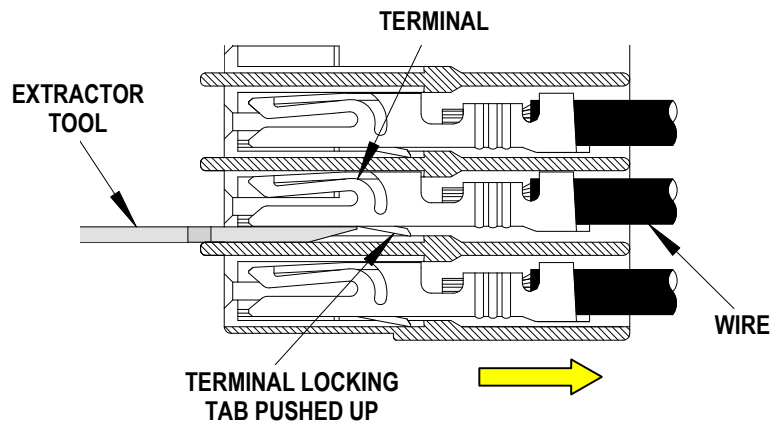


Figure 20

For 502438, 50597, and 50598 Terminal Series:

1. Push the terminal forward in the arrow direction before using the Extractor Tool.
2. Insert the Extractor Tool into the slot above the terminal in the connector housing as shown in Figure 21A and 21B.

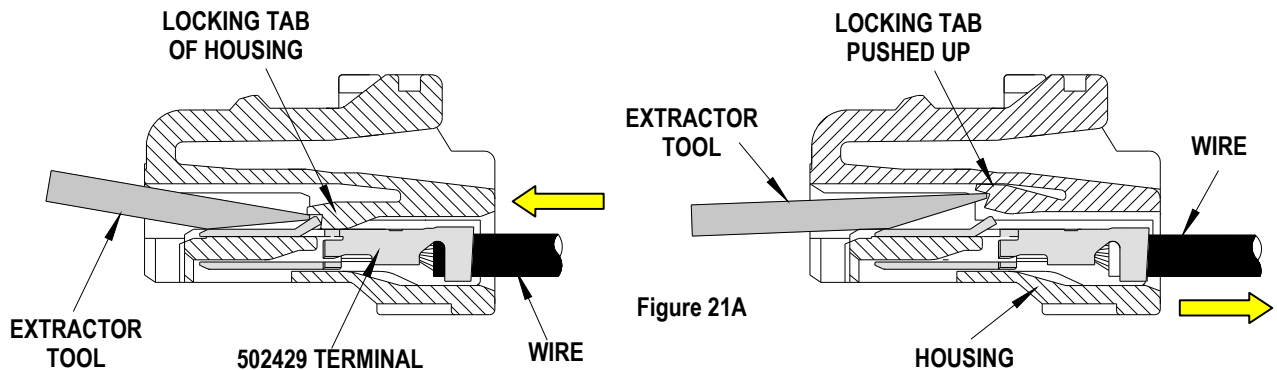


Figure 21A

3. Gently push the Extractor Tool on an angle above the terminal until it stops.
4. Rotate tool counterclockwise approximately 5°-10° to lift housing locking tab.
5. Pull the terminal and the terminated wire back through the Connector slot along with the extractor tool in the arrow direction as shown.

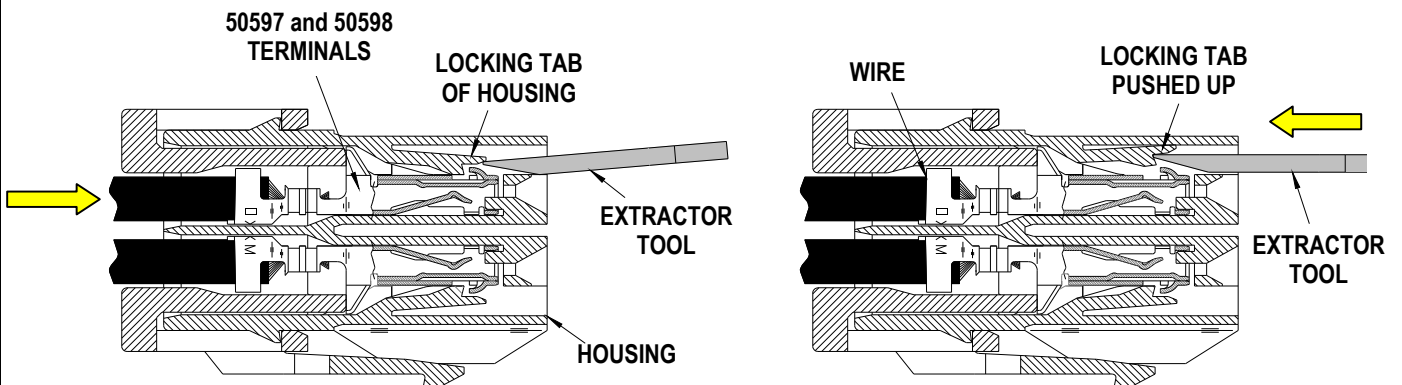


Figure 21B

CAUTION: Molex specifications are valid only when used with Molex terminals, applicators and tooling.

Molex does not offer repair parts for Extraction Tools due to the inexpensive nature of the tool.

<http://www.molex.com>