

NOTES:

1. MATERIAL AND FINISHES:

- RESISTOR - 1W, 50R
- RETAINER RING - SUS 304, NATURAL
- GASKET - SILICONE RUBBER, RED
- BODY - BRASS, WHITE BRONZE PLATING
- CONTACT - BRASS, GOLD PLATING
- SHELL - BRASS, WHITE BRONZE PLATING
- INSULATOR - PTFE, NATURAL

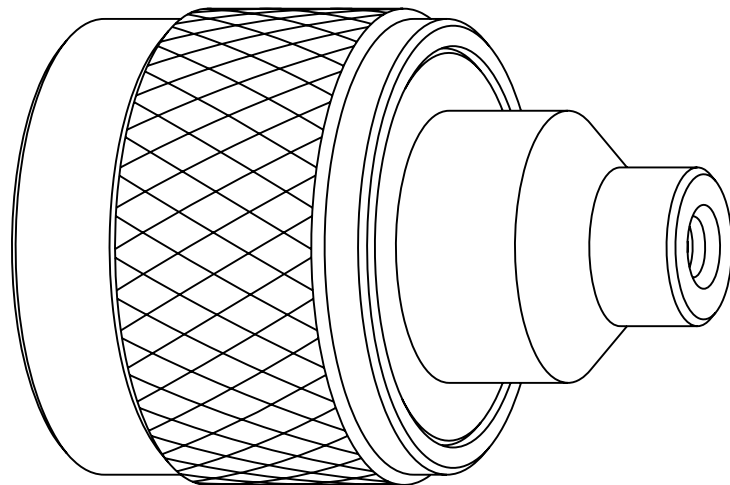
2. ELECTRICAL:

- A. IMPEDANCE: 50 OHM
- B. FREQUENCY RANGE: 0-11 GHz.
- C. RETURN LOSS (VSWR): -30dB (1.065) MAX. @ DC-2.2 GHz
 -20dB (1.222) MAX. @ 2.2-5.5 GHz
 -15dB (1.433) MAX. @ 5.5-11 GHz

3. MECHANICAL:

- A. DURABILITY: 500 CYCLES MIN.
- B. TEMPERATURE RANGE: -65°C TO +165°C

4. THE ASSEMBLY MUST BE 100% TEST ITS RESISTANCE USING THE MICRO-OHM METER, AND THE RESISTANCE MUST BE WITHIN $50 \pm 1.5 \Omega$

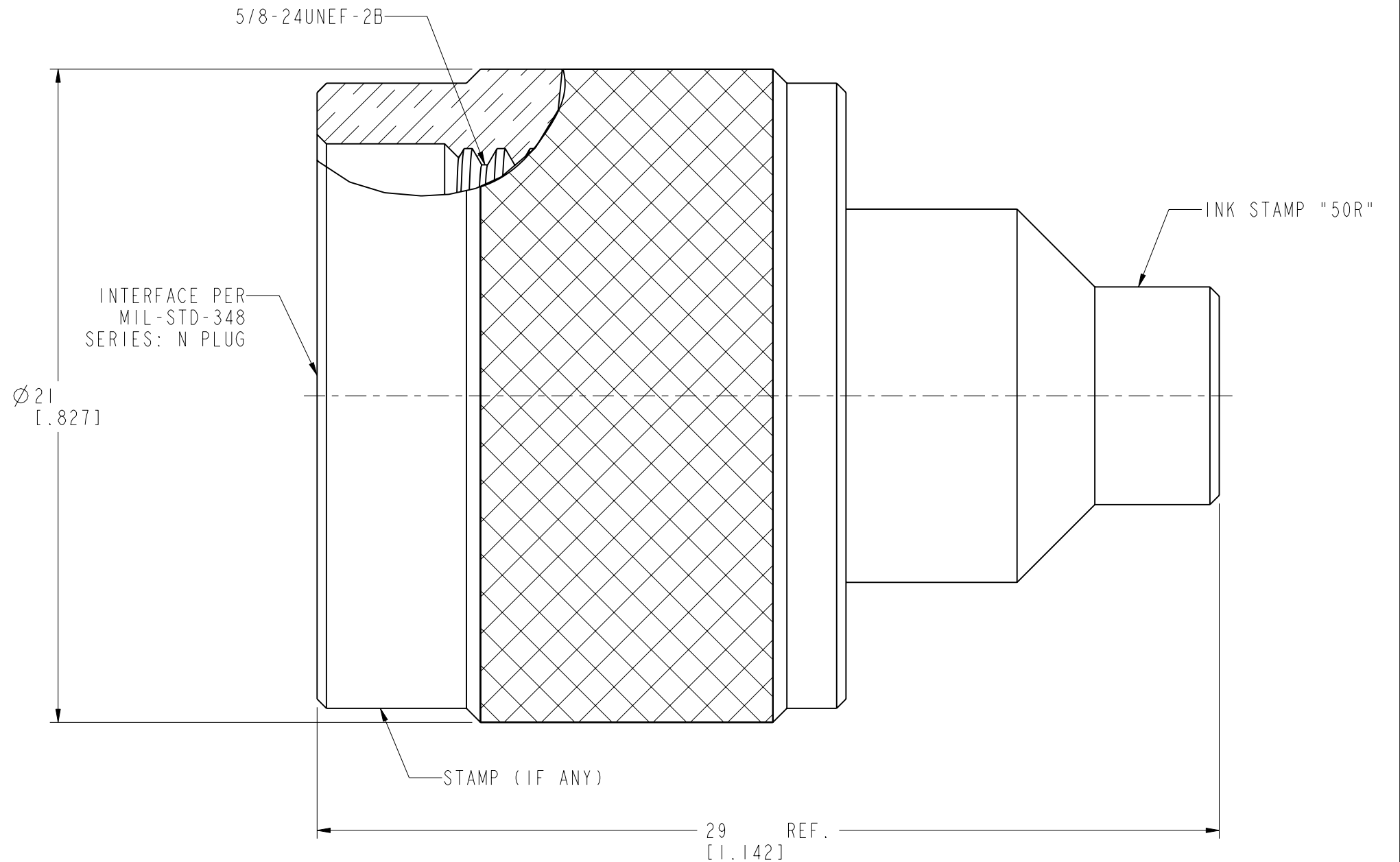


SCALE 3.000

THIRD ANGLE PROJ.

REVISIONS

REV	DESCRIPTION	DATE	ECO	APPR
A	MODIFY RESISTOR TOLERANCE	08-Nov-04	-----	GRS
B	REVISE PART DESCRIPTION	31-Oct-05	-----	GRS
C	REVISE PLATING TO NEXCOTE	29-Jun-06	-----	GRS
D	SYNC, ADD NOTE 4	14-Sep-16	01921	MZ



CUSTOMER OUTLINE DRAWING

ALL OTHER SHEETS ARE FOR INTERNAL USE ONLY

UNLESS OTHERWISE SPECIFIED, DIMENSIONS ARE IN METRIC AND TOLERANCES ARE: <0.5mm ±0.05mm 0.5 - 6mm ±0.1mm 6 - 30mm ±0.2mm 30 - 120mm ±0.3mm ANGLES ±1°	MATERIAL	DRAWN M. ZHANG	DATE 14-Sep-16	TITLE N TERMINATOR PLUG	Amphenol RF www.amphenolrf.com
	REFERENCE AND CONFIGURATION LEVEL: In Work	ENGINEER S. DUAN	DATE 14-Sep-16		
NOTICE - These drawings, specifications, or other data (1) are, and remain the property of Amphenol corp. (2) must be returned upon request; and (3) are confidential and not to be disclosed to any person other than those to whom they are given by Amphenol Corp. the furnishing of these drawings, specifications, or other data by Amphenol Corp., or to any other person to anyone for any purpose is not to be regarded by implication or otherwise in any manner licensing, granting rights to permitting such holder or any other person to manufacture, use or sell any product, process or design, patented or otherwise, that may in any way be related to or disclosed by said drawings, specifications, or other data.	FINISH	APPROVED S. HSIEH	DATE 14-Sep-16	SCALE: 6.0:1.0	SHEET 2 OF 2
			CAD FILE		DWG SIZE B
				DRAWING NO. NI004A2-002-AT5GP-50R-1W	ITEM NO. 031004AAG00CP5F
				PART NO. 202109-10	