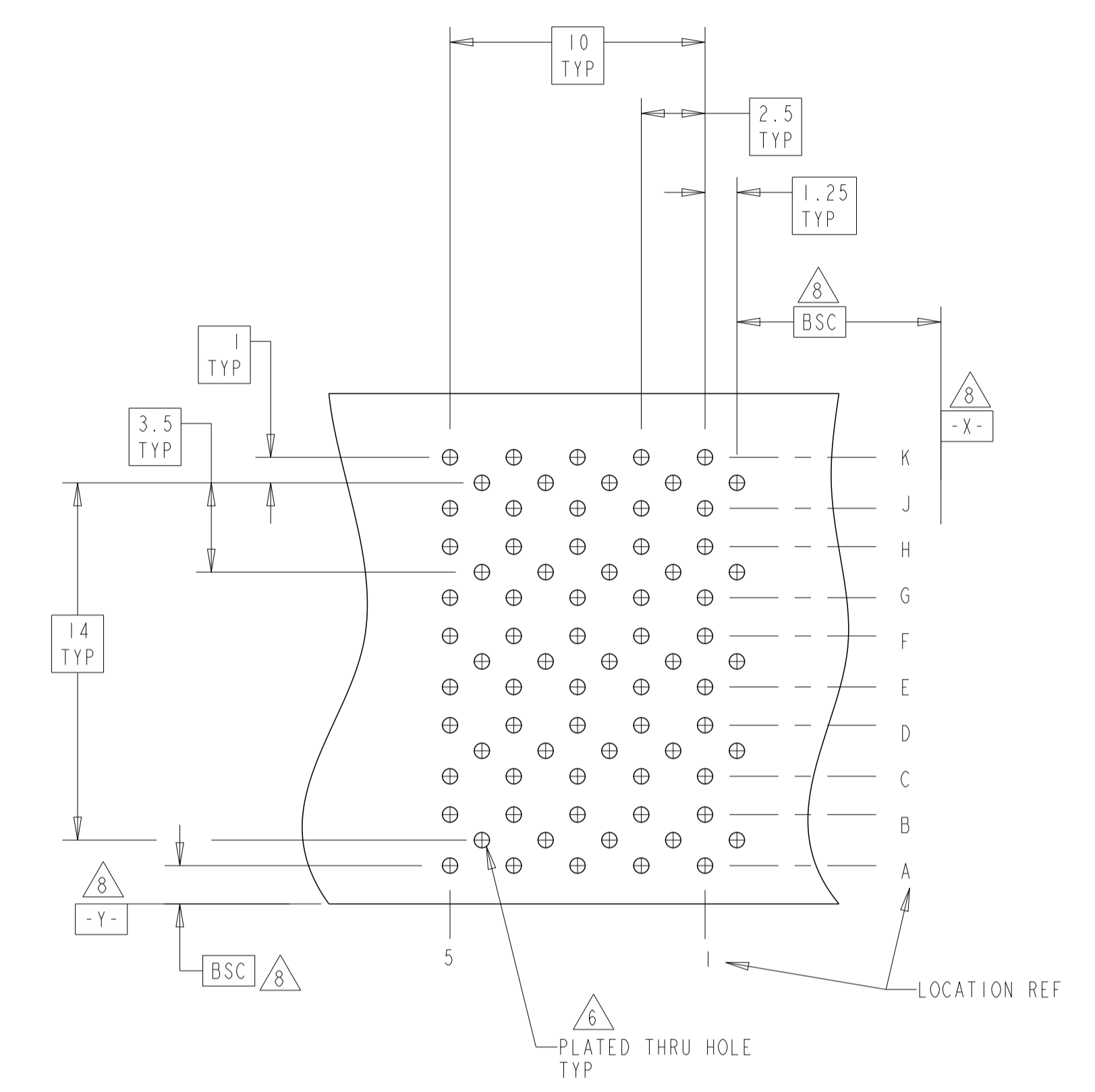
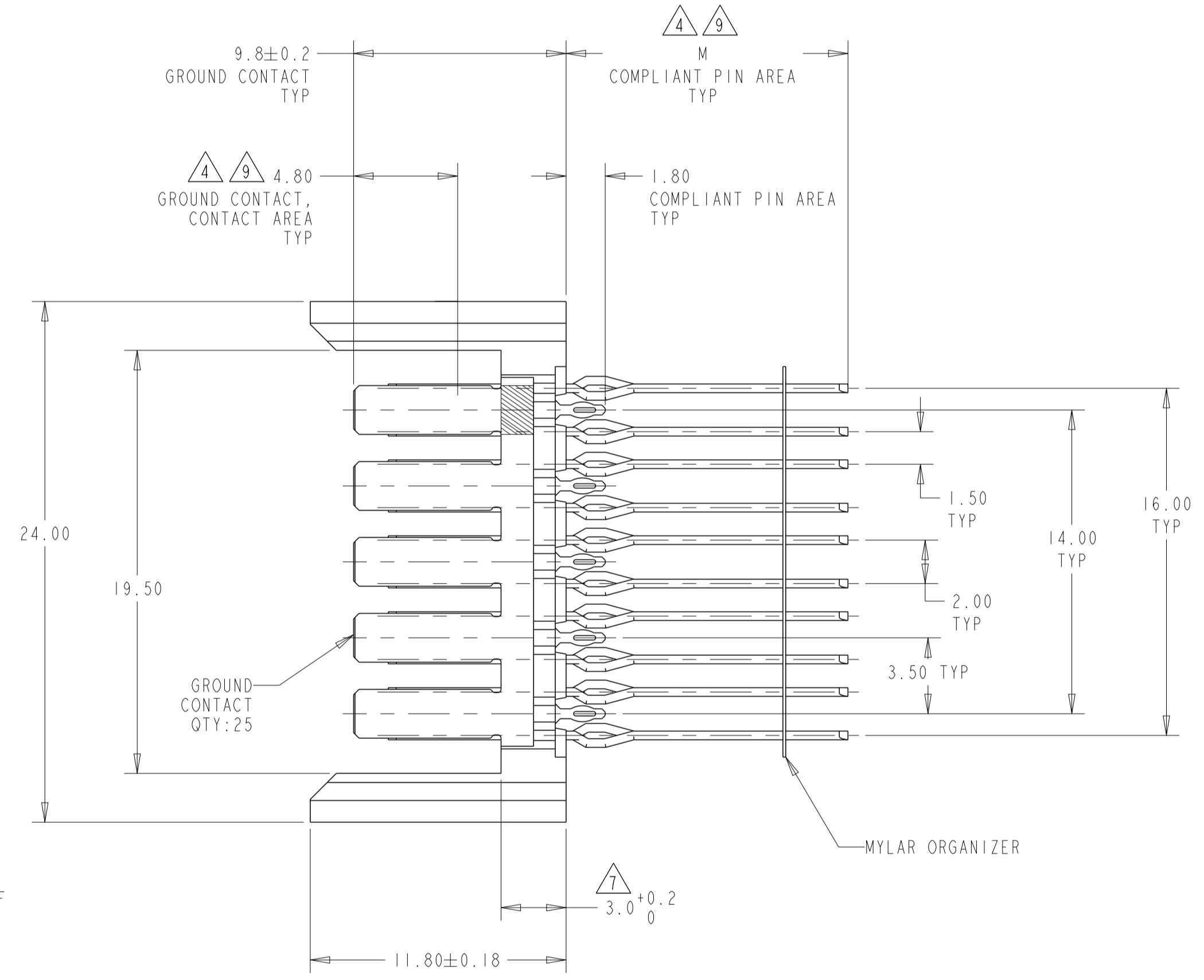
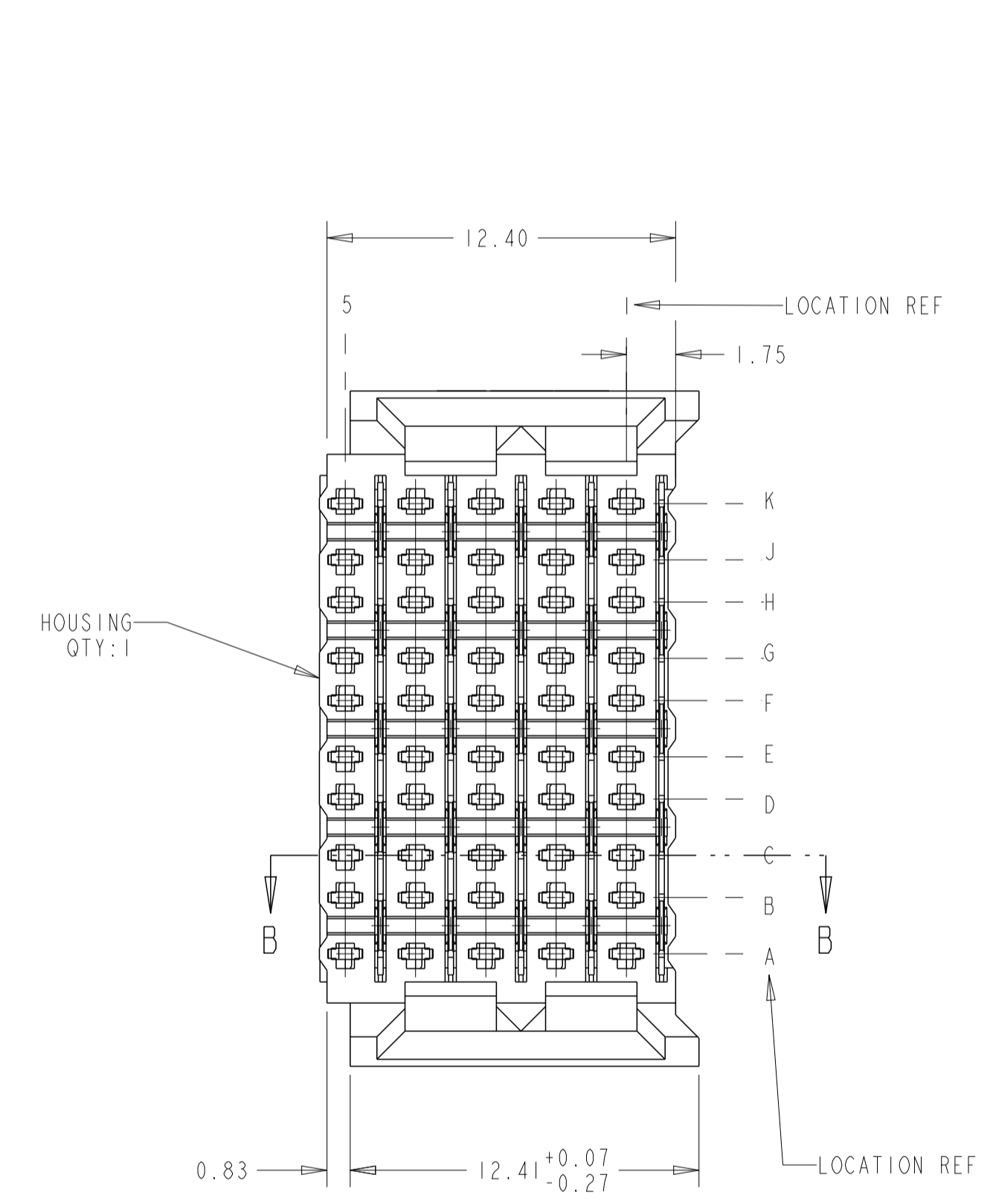
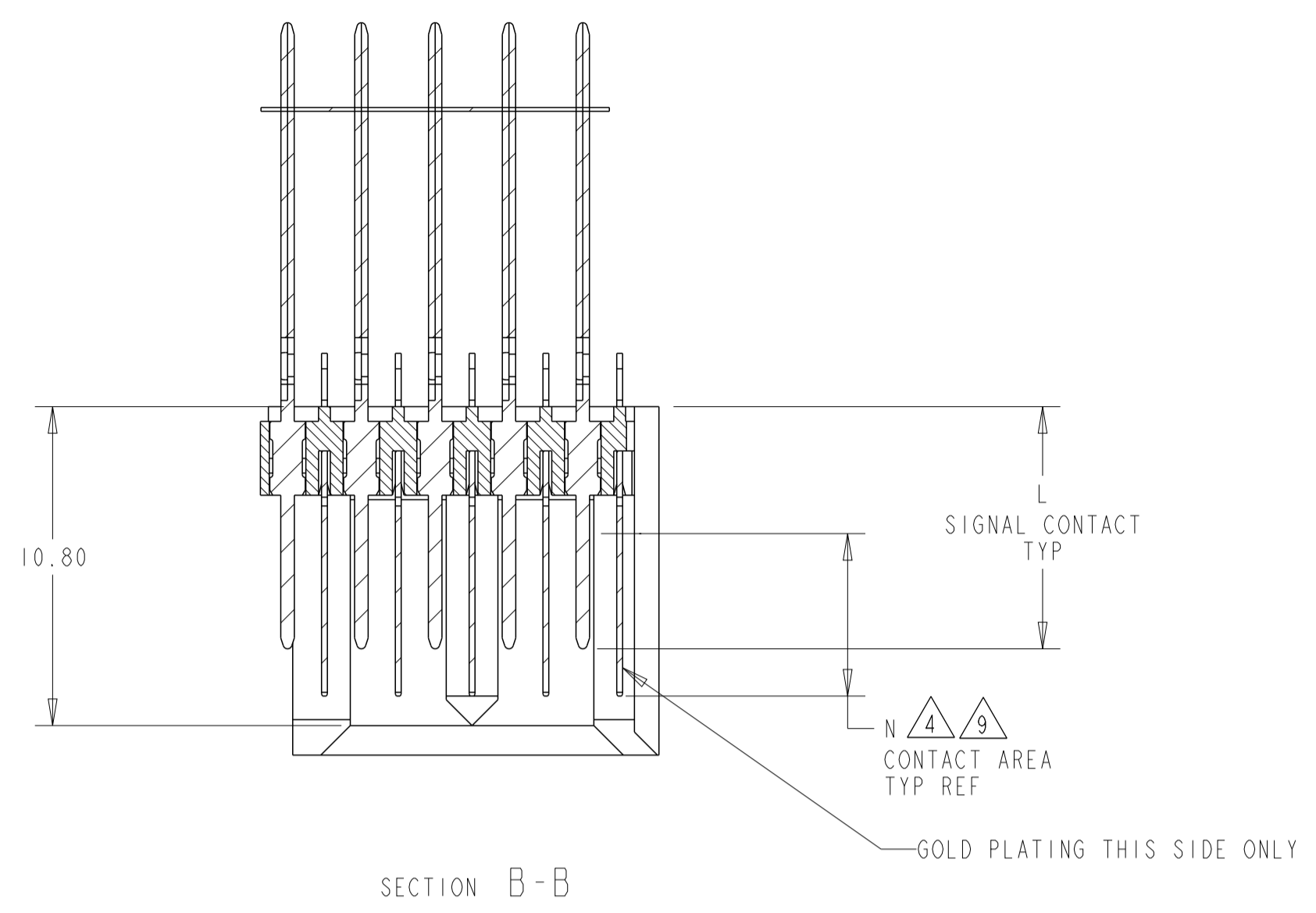
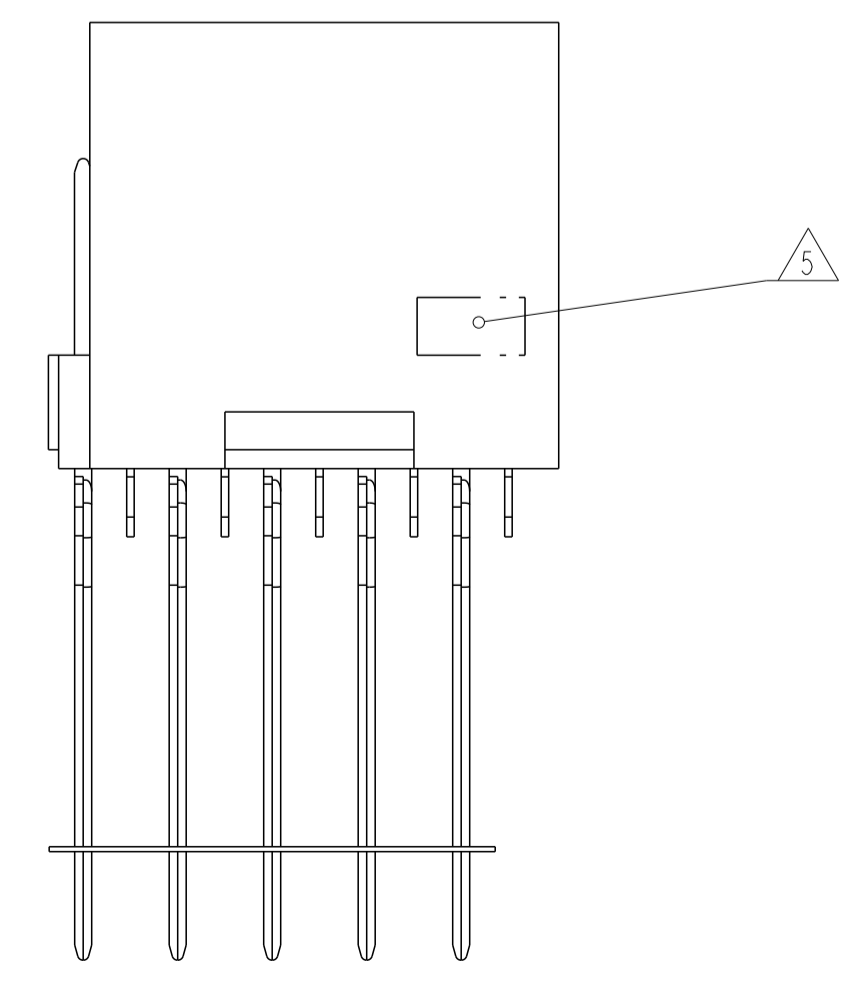


LOC		DIST		REVISIONS			
P	LTN	DESCRIPTION	DATE	DWN	APVD		
B1		REVISED PER ECO-12-016679	22SEP12	KH	JE		

- 2 PHOSPHOR BRONZE
- 3 GLASS FILLED POLYESTER
- 4 FINISH:  
CONTACT MATING AREA MEETS THE PERFORMANCE REQUIREMENTS OF  
TE CONNECTIVITY PRODUCT SPECIFICATION 108-1957; BASED ON  
TELCORDIA GR-1217-CORE; APPLICATIONS IN UNCONTROLLED ENVIRONMENTS.  
COMPLIANT PIN AREA: 0.5µm MIN MATTE TIN OVER BASE PLATING.
- 5 CONNECTOR MARKED WITH PART NUMBER AND DATE CODE
- 6 REFERENCE APPLICATION SPEC 114-13020 FOR  
RECOMMENDED PLATED THRU HOLE DIAMETER AND  
PLATING THICKNESS.
- 7 APPLICATION SEATING HEIGHT TO PRINTED CIRCUIT BOARD
- 8 DATUMS AND BASIC DIMENSIONS ESTABLISHED BY CUSTOMER
- 9 CONTACT AREA LUBRICATED WITH BELLCORE APPROVED LUBRICANT  
TECHNICAL REFERENCE: GR-1217-CORE, ISSUE 1, NOVEMBER 1995



RECOMMENDED  
PRINTED CIRCUIT BOARD  
LAYOUT  
COMPONENT SIDE OF PRINTED CIRCUIT BOARD



5.50	16	8.2	5120899-2
5.50	13.00	8.2	5120899-1
N	M	L	PART NUMBER

THIS DRAWING IS A CONTROLLED DOCUMENT.

DIMENSIONS:	TOLERANCES UNLESS OTHERWISE SPECIFIED:	DWN: B. CARBO 09DEC04	CHK: R. PATTERSON 09DEC04	APVD: R. PATTERSON 09DEC04	NAME: HEADER ASSEMBLY, 50 POSITION, 10 ROW, FEED THROUGH, BACKPLANE CONNECTOR, WITH ORGANIZER, Z-PACK HS3
mm	0 PLC ±	PRODUCT SPEC	APPLICATION SPEC	SIZE: A1	CAGE CODE: 00779
	1 PLC ±	RESTRICTED TO	WEIGHT	SCALE: 5:1	SHEET 1 OF 1
	2 PLC ±0.13				REV: B1
	3 PLC ±0.05				
	4 PLC ±				
	ANGLES				
MATERIAL: HOUSING: 3	FINISH				
CONTACTS: 2	SIGNAL CONTACT: 4				

CUSTOMER DRAWING