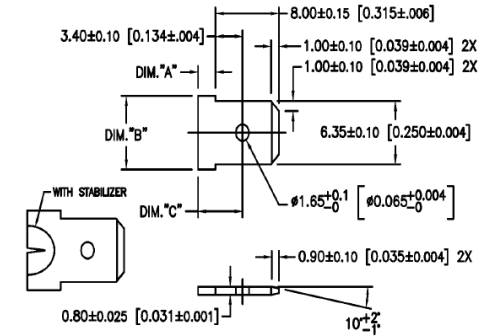


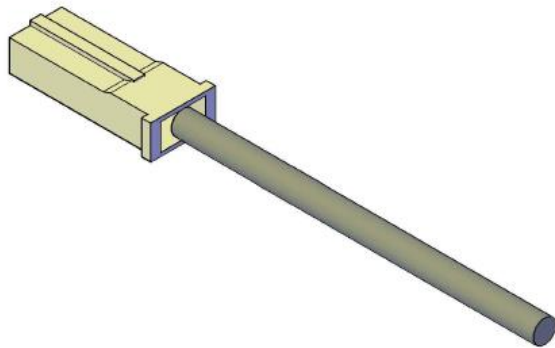
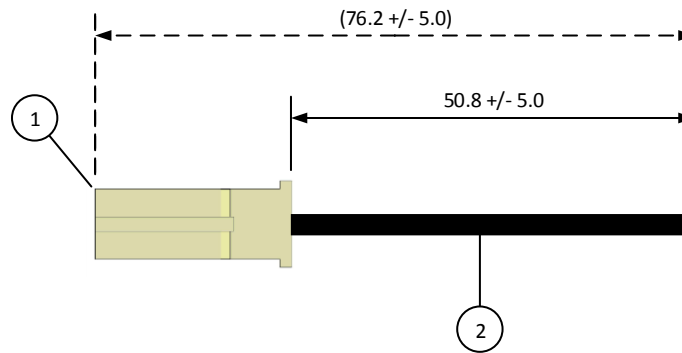
| | 4 | | 3 | 2 | 1 |
|------|--------------------|----------------------------------|-----------|-----------|--------------------|
| ITEM | CONNECTOR PART NO. | DESCRIPTION | IPI CHECK | EOR CHECK | Applicable Tooling |
| 1 | RSFP-LP-1V-R-250 | RSF CONNECTOR WHITE HOUSING, W-W | | | APPLICATOR |
| 2 | SRSF-61-250A | RSF CONTACT - BRASS | | | |
| 3 | UL1015, 16 AWG | BLACK | | | |

SUGGESTED MATING TAB
NO SCALE

| | WITHOUT STABILIZER | WITH STABILIZER |
|----------|--------------------|-------------------------|
| DIM. "A" | 2.20 [0.087] MIN. | 4.20±0.15 [0.165±0.006] |
| DIM. "B" | 7.40 [0.291] MIN. | 7.98 [0.314] MIN. |
| DIM. "C" | 5.90 [0.232] MAX. | (7.6) |



MATING TAB NOTES:
4. MAT'L: BRASS.
FINISH: SUGGESTED NO PLATING.



| | | |
|--|---|-------------------|
| SCALE | CUSTOMER NAME | CUSTOMER PART NO. |
| 1:1 | | |
| DIMENSIONS | DESCRIPTION | |
| All dimensions are in MM with a tolerance of +/- 3.0 unless otherwise specified. | 2" INSIDE LENGTH - 1 POSITION, LIF, POS LOCK, .250, W-W INSULATED P LUG W/BLUNT LEADS, WHITE HSG MATES W/W-W RECP T 01RSFR16K51S | |
| DRAWN BY | ASSEMBLY PART NO. | |
| STEVEN PILKINGTON | A01RSFP16K51S | |
| CHECKED BY | DRAWING NO. & REVISION | REVISED |
| JUSTIN BAKER | GAM-109 | 3/11/2016 |

| REV. | DESCRIPTION | DATE | BY |
|------|-------------|------|----|
| | | | |

4

3

2

1