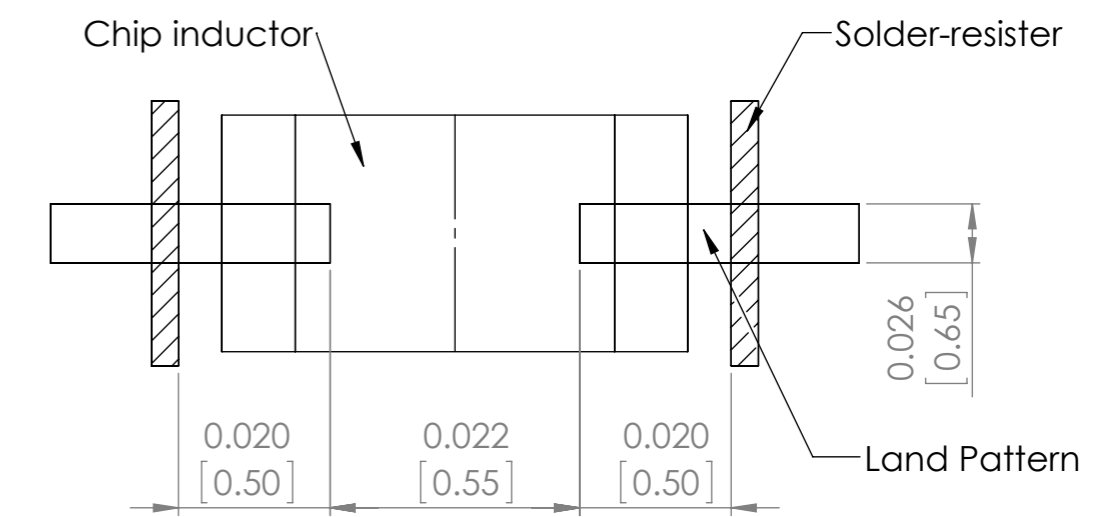
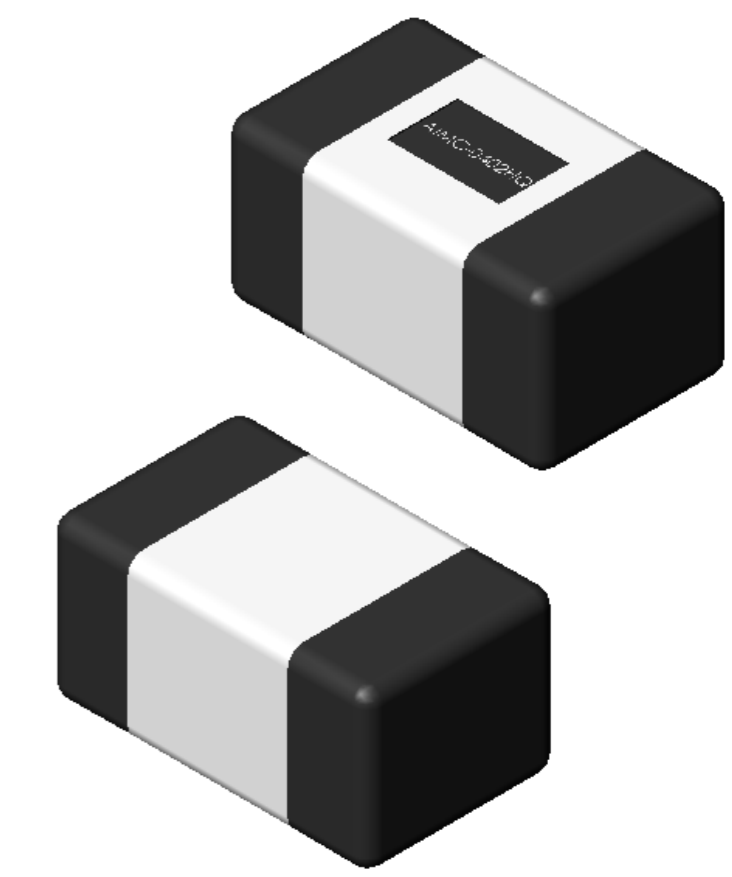


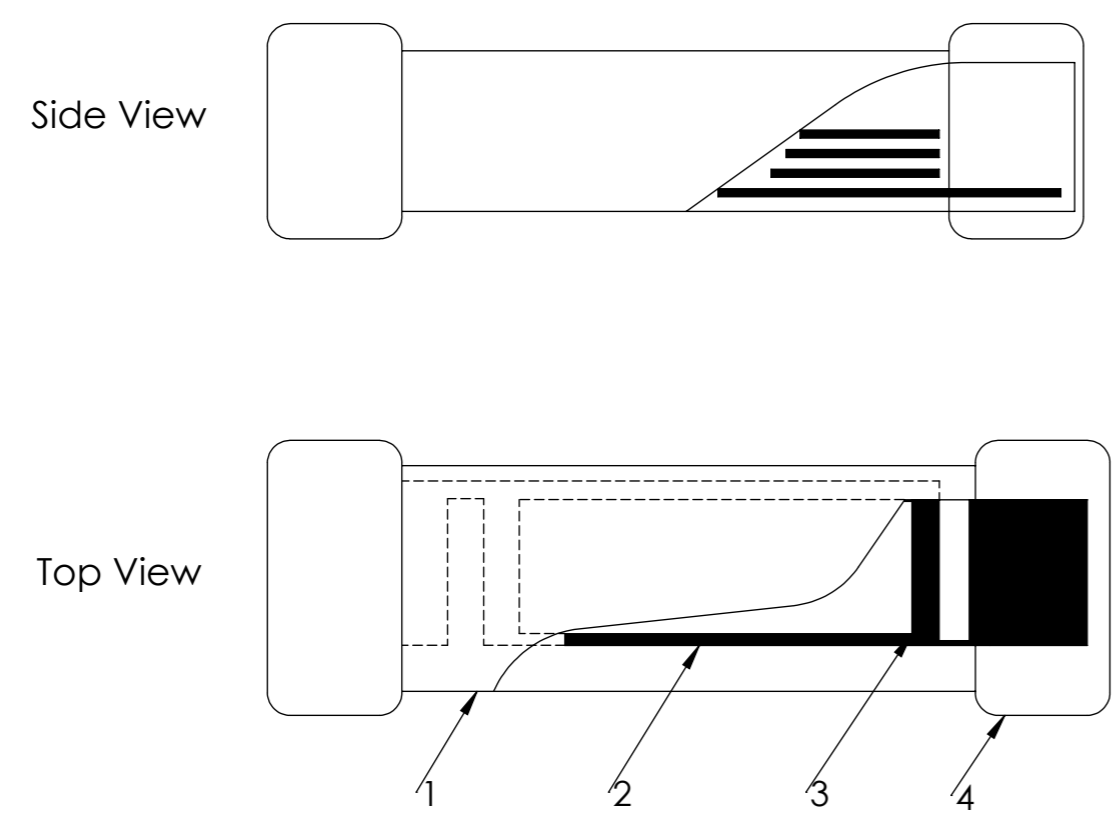
### Recommended Land Pattern



	Part Name	Material
1	Base Material	Ceramic
2	Internal Conductor	Ag
3	Pull out Electrode	Ag
4	Terminal Electrode	Ag (Innerlayer) Ni-Sn (Outerlayer)



### Materials



**TOP PACKAGE MARKING IS FOR ILLUSTRATION PURPOSES ONLY**

UNLESS OTHERWISE SPECIFIED: DIMENSIONS ARE IN INCH(MM) SURFACE FINISH: TOLERANCES: LINEAR: ANGULAR:		FINISH:	DEBUR AND BREAK SHARP EDGES	DO NOT SCALE DRAWING	REVISION -
DRAWN	SAAZVAT	SIGNATURE	DATE	 <b>ABRACON CORPORATION</b> 30332 Esperanza, Rancho Santa margarita, California 92688 TITLE: Ceramic chip inductor DWG NO. AIMC-0402HQ SCALE: 60:1	
CHK'D	XXXXXX				
APPV'D					
MFG					
Q.A					
MATERIAL:			A3		
WEIGHT:			SHEET 1 OF 1		