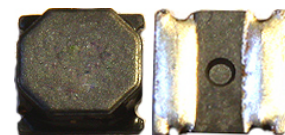


# LOW PROFILE SHIELDED SMD CHIP POWER INDUCTOR



4.0 x 4.0 x 1.0mm

ASPI-0410FS



RoHS/RoHS II Compliant

## FEATURES:

- Small size and low profile: 1.0mm
- Small DCR and high rated current
- High reliability to mechanical stress
- Magnetically shielded by magnetic powder molding
- Suitable for RoHS reflow profile

## APPLICATIONS:

- Mobile phones
- MP3 & 4 and other portable communication equipment
- Digital cameras.

## ELECTRICAL SPECIFICATIONS:

Abrakon P/N:	ASPI-0410FS Series
Operating Temperature & Humidity	-40°C to +85°C (Including self generated heat)
Storage Temperature and Humidity in Tape and Reel	+22°C to +28°C, 80% RH max.

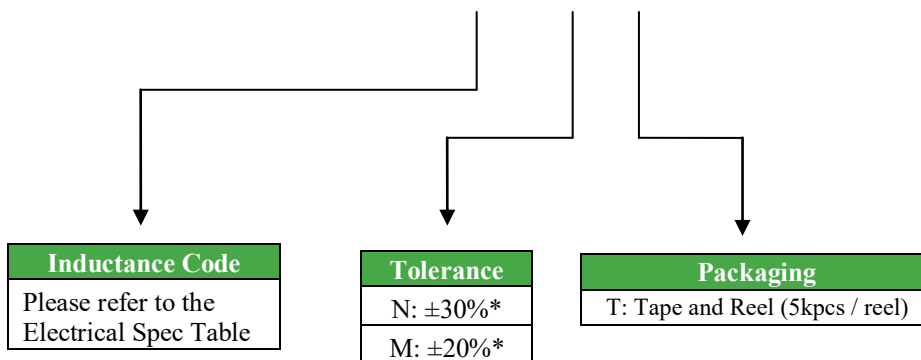
Part Number ASPI-0410FS- Inductance Code	Inductance	Inductance Tolerance	DCR max	Rated DC Current max.
Units	μH	%	mΩ	A
Symbol	L	M	DCR	IDC
ASPI-0410FS-1R0	1.0	N	100	1.80
ASPI-0410FS-2R2	2.2	N	150	1.15
ASPI-0410FS-3R3	3.3	M	180	1.10
ASPI-0410FS-4R7	4.7	M	210	0.90
ASPI-0410FS-6R8	6.8	M	300	0.74
ASPI-0410FS-100	10	M	380	0.56
ASPI-0410FS-150	15	M	510	0.47
ASPI-0410FS-220	22	M	870	0.36
ASPI-0410FS-330	33	M	1540	0.28
ASPI-0410FS-470	47	M	1810	0.24

### Test Conditions and Equipments

1. Rated DC Current: The current when the inductance becomes 30% lower than its initial value.
2. L: HP4284A LCR meter, 100KHz, 0.25Vrms
3. DCR: milli-ohm meter

## PART IDENTIFICATIONS:

ASPI-0410FS- [ ] [ ] - [ ]



\*N for L = 1.0 and 2.2μH

\*M for L = 2.2 ~ 47μH

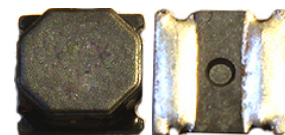
REVISED: 04.30.2018



5101 Hidden Creek Lane Spicewood TX 78669  
 Phone: 512-371-6159 | Fax: 512-351-8858  
 For terms and conditions of sale please visit:  
[www.abracon.com](http://www.abracon.com)

ABRACON IS  
 ISO9001-2008  
 CERTIFIED

# LOW PROFILE SHIELDED SMD CHIP POWER INDUCTOR

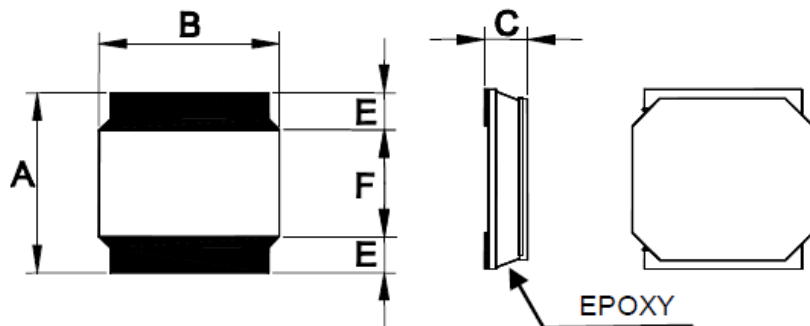


4.0 x 4.0 x 1.0mm

ASPI-0410FS

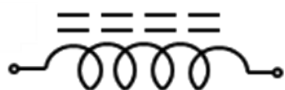
**Pb** | RoHS/RoHS II Compliant

## OUTLINE DIMENSION:



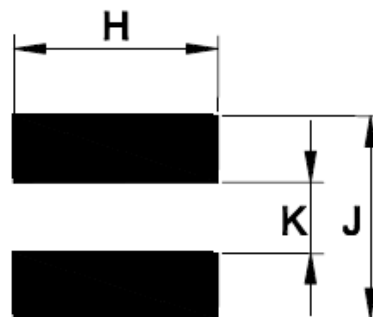
A	B	C max.	E	F
4.0±0.2	4.0±0.2	1.0	1.1±0.2	2.5±0.2

### Circuit Schematic



No Polarity

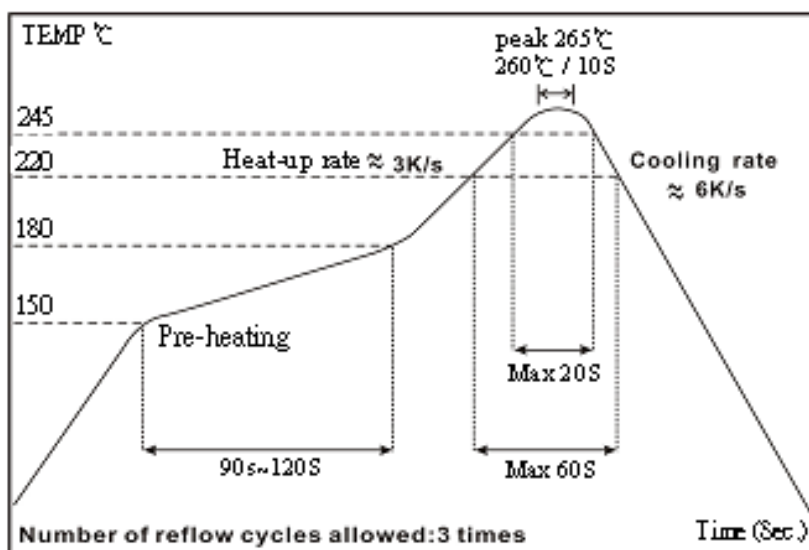
### Recommended Land Pattern



H	J	K
3.7	4.0	1.2

Dimension: mm

## REFLOW PROFILE:

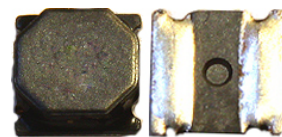


REVISED: 04.30.2018

# LOW PROFILE SHIELDED SMD CHIP POWER INDUCTOR

ASPI-0410FS

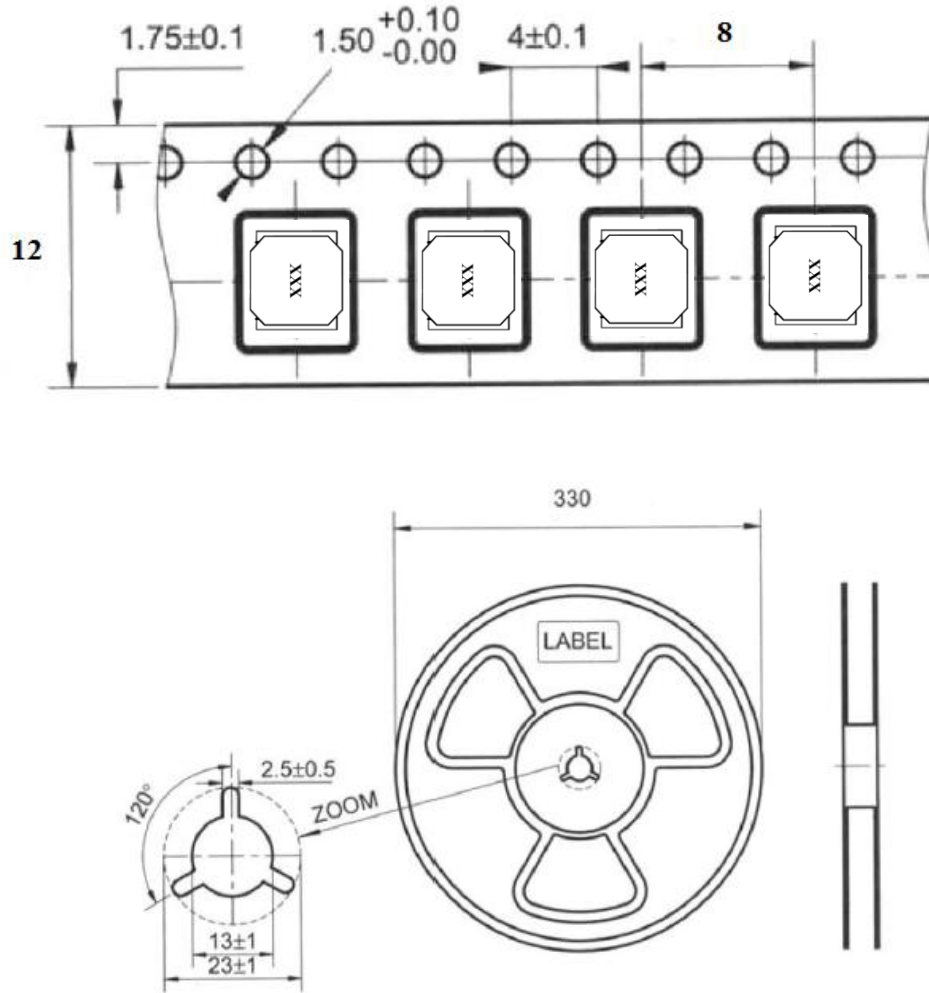
Pb | RoHS/RoHS II Compliant



4.0 x 4.0 x 1.0mm

## TAPE & REEL:

T35: 3,500pcs / reel



### Storage Conditions

Product should be used within six months from the time of delivery.

Dimension: mm