

MATERIALS AND FINISHES

BODY ZINC ALLOY  
PLATED SEE TABLE

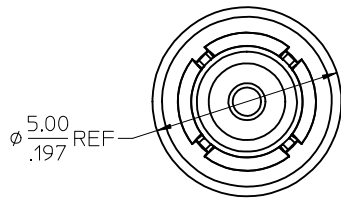
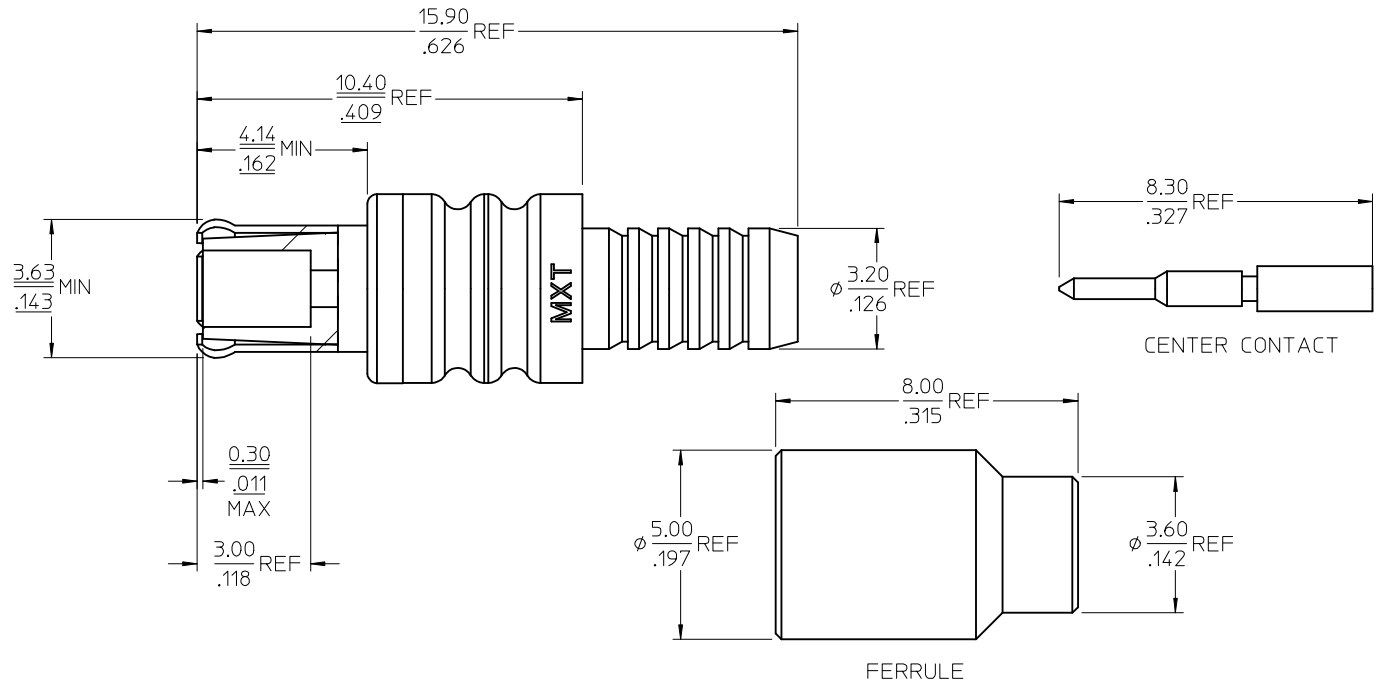
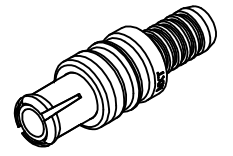
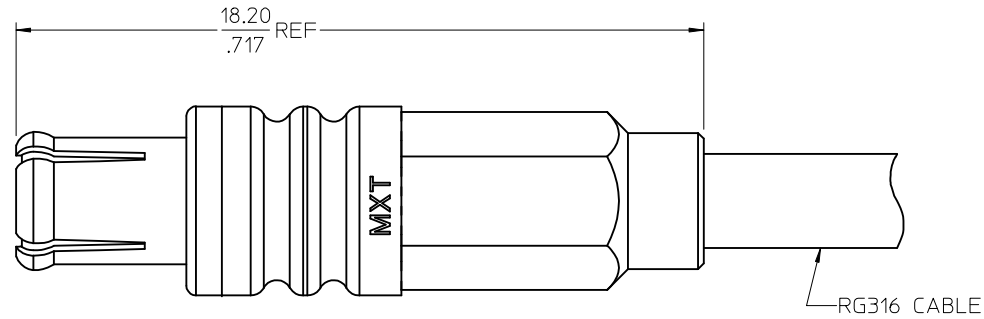
OUTER CONTACT BERYLLIUM COPPER  
PLATED GOLD (10 MICROINCHES MIN)

CENTER CONTACT BRASS  
PLATED GOLD (10 MICROINCHES MIN)

INSULATOR TEFLON

FERRULE BRASS  
PLATED SEE TABLE

PART # SEE TABLE



73366-0301	GOLD (1 MICROINCHES MIN)
73366-0300	NICKEL (70 MICROINCHES MIN)
PART NO.	PLATING

AS-73392-0060	CABLE ASSEMBLY INSTR.
SPECIFICATION	DESCRIPTION

UNLESS OTHERWISE SPECIFIED DIMS ARE MILLIMETERS AND ANGLES ARE DEGREES.

- ALL OVER.
- NO CHATTER OR NON-UNIFORM SURFACE FINISH ALLOWED.
- PARTS TO BE FREE OF BURRS & SHARP EDGES 0.13(.005) MAX BREAK.
- EXTERNAL THREADS TO BE ROLLED OR SINGLE POINT.
- DIAMETERS TO BE CONCENTRIC WITHIN 0.08(.003) TIR.

CHG: LOADED INTO WORKMANAGER  
REDREW IN SD  
CHANGED ALL DIMS FROM IN/MM TO MM/IN  
ADDED CABLED AND ISO VIEWS  
ADDED PLATING THICKNESSES  
REMOVED SHEET 2  
ADDED PLATING TABLE  
ADDED AS-73392-0060

REV	DESCRIPTION
A1	EC NO: URF2005-0227 DRWIN:FLAHERT 2004/12/02 CHKD:SSHAH 2004/12/02 APPR:WIENER 2004/12/02

QUALITY SYMBOLS  
 =0  
 =0

GENERAL TOLERANCES (UNLESS SPECIFIED)

	mm	INCH
4 PLACES	± .005	± .0004
3 PLACES	± .003	± .0002
2 PLACES	± .002	± .0001
1 PLACE	± .001	± .00005

ANGULAR ± 2 °

DRAFT WHERE APPLICABLE MUST REMAIN WITHIN DIMENSIONS

DIMENSION STYLE  
MM/IN

DRAWN BY  
CLAIRE

DATE  
2001/04/02

CHECKED BY

DATE

APPROVED BY

DATE

MATERIAL NO.  
SEE TABLE

SIZE  
C

SCALE  
DESIGN UNITS  
METRIC

THIRD ANGLE PROJECTION

TITLE  
MCX PLUG, STR, FOR RG316  
50 OHMS, CRIMP/CRIMP  
EWR-2672 MCX-PC

MOLEX MOLEX INCORPORATED

DOCUMENT NO.  
SD-73366-030

SHEET NO.  
1 OF 1

THIS DRAWING CONTAINS INFORMATION THAT IS PROPRIETARY TO MOLEX INCORPORATED AND SHOULD NOT BE USED WITHOUT WRITTEN PERMISSION