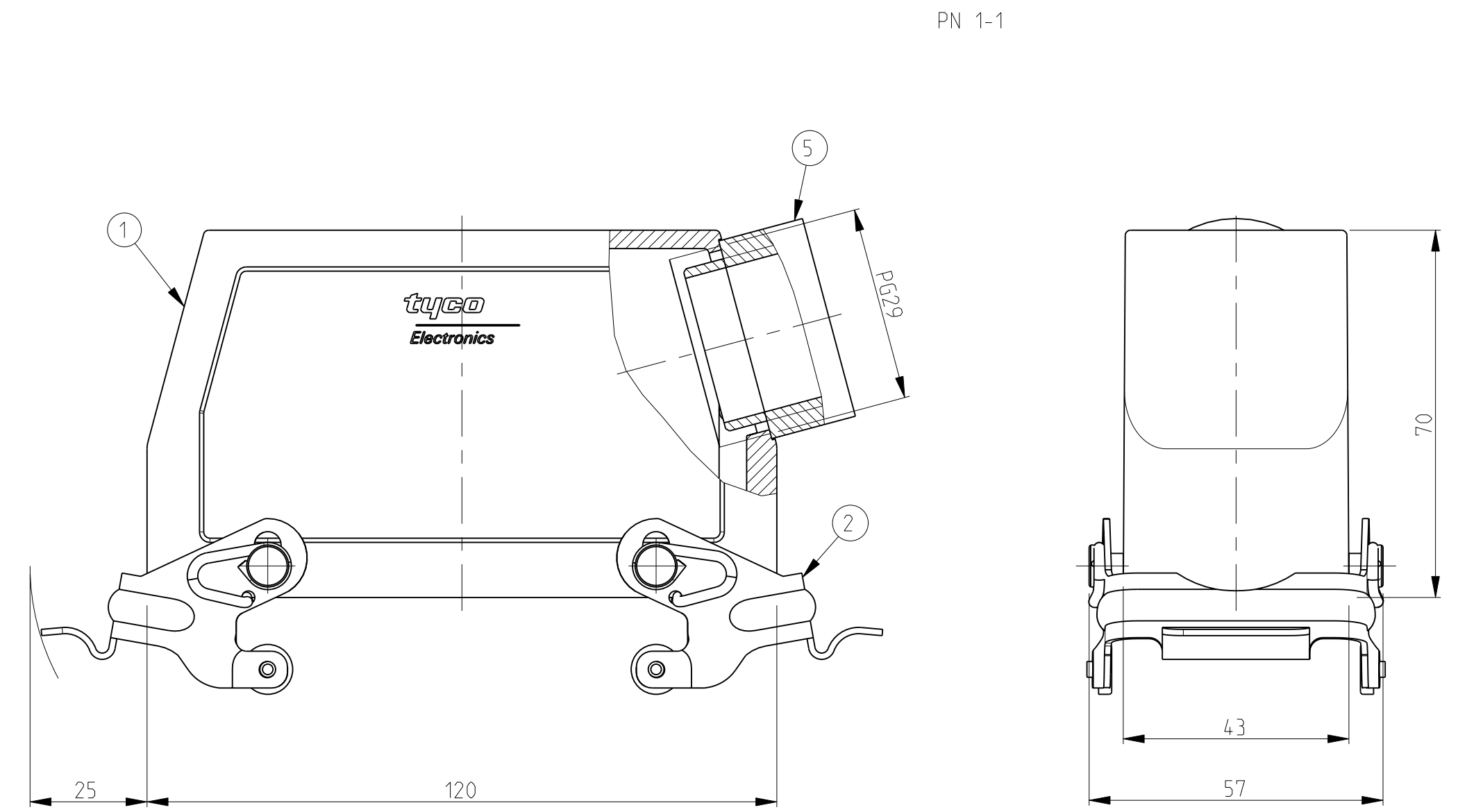
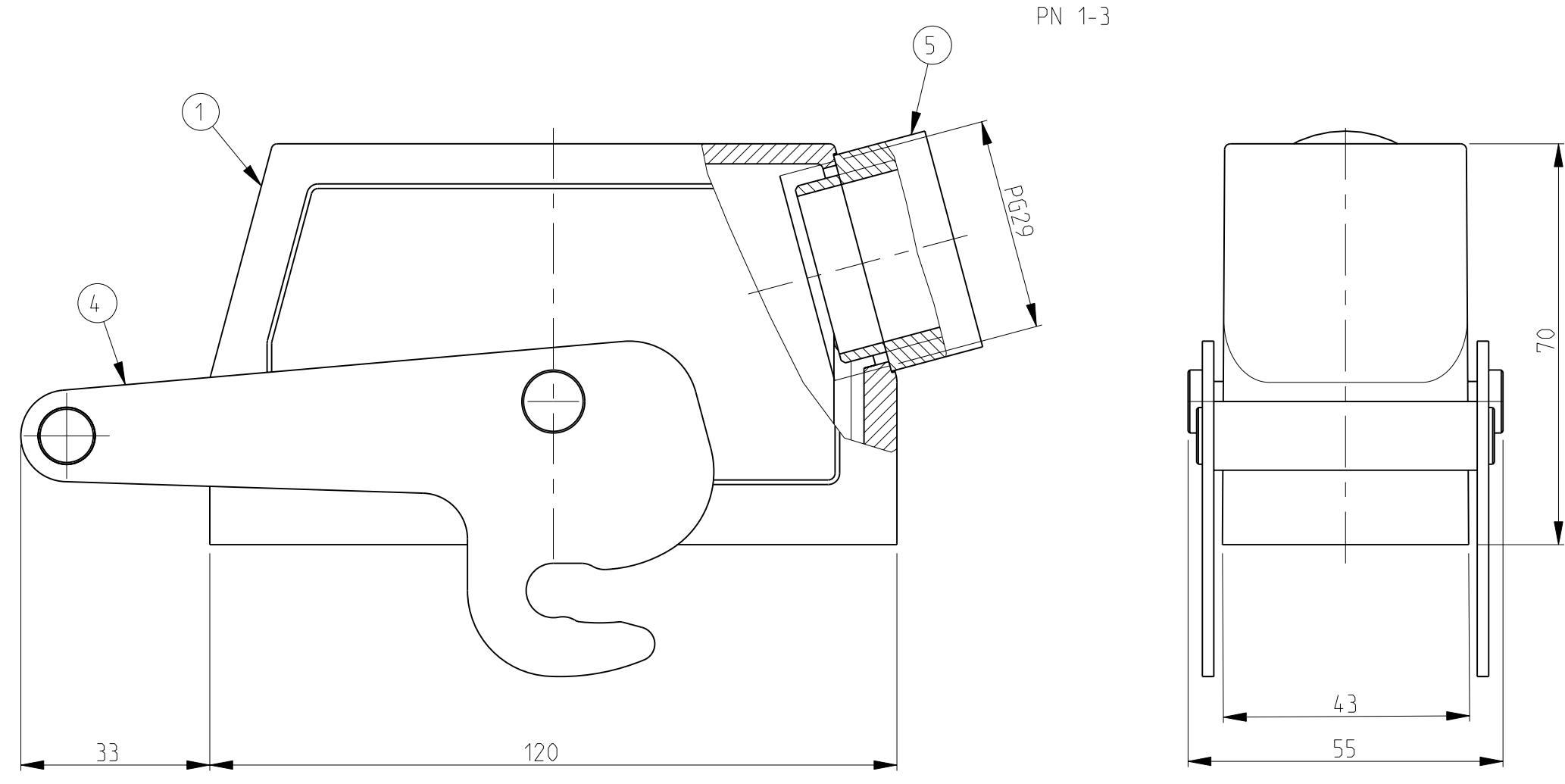
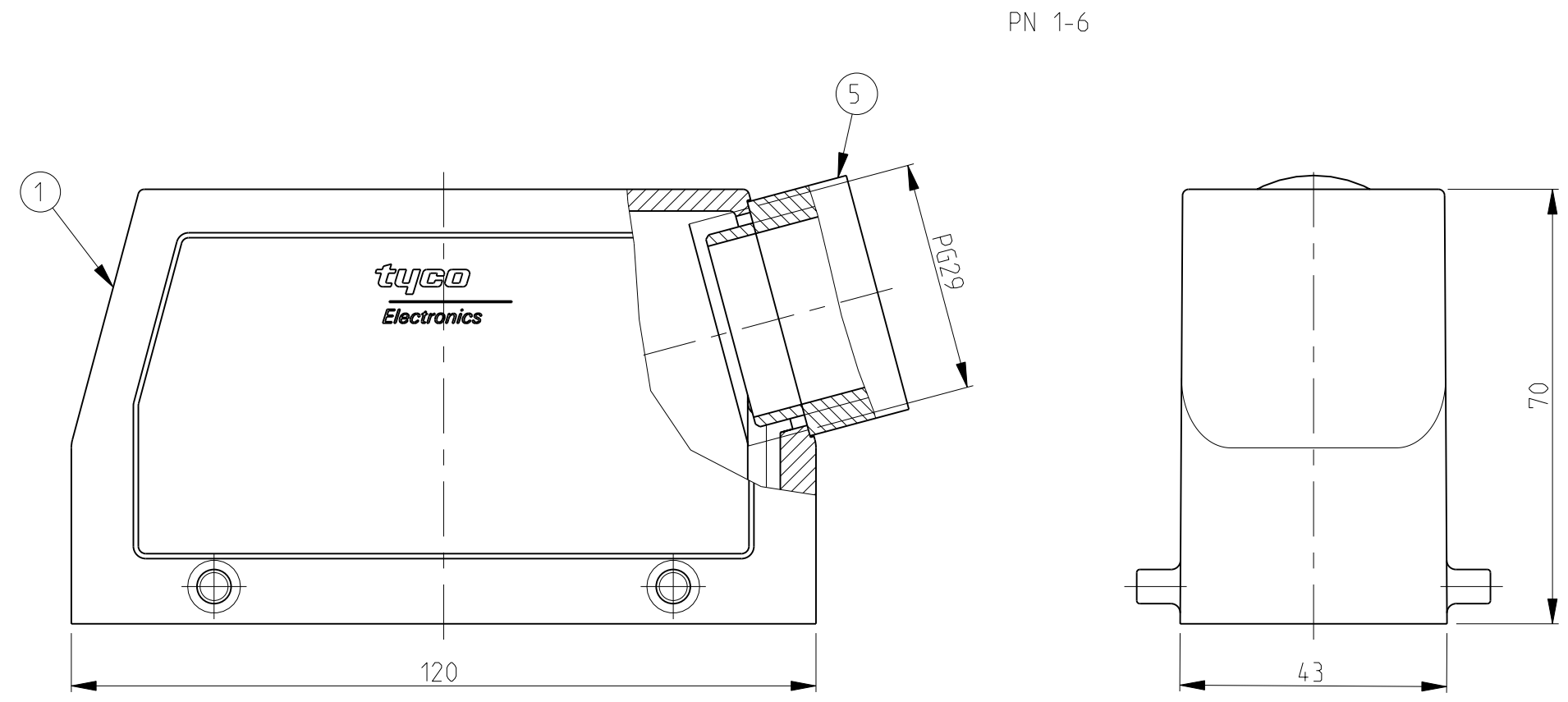
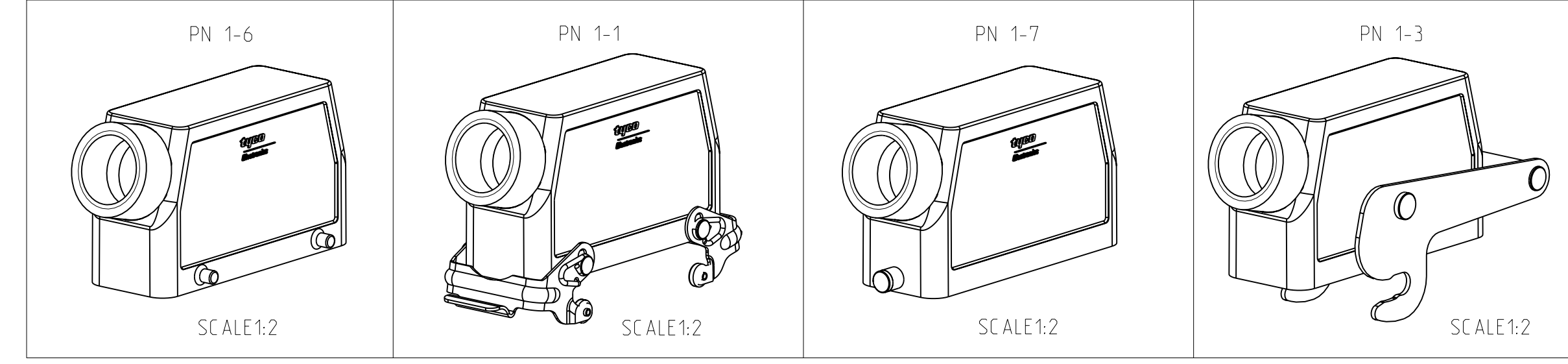
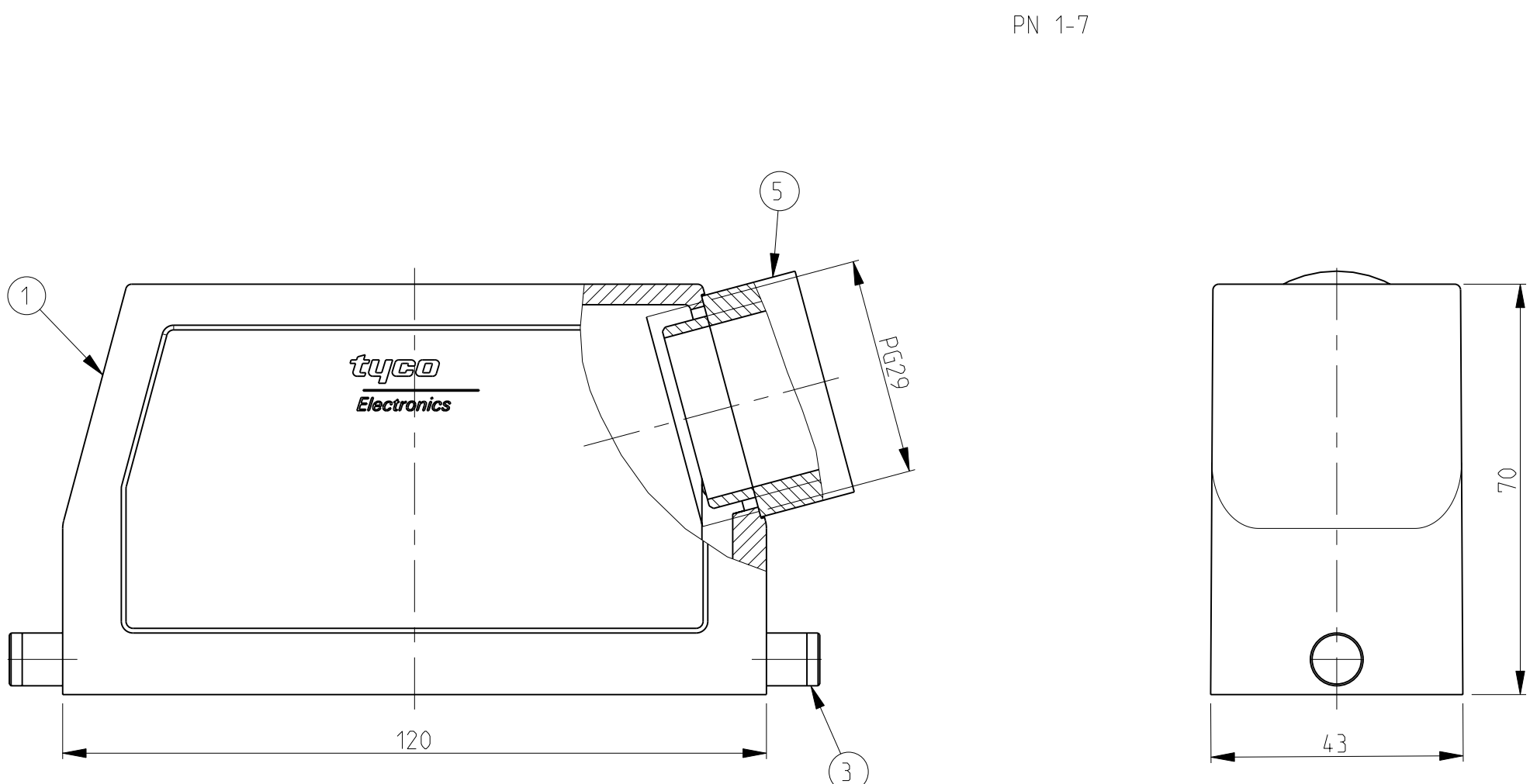


LOC	DIST	REVISIONS			
REV	DATE	DESCRIPTION	DATE	DWN	APVD
A1	-				
A2		Released as per ECR-07-019955	22.08.07	SK	TS



- NOTES.
- 1 Material:Housing:Aluminium Diecasting Alloy
 - 2 Surface:Varnish grey
 - 3 Varnish on the inside not necessary
 - 4 Packaging
Quantity 5 Pieces in a box



QTY	REV	DESCRIPTION	MATERIAL	SURFACE	COLOR	ITEM NO	REMARKS		
1	1	1	Adaptor round	Brass	Nickel plated	Blue	5 PG29		
1	1	1	ZB-Central clip	Steel	Zinc plated	Blue	4 -		
2	2	1	LB-Clip bolt	Steel	Zinc plated	Blue	3 -		
		2	Locking clip	Steel	Zinc plated	Blue	2 -		
1	1	1	1	HB Hood	Aluminium	-	Grey	1 -	
1-3	1-7	1-1	1-6	DESCRIPTION	MATERIAL	SURFACE	COLOR	ITEM NO	REMARKS
ORDERING TEXT									
HB.24.STS.1.29.Z									
HB.24.STS-VS.1.29.Z									
HB.24.STS-GR.1.29.Z									
HB-Z.24.STS-ZB.1.29.Z									

DIMENSIONS: mm		TOLERANCES UNLESS OTHERWISE SPECIFIED: 0 - 0.10 mm 1 - 0.15 mm 2 - 0.20 mm 3 - 0.30 mm 4 - 0.40 mm ANGLES ±		DWN: Schneider 28.01.2003 CHK: Schweiger 28.01.2003		Tyco Electronics Tyco Electronics,AMP.GmbH D-53819,Neunkirchen,Germany	
MATERIAL:		FINISH:		PRODUCT SPEC: 108-74001 108-74003		NAME: Hood HB.24.STS.1.29.Z	
APPLICATION SPEC: 114-74001 114-74004		WEIGHT:		SIZE: CAGE CODE: DRAWING NO: A 00779 C=1102318		RESTRICTED TO:	
CUSTOMER DRAW ING				SCALE: 1:1		SHEET 1 OF 1 REV: A2	