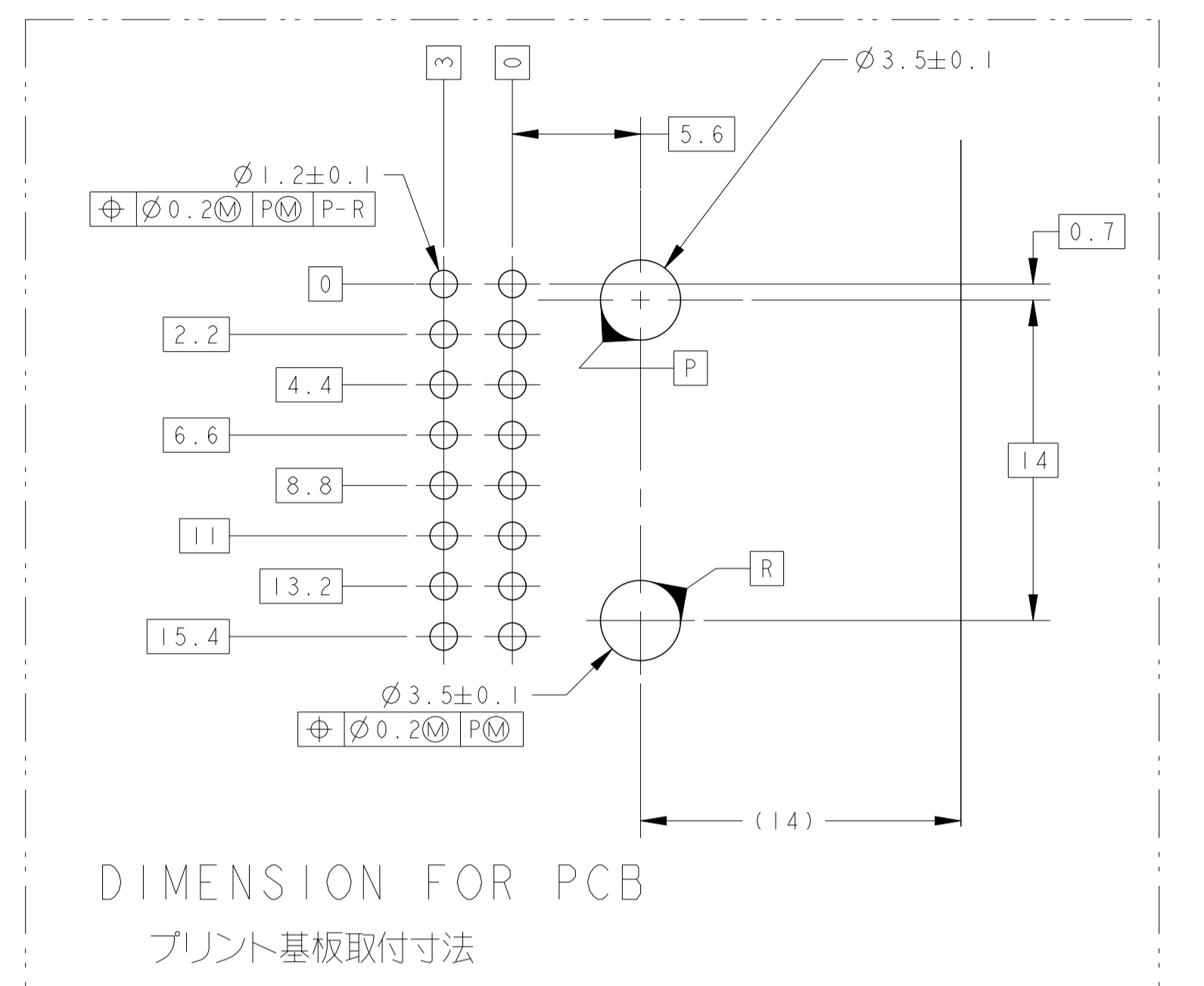
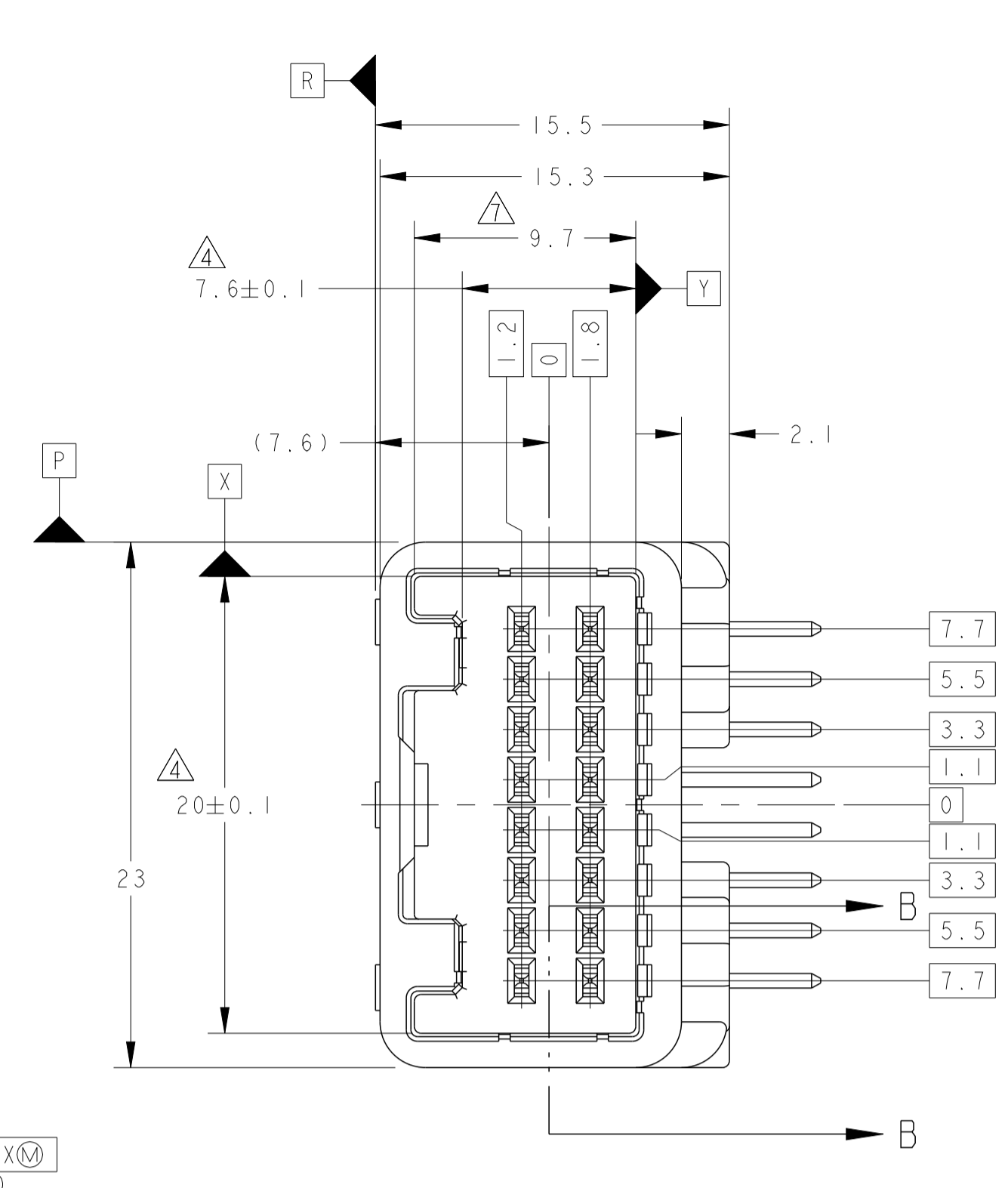
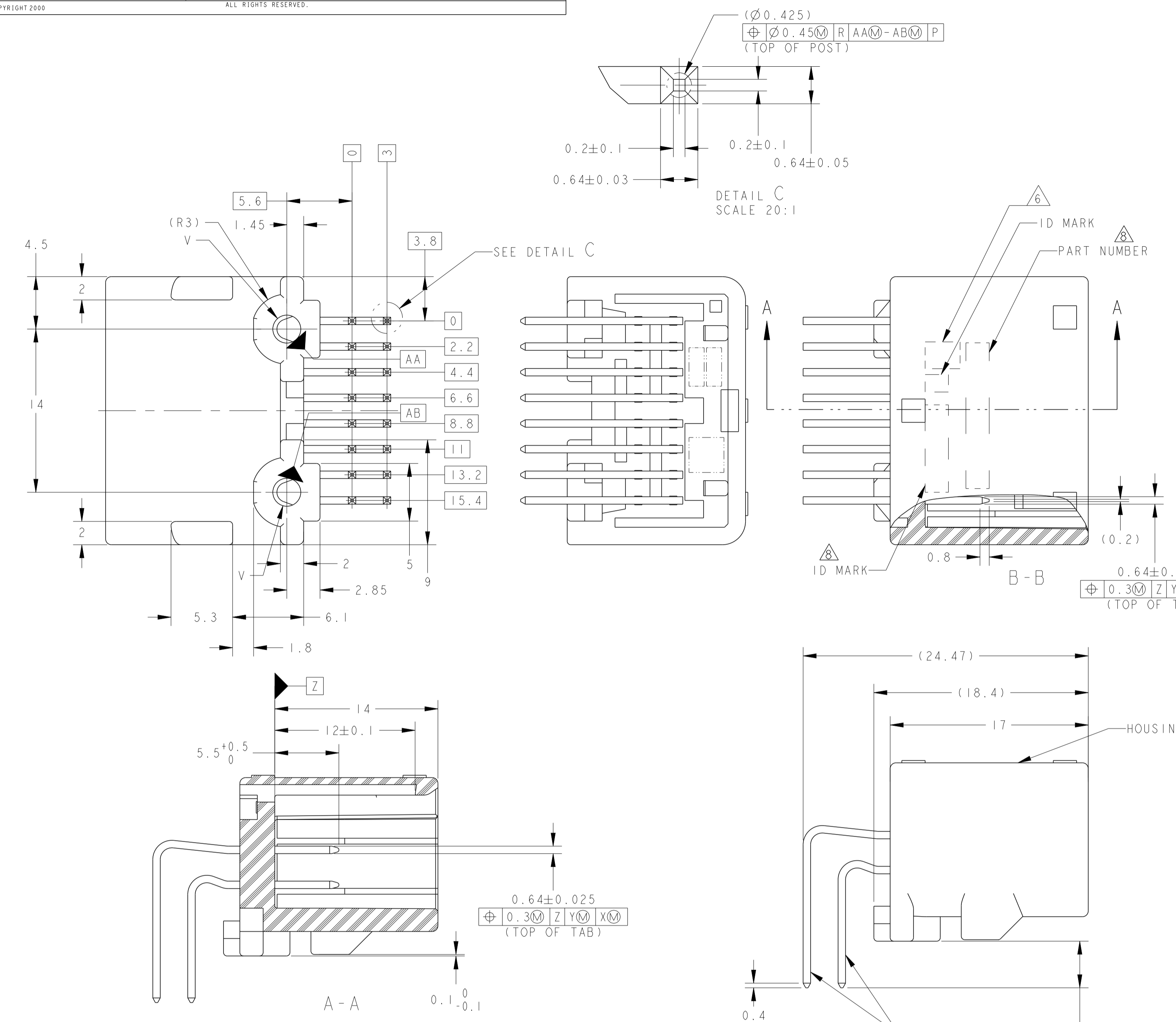


| REVISONS |            | DATE          | OWN       | APVD       |
|----------|------------|---------------|-----------|------------|
| C2       | ADDED 1--9 | ECR-12-012341 | 10-Apr-13 | K, S, Y, F |
| C3       | REVISED    | ECR-13-006139 | 11APR2013 | TS, HY     |
| C4       | REVISED    | ECR-16-003439 | 16MAR2017 | KF, TK     |



1. 嵌合相手ハウジング型番: TABLE-1 参照  
プラグハウジングアセンブリと  
支障なく嵌合すること
  2. 推奨取付ねじ: JIS B1115, B1122タッピングねじ,  
ねじ2種, ねじ径3, 長さ: TABLE-4参照  
ねじ締めトルク(参考値): 0.392N・m REF
  3. ねじ締めトルク(参考値): 0.392N・m REF
- △ Z より6mmの位置で測定。  
5. 本図の取扱いについては、取扱説明書 No.: 411-5928に従うこと
- △ コンタクトは上錫処理 ; 表参照  
△ Z より2mmの位置で測定。  
△ ID MARK, PART NUMBER を表示  
△ 回路番号は FIG. 1 参照。  
△ 金のめっき位置: TABLE-2 参照。  
△ ピン抜きアイテム。回路番号は FIG. 1及びTABLE-3参照。
1. PLUG HOUSING TO BE MATED ; SEE TABLE-1.  
TO BE MATED SMOOTHLY WITH THE PLUG HOUSING ASSEMBLY
  2. RECOMMENDED SCREW : PAN-HEADED,  
TYPE 2 TAPPING SCREW, NOMINAL DIAMETER 3mm  
LENGTH; SEE TABLE-4 (JIS B1115, B1122).
  3. FASTENING TORQUE FOR SCREW (REF) : 0.392N・m REF.
- △ MEASURED AT 6mm FROM Z  
5. AS FOR THE HANDLING OF THIS PROJECT,  
FOLLOW THE INSTRUCTION SHEET No.: 411-5928
- △ IDENTIFICATION MARK FOR THE CONTACT FINISH ;  
SEE TABLE  
△ MEASURED AT 2mm FROM Z  
△ ID MARK, PART NUMBER INDICATED  
△ CIRCUIT NUMBER: SEE FIG. 1  
△ GOLD PLATING POSITION: SEE TABLE-2.  
△ SEE FIG. 1 AND TABLE-3 FOR AVAILABLE CIRCUIT.

TABLE-4

| プリント基板板厚(mm)<br>THICKNESS OF PCB(mm)       | 1.2 | 1.6 |
|--|-----|-----|
| 固定用ねじ長さ(mm)<br>NOMINAL LENGTH OF SCREW(mm) | 5   | 6   |

TABLE-3

| CIRCUIT NUMBER | PART NUMBER |
|----------------|-------------|
| 1, 8, 9, 12    | I-1318382-7 |
| 1, 8, 9, 12    | I-1318382-5 |

TABLE-2

| GOLD PLATING POSITION | PART NUMBER |
|-----------------------|-------------|
| 6, 8, 12              | I-1318382-9 |
| 7, 8, 15, 16          | I-1318382-8 |
| 1~16                  | 6318382-6   |
| 1~16                  | 6318382-5   |
| 1~16                  | 6318382-3   |
| 1, 8, 9, 12           | I-1318382-7 |
| 1~16                  | I-1318382-6 |
| 6, 8, 12              | I-1318382-4 |
| 1~16                  | I-1318382-1 |
| 1~16                  | 1318382-3   |

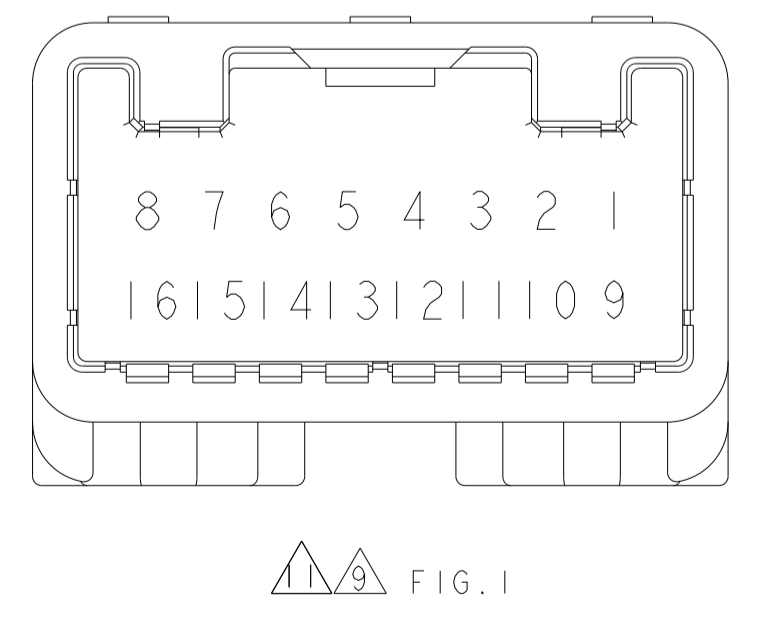


TABLE-1

| POS.<br>極数 | TYPE  | FEMALE HSG<br>メスハウジング<br>TE P/N |
|------------|-------|---------------------------------|
| 16         | CRIMP | I318386<br>I717109              |
| 16         | IDC   | I318690<br>I318694              |

| MARKING<br>マーキング | WEIGHT (g)<br>質量 | V     | OUTER<br>外装         | INNER<br>内装                | SOLDERING SIDE<br>半田付側 | CONTACT FINISH<br>接点処理                            | MATERIAL<br>材料 | COLOR<br>色 | PART NUMBER<br>製品型番 |
|------------------|------------------|-------|---------------------|----------------------------|------------------------|---|----------------|------------|---------------------|
|                  |                  |       |                     |                            |                        |   |                |            |                     |
| 11               | 4.7              | ∅2.4  | PAPER BOX<br>ダンボール箱 | PLASTIC TUBE<br>プラスチックチューブ | SELECTIVE-TIN (MATTE)  | SELECTIVE-TIN (BRIGHT) × 12<br>SELECTIVE GOLD × 4 | PBT GF15       | NATURAL    | I-1318382-8         |
| 62               | 4.7              | ∅2.4  | PAPER BOX<br>ダンボール箱 | PLASTIC TUBE<br>プラスチックチューブ | SELECTIVE-TIN (MATTE)  | SELECTIVE GOLD × 16                               | PBT GF15       | NATURAL    | 6318382-6           |
| 62               | 4.7              | ∅2.4  | PAPER BOX<br>ダンボール箱 | PLASTIC TUBE<br>プラスチックチューブ | SELECTIVE-TIN (MATTE)  | SELECTIVE GOLD × 16                               | PBT GF15       | BLACK      | 6318382-5           |
| 62               | 4.7              | ∅2.4  | PLASTIC BOX<br>差し箱  | PLASTIC TUBE<br>プラスチックチューブ | SELECTIVE-TIN (MATTE)  | SELECTIVE GOLD × 16                               | PBT GF15       | NATURAL    | 6318382-3           |
| 10               | 3.0              | ∅2.63 | PLASTIC BOX<br>差し箱  | PLASTIC TUBE<br>プラスチックチューブ | SELECTIVE-TIN (MATTE)  | SELECTIVE GOLD × 4                                | SPS GF17       | NATURAL    | I-1318382-7         |
| 7                | 4.1              | ∅2.63 | PAPER BOX<br>ダンボール箱 | PLASTIC TUBE<br>プラスチックチューブ | SELECTIVE-TIN (MATTE)  | SELECTIVE GOLD × 16                               | SPS GF17       | NATURAL    | I-1318382-6         |
| 9                | 3.0              | ∅2.63 | PLASTIC BOX<br>差し箱  | PLASTIC TUBE<br>プラスチックチューブ | SELECTIVE-TIN (MATTE)  | SELECTIVE TIN (BRIGHT) × 4                        | SPS GF17       | NATURAL    | I-1318382-5         |
| 8                | 4.1              | ∅2.63 | PAPER BOX<br>ダンボール箱 | PLASTIC TUBE<br>プラスチックチューブ | SELECTIVE-TIN (MATTE)  | SELECTIVE-TIN (BRIGHT) × 13<br>SELECTIVE GOLD × 3 | SPS GF17       | NATURAL    | I-1318382-9         |
| 8                | 4.1              | ∅2.63 | PLASTIC BOX<br>差し箱  | PLASTIC TUBE<br>プラスチックチューブ | SELECTIVE-TIN (MATTE)  | SELECTIVE-TIN (BRIGHT) × 13<br>SELECTIVE GOLD × 3 | SPS GF17       | NATURAL    | I-1318382-4         |
| 5                | 4.7              | ∅2.4  | PAPER BOX<br>ダンボール箱 | PLASTIC TUBE<br>プラスチックチューブ | SELECTIVE-TIN (MATTE)  | SELECTIVE TIN (BRIGHT) × 16                       | PBT GF15       | BLACK      | I-1318382-3         |
| 5                | 4.1              | ∅2.63 | PLASTIC BOX<br>差し箱  | PLASTIC TUBE<br>プラスチックチューブ | SELECTIVE-TIN (MATTE)  | SELECTIVE-TIN (BRIGHT) × 16                       | SPS GF17       | NATURAL    | I-1318382-2         |
| 7                | 4.1              | ∅2.63 | PLASTIC BOX<br>差し箱  | PLASTIC TUBE<br>プラスチックチューブ | SELECTIVE-TIN (MATTE)  | SELECTIVE GOLD × 16                               | SPS GF17       | NATURAL    | I-1318382-1         |
| 6                | 4.7              | ∅2.4  | PAPER BOX<br>ダンボール箱 | PLASTIC TUBE<br>プラスチックチューブ |                        | PRE-TIN × 16                                      | PBT GF15       | BLACK      | I-1318382-0         |
| 6                | 4.7              | ∅2.4  | PLASTIC BOX<br>差し箱  | PLASTIC TUBE<br>プラスチックチューブ |                        | PRE-TIN × 16                                      | PBT GF15       | BLACK      | 1318382-9           |
| 5                | 4.1              | ∅2.63 | PAPER BOX<br>ダンボール箱 | PLASTIC TUBE<br>プラスチックチューブ | SELECTIVE-TIN (MATTE)  | SELECTIVE-TIN (BRIGHT) × 16                       | SPS GF17       | NATURAL    | 1318382-8           |
| 3                | 4.7              | ∅2.4  | PAPER BOX<br>ダンボール箱 | PLASTIC TUBE<br>プラスチックチューブ |                        | POST-TIN × 16                                     | PBT GF15       | NATURAL    | 1318382-4           |
| 2                | 4.7              | ∅2.4  | PLASTIC BOX<br>差し箱  | PLASTIC TUBE<br>プラスチックチューブ | TIN-LEAD               | SELECTIVE GOLD × 16                               | PBT GF15       | NATURAL    | 1318382-3           |
| 1                | 4.7              | ∅2.4  | PAPER BOX<br>ダンボール箱 | PLASTIC TUBE<br>プラスチックチューブ |                        | PRE-TIN × 16                                      | PBT GF15       | NATURAL    | 1318382-2           |
| 1                | 4.7              | ∅2.4  | PLASTIC BOX<br>差し箱  | PLASTIC TUBE<br>プラスチックチューブ |                        | PRE-TIN × 16                                      | PBT GF15       | NATURAL    | 1318382-1           |
| 6                | WEIGHT (g)<br>質量 | V     | OUTER<br>外装         | INNER<br>内装                | SOLDERING SIDE<br>半田付側 | CONTACT FINISH<br>接点処理                            | MATERIAL<br>材料 | COLOR<br>色 | PART NUMBER<br>製品型番 |

THIS DRAWING IS A CONTROLLED DOCUMENT.

DIMENSIONS: mm

TOLERANCES UNLESS OTHERWISE SPECIFIED:  
一般公差 ±0.3

MATERIAL: CONTACT: BRASS, HOUSING: SEE TABLE

FINISH: SEE TABLE

APPROVED: N. YASUDA, N. SAI

DATE: 24JUL01, 24JUL01, 24JUL01

PRODUCT SPEC: 108-5668

APPLICATION SPEC: 114-5250

WEIGHT: SEE TABLE

CUSTOMER DRAWING

SCALE: 4:1

SHEET: 1 OF 2

REV: C4

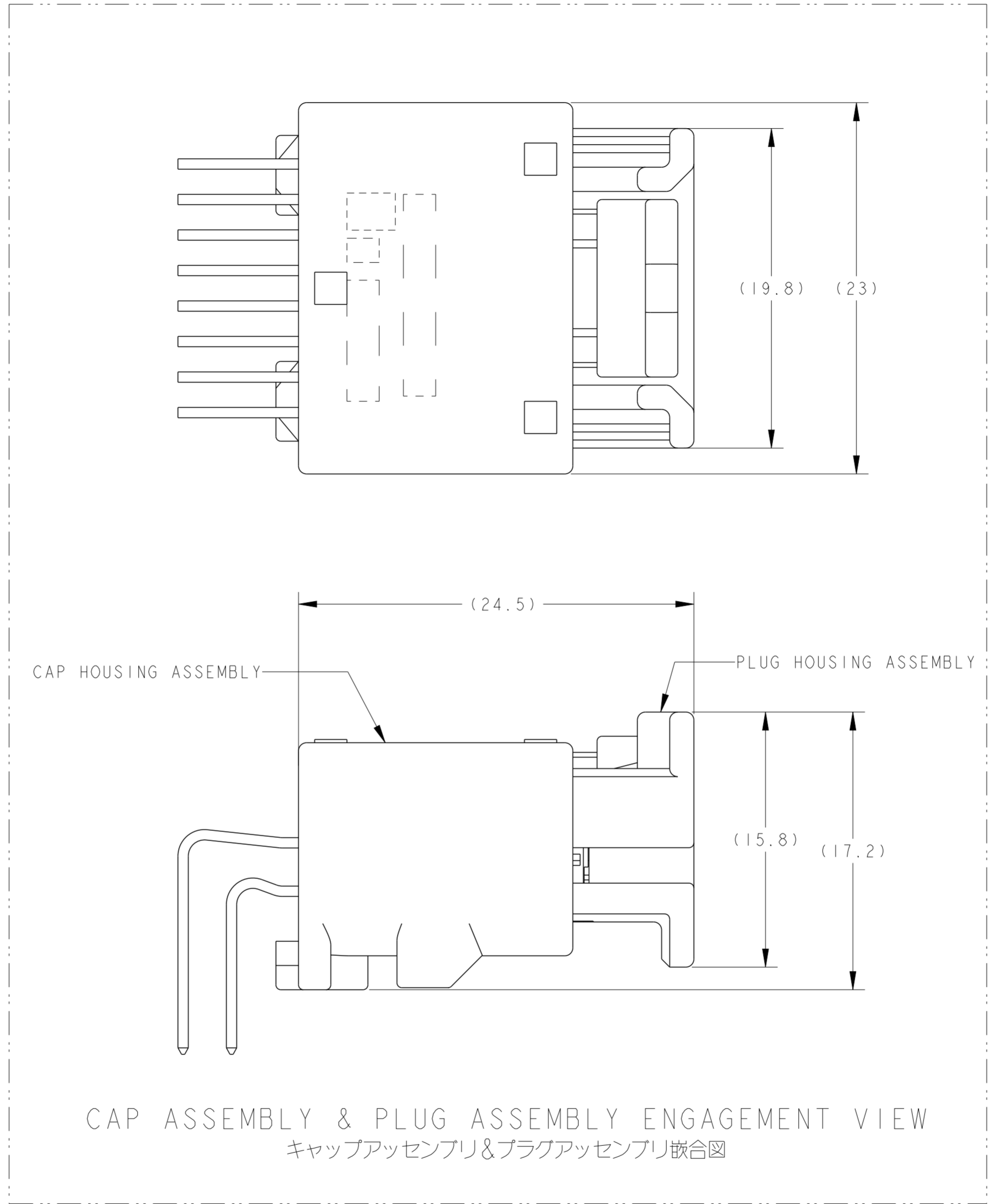
STE TE Connectivity

025 SERIES 16 POSITION (PCB H-TYPE) CAP HOUSING ASSEMBLY

SIZE: A1, CAGE CODE: 00779, DRAWING NO: 1318382

THIS DRAWING IS UNPUBLISHED. RELEASED FOR PUBLICATION 2017  
 © COPYRIGHT 2017 ALL RIGHTS RESERVED.

| LOC | DIST | REVISIONS |     |                  |      |     |      |
|-----|------|-----------|-----|------------------|------|-----|------|
| J   | -    | P         | LTR | DESCRIPTION      | DATE | DWN | APVD |
|     |      | -         |     | SEE SHEET 1 OF 2 | -    | -   | -    |
|     |      |           |     |                  |      |     |      |
|     |      |           |     |                  |      |     |      |



|  |  |                   |         |   |  |
|--|--|-------------------|---------|---|--|
| THIS DRAWING IS A CONTROLLED DOCUMENT. |  | DWN<br>Y. NOGUCHI | 24JUL01 | <b>STE</b> TE Connectivity  |  |
| DIMENSIONS:<br>単位: 桁<br>mm             |  | CHK<br>N. YASUDA  | 24JUL01 |   |  |
| TOLERANCES UNLESS OTHERWISE SPECIFIED: |  | APVD<br>N. SAI    | 24JUL01 | NAME<br>025 SERIES 16 POSITION (PCB H-TYPE)<br>CAP HOUSING ASSEMBLY |  |
| 0 PLC ±-                               |  | PRODUCT SPEC      |         | SIZE CAGE CODE DRAWING NO<br>A2 00779 C-1318382                     |  |
| 1 PLC ±0.1                             |  | APPLICATION SPEC  |         | RESTRICTED TO   |  |
| 2 PLC ±0.01                            |  |                   |         | -   |  |
| 3 PLC ±0.001                           |  | WEIGHT            |         | -   |  |
| 4 PLC ±0.0001                          |  | CUSTOMER DRAWING  |         | -   |  |
| ANGLES ±1°00'                          |  | SCALE             | 4:1     | SHEET 2 OF 2 REV C4   |  |
| FINISH 仕上                              |  |                   |         |   |  |