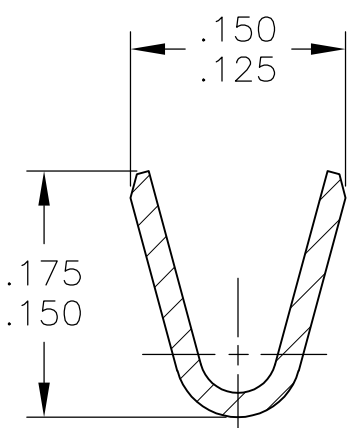
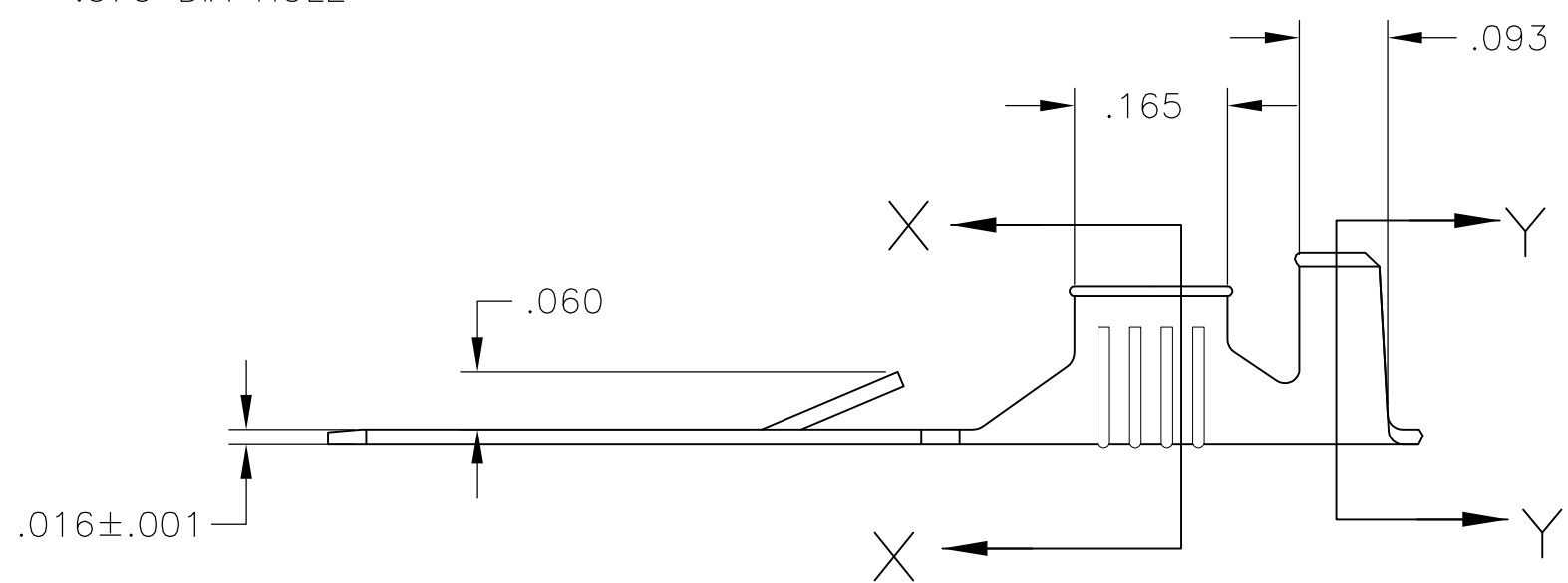
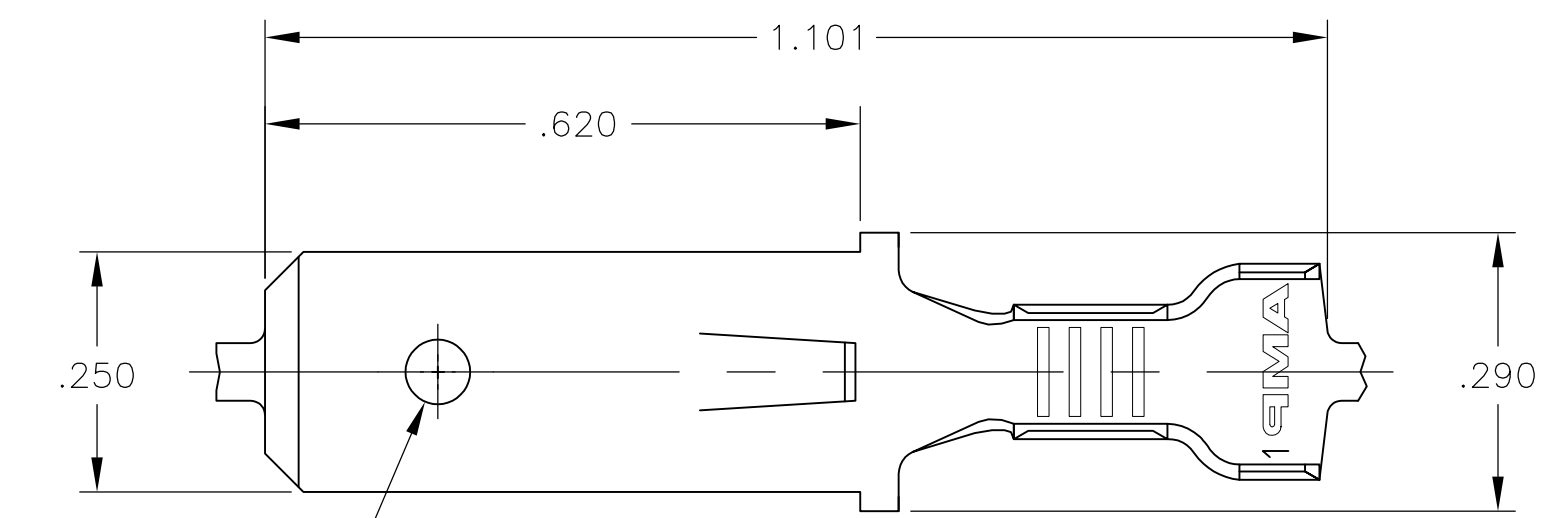


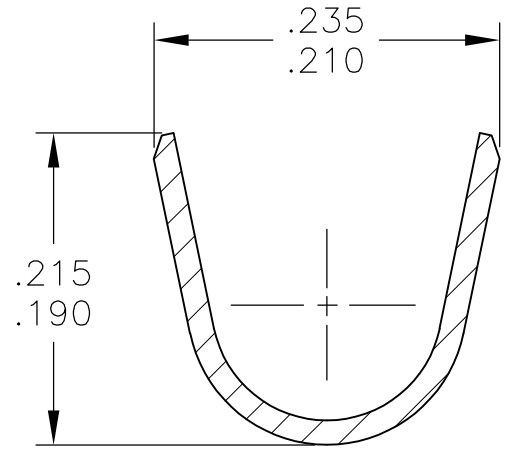
THIS DRAWING IS UNPUBLISHED. RELEASED FOR PUBLICATION
 © COPYRIGHT - By - ALL RIGHTS RESERVED.

LOC	DIST	REVISIONS			
P	LTR	DESCRIPTION	DATE	DWN	APVD
AF	50	Z	REVISED PER ECR-11-018063	21DEC11	KH PD

- 1 FOREIGN PRODUCTION ONLY.
- 2 CONTINUOUS STRIP ON REELS.
- 3 WIRE SIZE IS #18-#14 AWG
- 4 INSULATION RANGE IS .120-.145 DIA



SECTION X-X
SCALE 8:1



SECTION Y-Y
SCALE 8:1

OBSOLETE	SILVER	42580-3
	TIN	42580-2
OBSOLETE		1 42580-1
	FINISH	PART NUMBER

THIS DRAWING IS A CONTROLLED DOCUMENT.		DWN	JR RUTH	12/17/90	TE Connectivity				
DIMENSIONS: INCHES		CHK	MS FEHER	12/17/90				NAME	
		TOLERANCES UNLESS OTHERWISE SPECIFIED:		APVD		D REINER		TAB, FASTIN-FASTON, .250 SERIES	
MATERIAL		FINISH		PRODUCT SPEC		APPLICATION SPEC		RESTRICTED TO	
#2H BRASS		SEE TABLE		-		-		-	
CUSTOMER DRAWING				WEIGHT	-	SIZE	A3	CAGE CODE	00779
				SCALE		5:1		SHEET 1 OF 1	
				REV		Z		DRAWING NO	
				C-42580					