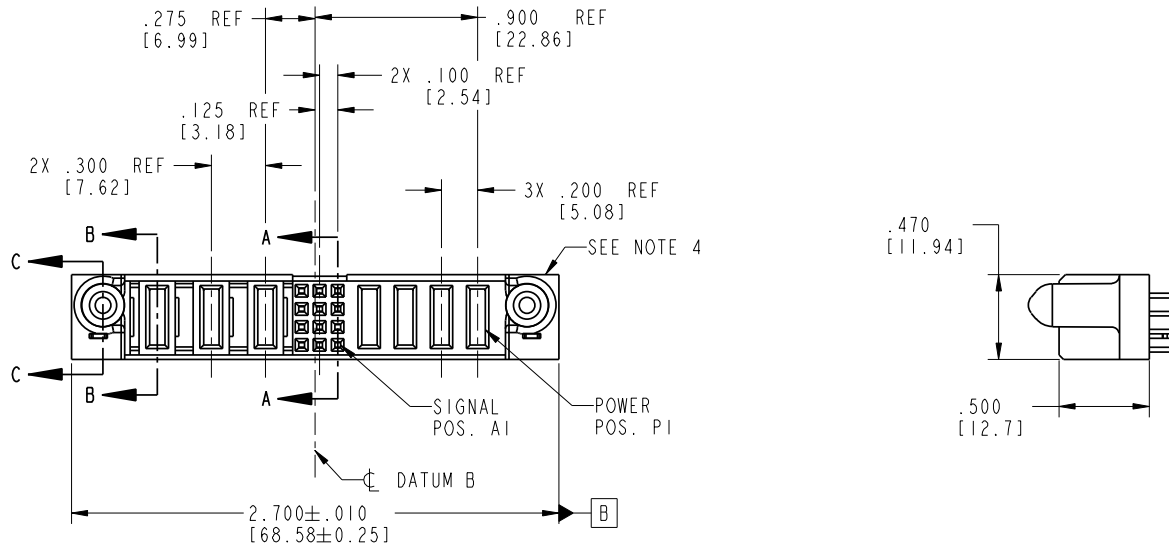


Tous droits strictement réservés. Reproduction ou communication à des tiers interdite sans quelque forme que ce soit sans autorisation écrite du propriétaire. Propriété de c FCI. Droits de reproduction FCI.



All rights strictly reserved. Reproduction or issue to third parties in any form without written authority from the proprietor. Property of FCI. Copyright FCI.

PRODUCT NO.	ROW S	POWER				SIGNAL			POWER				E1
		E2	P7	P6	P5	3	2	1	P4	P3	P2	P1	
51940-096-- NOTE 3	D C A												



CODE	DIM "M" MATING LENGTH	CONTACT TYPE
E	N/A [N/A]	SIGNAL
PA	.042 [1.07]	POWER
PD	.092 [2.34]	POWER
HA	N/A [N/A]	HOLD-DOWN

mat'l code				SEE NOTE 2		tolerances unless otherwise specified		CUSTOMER		FCI	
lir	ecn no.	dr	date	linear		.XX±.01/0.X±0.3		COPY		www.fciconnect.com	
A	V04-0748	TAB	07/21/04			.XXX±.005/0.XX±0.13		projection		title	
B	DG07-0068	RYAN	02/26/07	angles		.XXX±.0020/0.XXX±0.051				4P + 12S + 3ACP	
				dr	T. BRUNGARD	07/21/04		INCH/MM		product family	
				engr	M. GRAY	07/21/04		scale		PwrBlade	
				chr	M. GRAY	07/21/04		1:1		code	
				appd	M. GRAY	07/21/04				213	
sheet index		revision sheet		B	B	B	B			sheet	
		1 2		3	4					1 of 4	

cage code 22526

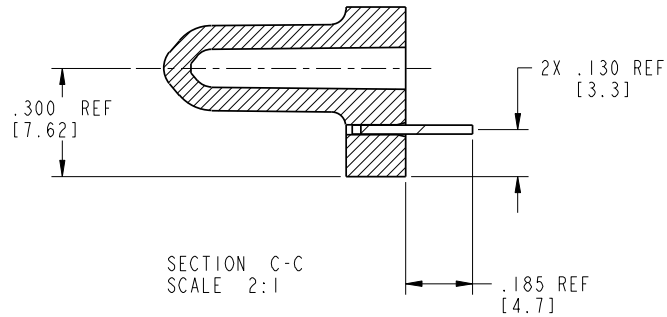
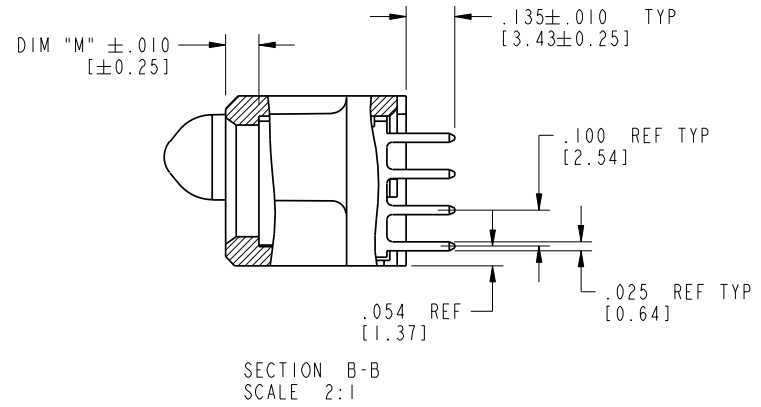
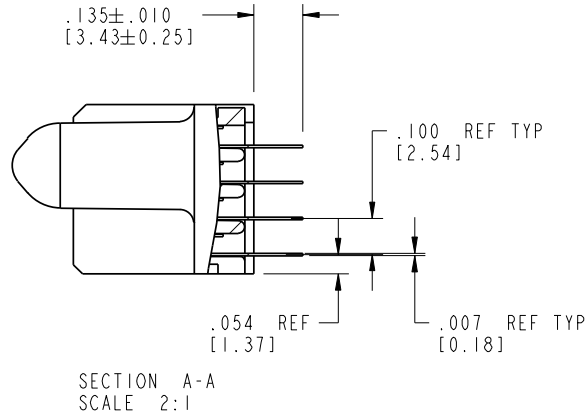
Pro/E

Tous droits strictement reserves. Reproduction ou communication a des tiers interdite sous quelque forme que ce soit sans autorisation écrite du propriétaire. Propriete de c FCI. Droits de reproduction FCI.



All rights strictly reserved. Reproduction or issue to third parties in any form whatever is not permitted without written authority from the proprietor. Property of FCI. Copyright FCI.

PRODUCT NUMBER  
51940-096\_\_  
NOTE 3



mat'l code SEE NOTE 2				tolerances unless otherwise specified		CUSTOMER		FCI	
lir	ecn no.	dr	date	linear	.XX±.01/0.X±0.3	COPY		www.fciconnect.com	
B				linear	.XXX±.005/0.XX±0.13	projection	title		4P + 12S + 3ACP
				linear	.XXX±.002/0.XXX±0.051	INCH/MM		VERTICAL SOLDER RECEIPT	
				angles	0°±2°	scale		product family	PwrBlade
				dr	T. BRUNGARD 07/21/04	1:1		size	A
				enrg	M. GRAY 07/21/04			dwg no	51940-096
				chr	M. GRAY 07/21/04			code	213
				appd	M. GRAY 07/21/04			sheet	2 of 4
sheet index	revision sheet								

cage code 22526

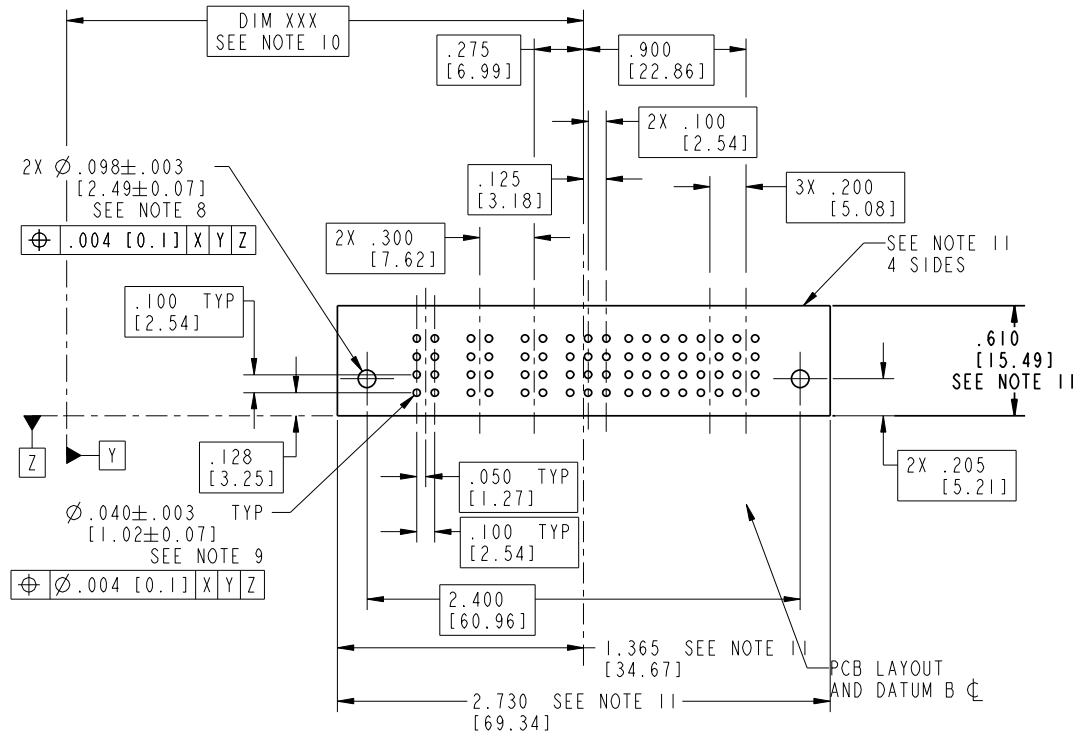
Pro/E

Tous droits strictement réservés. Reproduction ou communication à des tiers interdite sans quelque forme que ce soit sans autorisation écrite du propriétaire. Propriété de c FCI. Droits de reproduction FCI.



All rights strictly reserved. Reproduction or issue to third parties in any form whatsoever is not permitted without written authority from the proprietor. Property of FCI. Copyright FCI.

PRODUCT NUMBER  
51940-096\_\_  
NOTE 3



mat'l code SEE NOTE 2				tolerances unless otherwise specified		CUSTOMER		FCI	
lfr	ecr no.	dr	date	linear	.XX±.01/0.X±0.3	COPY		www.fciconnect.com	
B				angles	.XXX±.005/0.XX±0.13	projection	title		4P + 12S + 3ACP
				dr	.XXX±.002/0.XXX±0.051	INCH/MM		VERTICAL SOLDER RECEPT	
				enrg	0°±2°	scale		product family	PwrBlade
				chr		1:1		size	dwg no
				appd				51940-096	code
sheet index	revision sheet							213	sheet
								3 of 4	

cage code 22526

Pro/E

Tous droits strictement reserves. Reproduction ou communication a des tiers interdite sous quelque forme que ce soit sans autorisation écrite du propriétaire. Propriete de c FCI. Droits de reproduction FCI.



All rights strictly reserved. Reproduction or issue to third parties in any form whatever is not permitted without written authority from the proprietor. Property of FCI. Copyright FCI.

1 | 2

3 |

4

<b>PRODUCT NUMBER</b>
51940-096__
NOTE 3

NOTES:

1. DIMENSIONS AND TOLERANCES ARE IN ACCORDANCE WITH ASME Y14.5M, 1994 UNLESS OTHERWISE SPECIFIED.

CONNECTOR NOTES:

- ② HOUSING MATERIAL: UL 94 V-0 GLASS FILLED  
HIGH-TEMP THERMOPLASTIC  
POWER CONTACT MATERIAL: COPPER ALLOY  
SIGNAL PIN MATERIAL: COPPER ALLOY
  - 3. PLATING:  
SEE PRINT 10064183 FOR PLATING SPEC OF 51940-096; 51940-096LF
  - ④ MANUFACTURER'S NAME, P/N, AND DATE CODE TO APPEAR ON THIS SURFACE.
  - 5. PRODUCT SPECIFICATION GS-12-149.  
APPLICATION SPECIFICATION BUS-20-067.
  - 6. PACKAGED IN TRAYS.
- PCB NOTES:
- 7. ALL HOLE DIAMETERS ARE FINISHED HOLE SIZE.
  - ⑧ MOUNTING HOLES, WHERE APPLICABLE, ARE UNPLATED.
  - ⑨  $\varnothing .0453 \pm .0010$  [1.151  $\pm$  0.025] DRILLED HOLES PLATED WITH .0003 [0.008] MIN SnPb OR Sn OVER .001 [0.03] TO .003 [0.08] Cu PLATING TO ACHIEVE  $\varnothing .040 \pm .003$  [1.02  $\pm$  .07] HOLE.
  - ⑩ "DIM XXX" TO BE DETERMINED BY THE CUSTOMER.
  - ⑪ CONNECTOR KEEP-OUT ZONE.

A

A

B

B

mat'l code		SEE NOTE 2		tolerances unless otherwise specified		CUSTOMER		FCI		www.fciconnect.com		
lfr	ecr no.	dr	date	linear	.XX±.01/0.X±0.3	COPY		projection	title 4P + 12S + 3ACP VERTICAL SOLDER RECEPT			
B				angles	.XXX±.005/0.XX±0.13 .XXX±.002/0.XXX±0.051	INCH/MM				product family	PwrBlade	code
				dr	0° ± 2°	scale		size	dwg no	213		
				enrg	T. BRUNGARD 07/21/04	1:1		A	51940-096	sheet 4 of 4		
				chr	M. GRAY 07/21/04							
				appd	M. GRAY 07/21/04							
sheet index		revision sheet										

1 | 2

Pro/E

3 |

cage code 22526

4