

DK/EK

DK/EK-Series

HEAVY DUTY TOGGLE SWITCHES

The switch that can handle your heavy duty requirements. Single or double pole with wire lead or screw terminations, and ratings to 20A 125V 10A 250V, the ac/dc DK/EK-Series is the most heavy duty toggle switch in the Carling line. Its sturdy metal construction and stiff actuation force will withstand the abuses of virtually any stringent application. The quick make/quick break contact mechanism is ideal for high voltage DC applications.



Product Highlights:

- ♦ Ratings up to 20A 125V AC or DC
- ♦ Screw Term or Wire Lead terminations
- ♦ Quick Make / Quick Break contact mechanism
- ♦ Bat or Ball style toggle options

Typical Applications:

- ♦ Industrial Motor Control
- ♦ General Purpose



Dielectric Strength

UL/CSA: 1000V - live to dead metal parts & opposite polarity

Electrical Life

25,000 cycles

Mechanical Life

100,000 cycles

Operating Temperature

0°F to 150°F (-17.8°C to +65.6°C)

DK284 - **73**

¹
Base Part Number

²
Actuator Style

1 BASE PART NUMBER: SERIES / POLES / CIRCUITRY / RATING / TERMINATION

8A 250V, 16A 125V, 1 HP 125-250V
Screw Terminals Wire Leads

Single Pole
On-None-Off **DA284** **DA285**

Double Pole
On-None-Off **DK284** **DK285**

10A 250V, 20A 125V, 1 1/2 HP 125-250V
Screw Terminals Wire Leads

Single Pole
On-None-Off **EA204** **EA205**

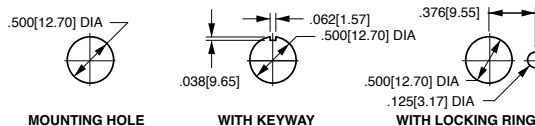
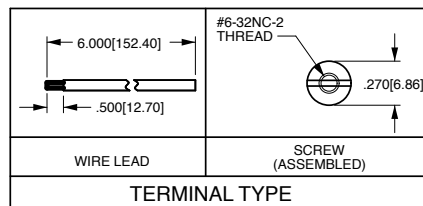
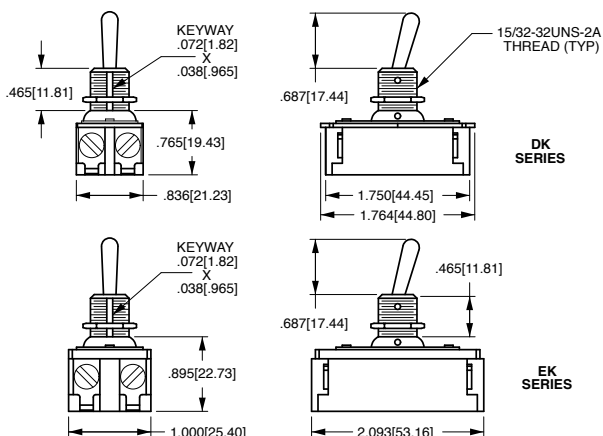
Double Pole
On-None-Off **EK204** **EK205**

2 ACTUATOR STYLE ¹

BAT STYLE TOGGLE
unsealed toggle length bushing length
73 0.687 0.465

BALL STYLE TOGGLE
unsealed toggle length bushing length
32 0.500 0.343

Notes:
¹ Additional toggle lengths available. Consult factory for details.



*Manufacturer reserves the right to change product specification without prior notice.

Authorized Sales Representatives and Distributors

Click on a region of the map below to find your local representatives and distributors or visit www.carlingtech.com/findarep.



About Carling

Founded in 1920, Carling Technologies is a leading manufacturer of electrical and electronic switches and assemblies, circuit breakers, electronic controls, power distribution units, and multiplexed power distribution systems. With four ISO registered manufacturing facilities and technical sales offices worldwide, Carling Technologies Sales, Service and Engineering teams do much more than manufacture electrical components, they engineer powerful solutions! To learn more about Carling please visit www.carlingtech.com/company-profile.

To view all of Carling's environmental, quality, health & safety certifications please visit www.carlingtech.com/environmental-certifications

Worldwide Headquarters

Carling Technologies, Inc.
60 Johnson Avenue, Plainville, CT 06062
Phone: 860.793.9281 **Fax:** 860.793.9231
Email: sales@carlingtech.com

Northern Region Sales Office: nrsm@carlingtech.com
Southeast Region Sales Office: sersm@carlingtech.com
Midwest Region Sales Office: mrsm@carlingtech.com
West Region Sales Office: wrsm@carlingtech.com
Latin America Sales Office: larsm@carlingtech.com

Asia-Pacific Headquarters

Carling Technologies, Asia-Pacific Ltd.,
Suite 1607, 16/F Tower 2, The Gateway,
Harbour City, 25 Canton Road,
Tsimshatsui, Kowloon, Hong Kong
Phone: Int + 852-2737-2277 **Fax:** Int + 852-2736-9332
Email: sales@carlingtech.com.hk

Shenzhen, China: shenzhen@carlingtech.com
Shanghai, China: shanghai@carlingtech.com
Pune, India: india@carlingtech.com
Kaohsiung, Taiwan: taiwan@carlingtech.com
Yokohama, Japan: japan@carlingtech.com

Europe | Middle East | Africa Headquarters

Carling Technologies LTD
4 Airport Business Park, Exeter Airport,
Clyst Honiton, Exeter, Devon, EX5 2UL, UK
Phone: Int + 44 1392.364422 **Fax:** Int + 44 1392.364477
Email: ltd.sales@carlingtech.com

Germany: gmbh@carlingtech.com
France: sas@carlingtech.com



Carling Technologies®

Innovative Designs. Powerful Solutions.