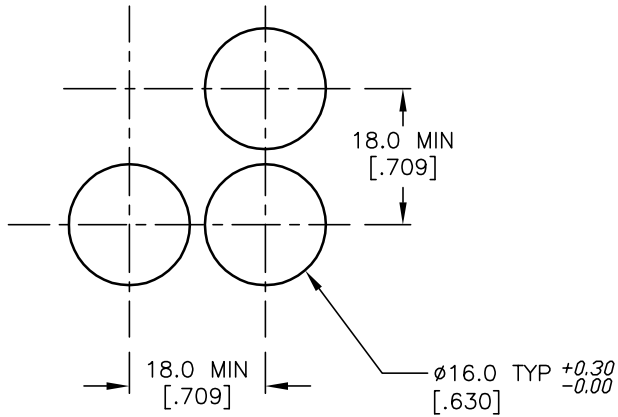
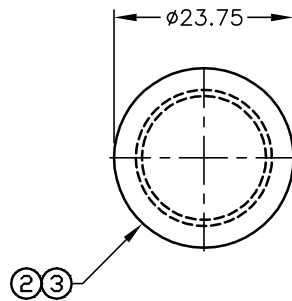


| ITEM | QTY.. | DWG. NO. | PART NO.                         |
|------|-------|----------|----------------------------------|
| 1    | 1     | F040014  | P16 OA R11                       |
| 2    | 1     | F050417  | 50-004-17 (RED LED)              |
| 3    | 1     | F051212  | 50-012-12 (RED LENS TRANSPARENT) |
| 4    | -     | SUPPLIED | P16 PLASTIC TERMINAL PROTECTOR   |

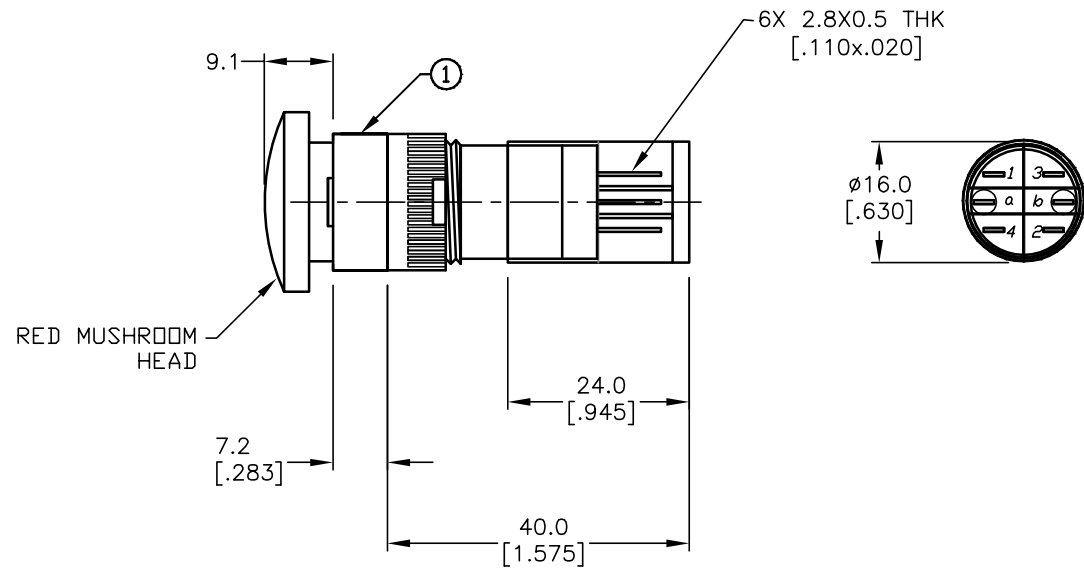


RECOMMENDED PANEL MOUNTING



1 0 0 2  
 3 0 0 4  
 a - (L) - b (+)

SPST  
CONTACT CONFIGURATION



NOTES:

1. ALL DIMENSIONS IN MM
2. GENERAL TOLERANCE: X.X=±0.4  
X.XX=±0.25
3. RATINGS: 5A @250V AC;  
8A @125V AC
4. CONTACT MATERIAL:  
COPPER ALLOY W/Silver Plating
- ▲ 5. LAMP VOLTAGE: 6V DC
6. ▲ DENOTES CRITICAL PARAMETER.

**E-SWITCH®**

|       |                |  |  |  |
|-------|----------------|--|--|--|
| TITLE | P160AR1HREDRED |  |  |  |
|-------|----------------|--|--|--|

|      |         |                         |          |      |
|------|---------|-------------------------|----------|------|
| A    | 13557   | RELEASED FOR PRODUCTION | 10/27/03 | AR   |
| REV. | ECN No. | DESCRIPTION             | DATE     | CHKD |

|       |          |    |         |     |
|-------|----------|----|---------|-----|
| SCALE | DATE     | DR | DWG     | REV |
| 1.5:1 | 10/27/03 | AR | XF0572P | A   |

THE INFORMATION CONTAINED IN THIS DOCUMENT IS PROPRIETARY TO E-SWITCH AND IS NOT TO BE COPIED OR TRANSFERRED