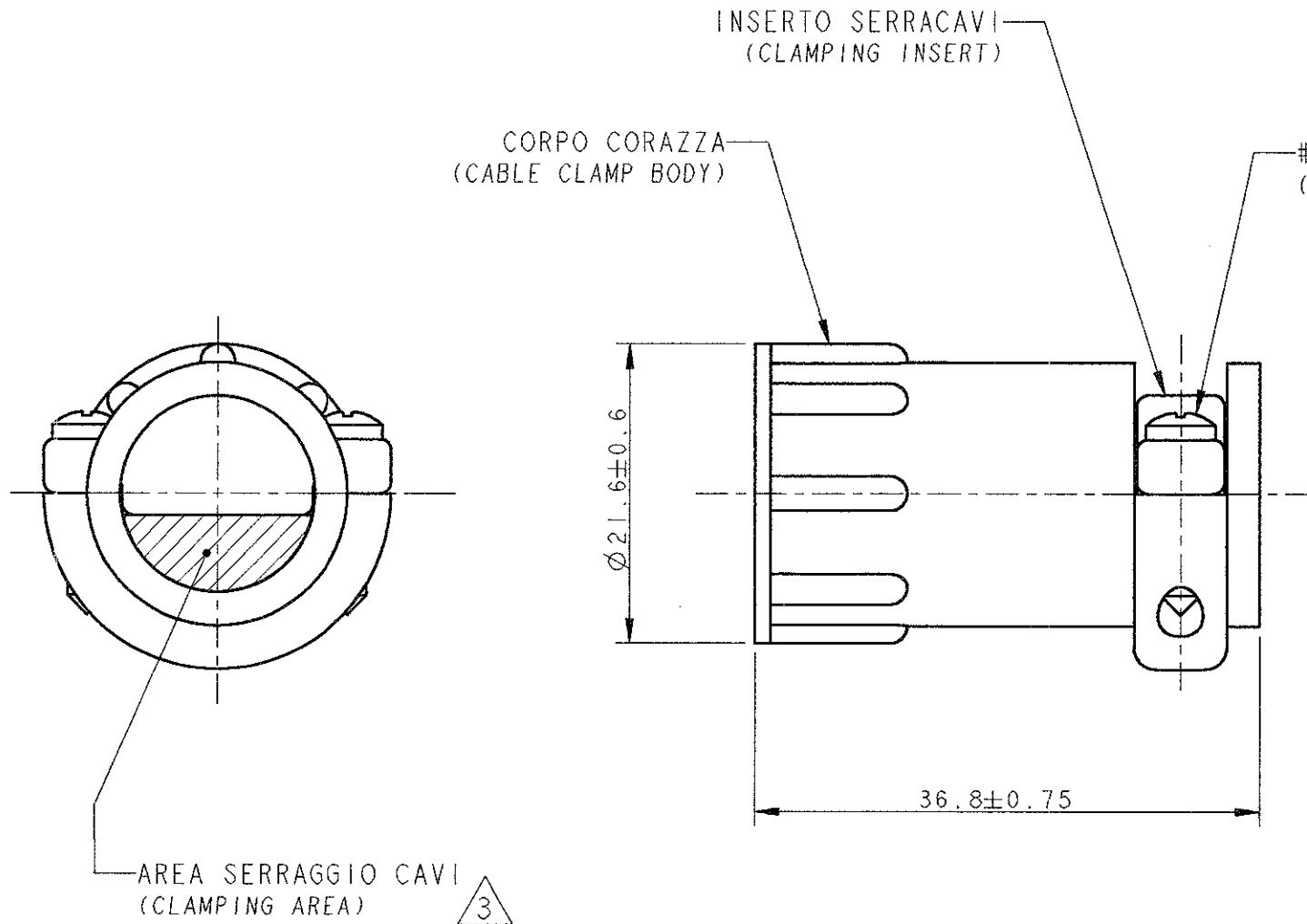


LOC	DIST	REVISIONS			
P	LTR	DESCRIPTION	DATE	DWN	APVD
		A1	REDRAWN, ET00-0298-00	17 Nov '00	RE GT
		B	Changed screw according to RoHS	28/07/05 ECR7789	AV GT



- 1) MATERIALE : TERMOPLASTICO, COLORE NERO
(MATERIAL : THERMOPLASTIC, BLACK COLOUR)
- 2) PARTICOLARI FORNITI NON ASSEMBLATI IN SACCHETTO DI PLASTICA
(PARTS PACKAGED UNASSEMBLED INTO A PLASTIC BAG)
- 3) L'AREA SERRAGGIO CAVI E' VARIABILE DA 6.45 A 103.9 mm²
IN FUNZIONE DEL TIPO E POSIZIONE DELL'INSERTO SERRACAVO
(CABLE CLAMPING AREA ADJUSTABLE FROM .010 TO .161 SQ. IN.
BY SELECTING AND REVERSING CLAMPING INSERTS)
- 4) QUESTO CONNETTORE E' RICONOSCIUTO E CERTIFICATO
(THIS CONNECTOR IS UL RECOGNIZED AND CSA CERTIFIED)
- 5) Ø MAX DEL FASCIO CAVI = 11.5 mm.
(MAXIMUM CABLE O.D. = 11.5 mm.)

P/N 182928-1 COME RAPPRESENTATO
(P/N 182928-1 AS SHOWN)

<small>THIS DRAWING IS A CONTROLLED DOCUMENT FOR AMP INCORPORATED. IT IS SUBJECT TO CHANGE AND THE CONTROLLING ENGINEERING ORGANIZATION SHOULD BE CONTACTED FOR THE LATEST REVISION.</small>		DWN R. FABRIS CHR - APVD C. TARTARI PRODUCT SPEC 108-10024 APPLICATION SPEC - WEIGHT - CUSTOMER DRAWING	14 NOV 2000 AMP Italia S.p.A. C.so F.lli Cervi, 15 COLLEGNO (TO)
DIMENSIONS: mm 	TOLERANCES UNLESS OTHERWISE SPECIFIED: 0 PLC ± 1 PLC ± ±0.3 2 PLC ± ± 3 PLC ± ± 4 PLC ± ± ANGLES ±2°	NAME C.P.C. CABLE CLAMP KIT SIZE II (LARGE)	SIZE A3 CAGE CODE 00779 DRAWING NO C-182928
MATERIAL	FINISH	SCALE	SHEET 1 OF 1 REV B